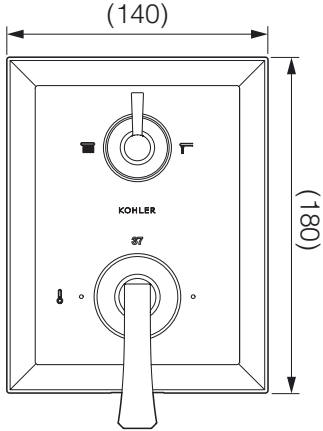
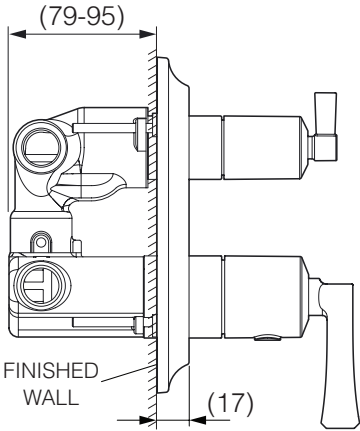


99966IN-4-**
B & S TRIM

ROUGH-IN DIMENSIONS (in mm)



PRESSURE & HOT INLET TEMPERATURE



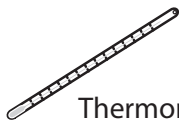
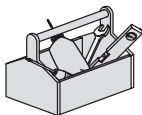
P (Bar) 0.5 < 3 < 5.5



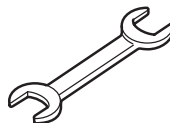
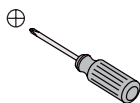
T (°C) < 65



TOOLS REQUIRED

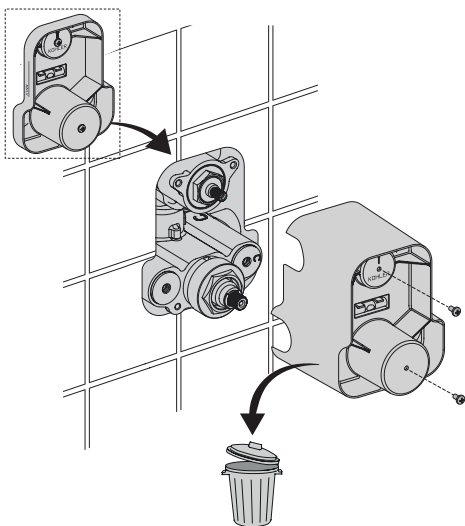


Thermometer

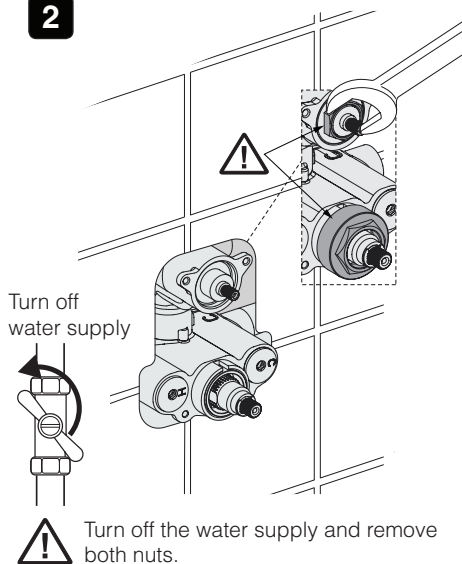


INSTALLATION INSTRUCTIONS

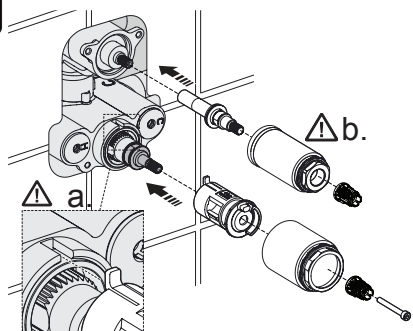
1 Remove protecting cover.



2

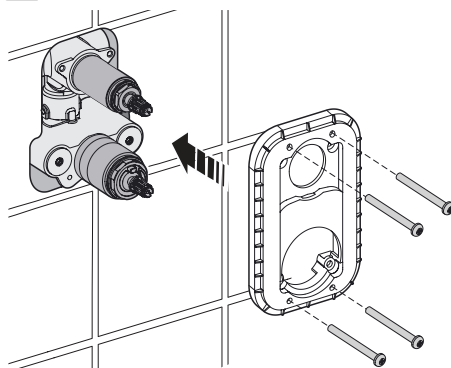


3

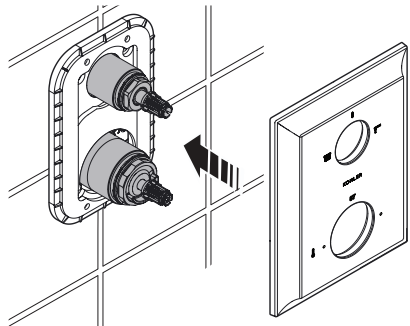


4

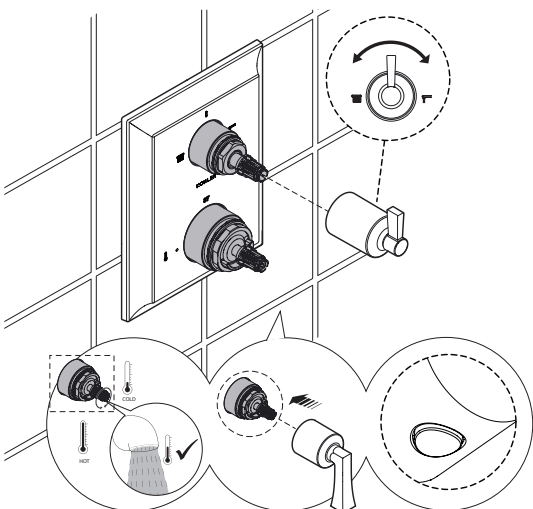
Mount the back plate.



5 Mount the Faceplate.



6 Install the diverter and temperature control handle.



Ensure the knob is in upright position.

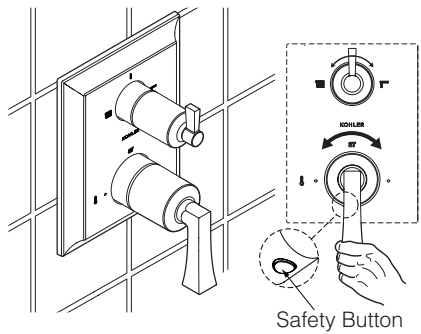
NOTE:
The thermostatic valve cartridge to be calibrated for a shower temperature of approximately 37-38°C.

1. Turn ON the water supply.
2. Turn ON the electrical supply to the water heater. Wait until the water is full hot in the heater tank.

Caution! Scalding hot water may flow from the faucet now as per the heater settings. Do not allow body parts to get in contact with water at this moment.

1. Turn the spline adapter fully counter clockwise. The spline adapter is now in the full hot position. Allow the water to run for several minutes to stabilize the water supply temperatures.
2. Position a thermometer in the water stream to check the temperature of the hot water.
3. Turn the spline adapter manually (clockwise to decrease the temperature and counter-clockwise to increase) and check the temperature until getting 37°C. Once 37°C reached, **do not turn any further.** This is the shower temperature position.
4. Install the Temperature Control Handle to the Spline adapter. Make sure the Indicator Dot is in middle upright position and Temperature Safety Stop button is downwards.

OPERATING INSTRUCTIONS



Diverter handle

Turn the diverter handle to select the water outlet. When the handle marking align with the off position water shut off.

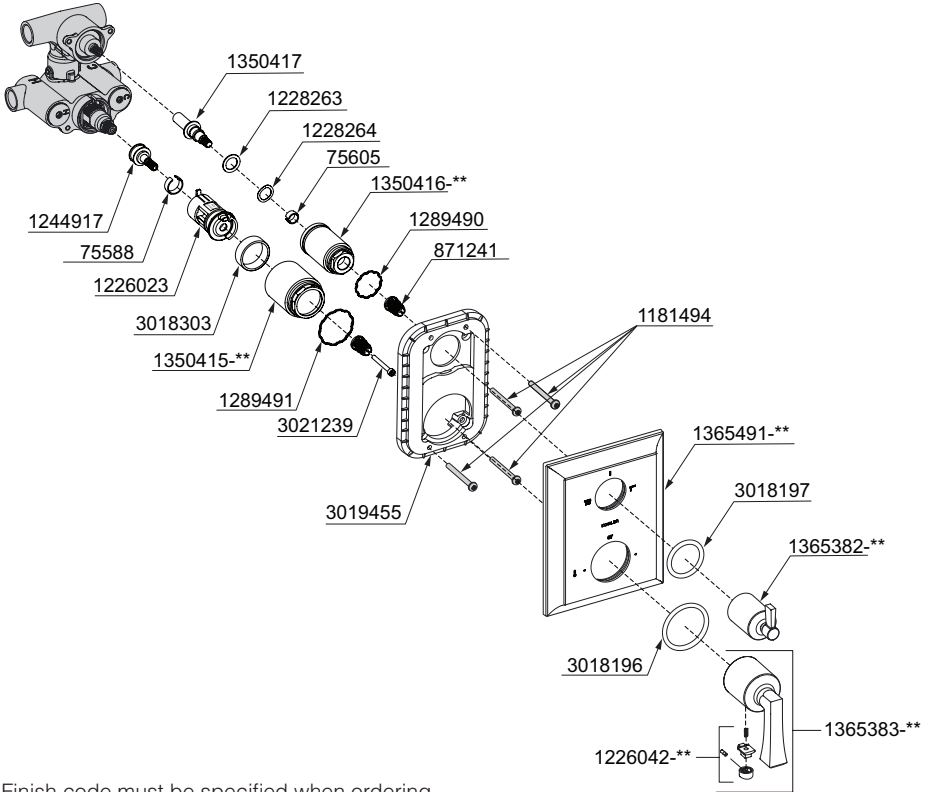
Temperature Control

For safety reasons, a temperature stop limits outlets temperature to 37°C. To get a higher temperature, press the button at the bottom of temperature control and continue turning anti-clockwise.

CLEANING INSTRUCTIONS



SERVICE PARTS



**-Finish code must be specified when ordering.

THE BOLD LOOK
OF **KOHLER**®

Kohler India Corporation Pvt. Ltd.

6th Floor, Office Tower, Ambience Island,
NH-8, Gurugram-122002, Haryana, INDIA.

Customer Care : 1800 103 2244 (Toll Free) &
+91-124-4319685 / 86

Email : indiacustomer care@kohler.com

Website: www.kohler.co.in

All information is based on the latest product information available at the time of publication. Kohler Co. reserves the right to make changes in product characteristics, packaging or availability at any time without notice.