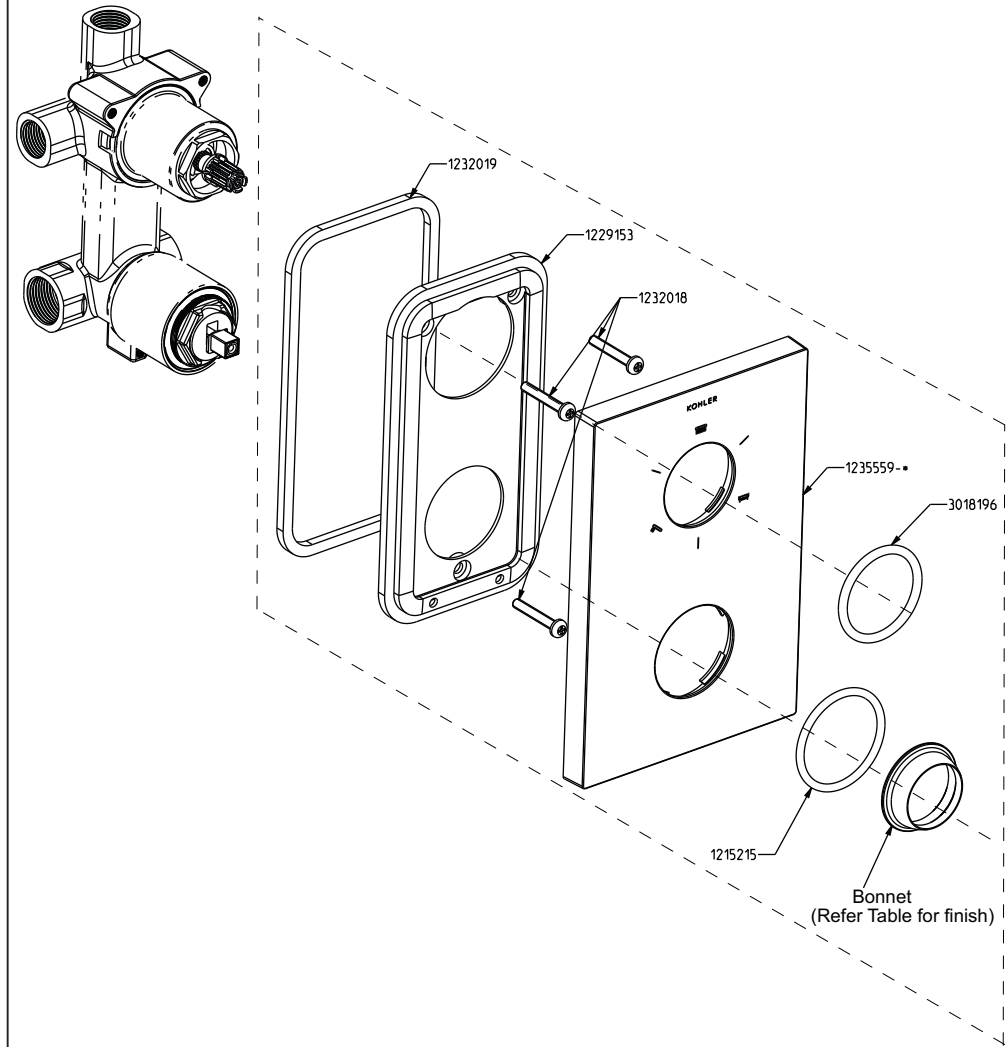
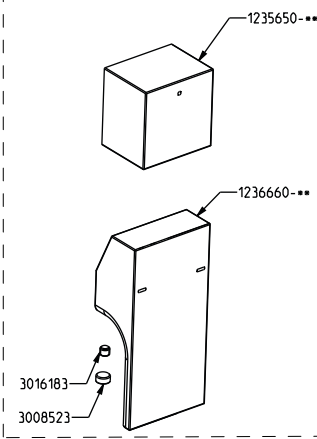
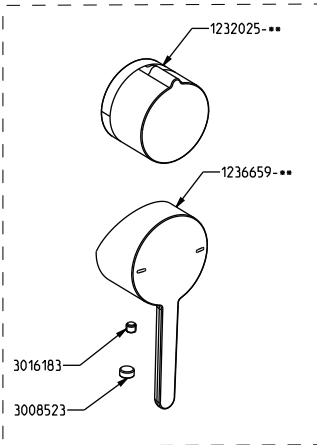


KOHLER.

SERVICABLE PARTS



99926IN-4FP-**



Finish	Bonnet
CP	1232081-CP
AF	3006927-AF
PGD	3006927-PGD
BGD	3006927-BGD

NOTE:-

1. VALVE SHOWN ABOVE IS NOT A PART OF SKU



Kohler India Corporation Pvt. Ltd.
6th Floor. Office Block, Ambiance Island, NH-8
Gurgaon - 122002, Haryana, India



Customer Care No : 1800 103 2244
(Toll Free) & +91-124-4319685 / 86
Customer Care Email : indiacustomercare@kohler.com
www.kohler.co.in

KOHLER.

INSTALLATION INSTRUCTIONS

AQUA TURBO 360 Manual Valve Trims

99925IN-4FP-**

AQUA TURBO 360 COMPLEMENTARY SQUARE TRIM

99926IN-4FP-**

AQUA TURBO 360 COMPLEMENTARY ROUND TRIM

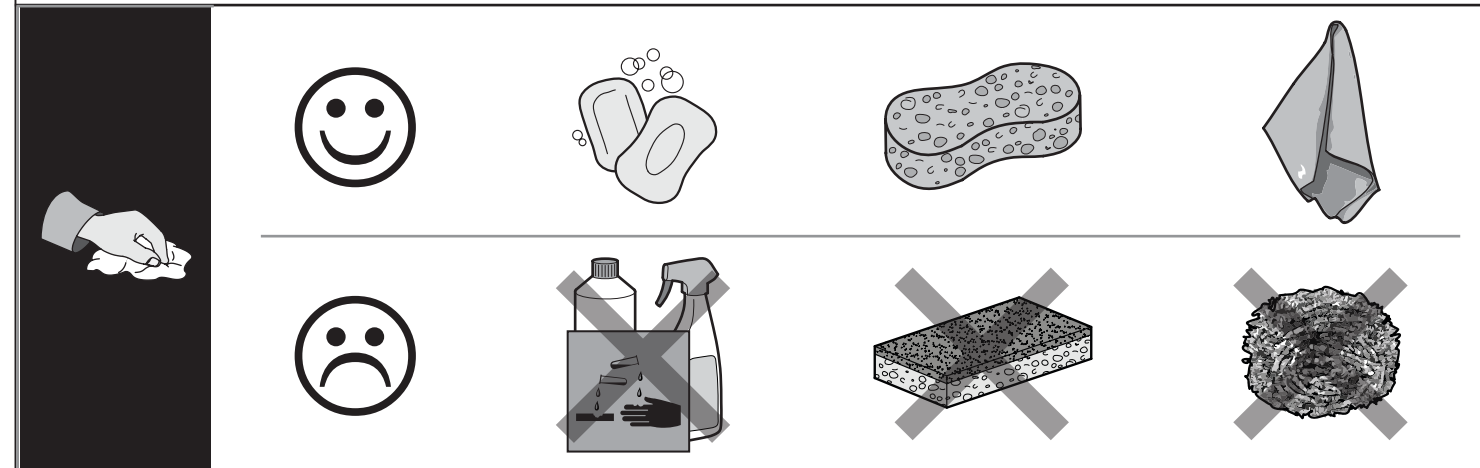
BEFORE YOU BEGIN

All information is based on the latest product information available at the time of publication. kohler Co.reserves the right to make changes in product characteristics, packaging, or availability at any time without

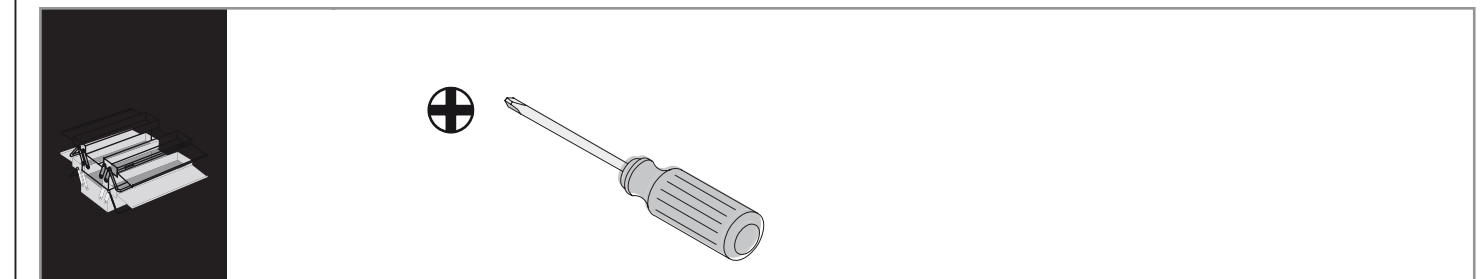
Please leave these instructions for the customers. They contain important information.

1. Flush the water supply pipes thoroughly to remove debris.
2. Inspect the supply tubing for damage. Replace as necessary.
3. Observe local plumbing codes.
4. Check for leaks before covering the pipes, repairs as needed.
5. These trims use with valve assembly- **99924IN-****

CLEANING INSTRUCTION

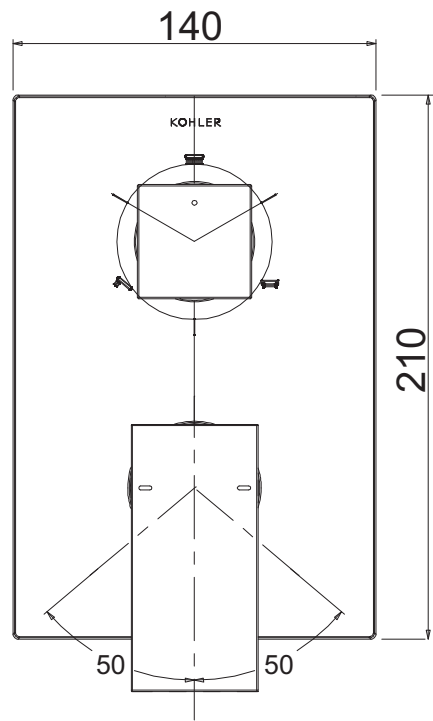


TOOLS REQUIRED

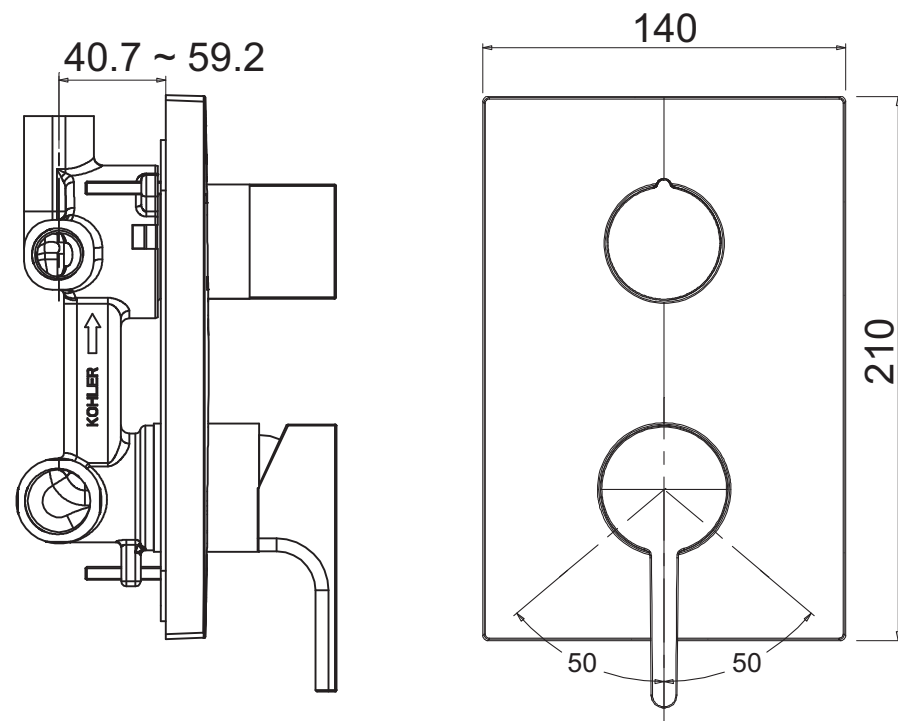


ROUGH IN DIMENSIONS

99925IN-4FP-**

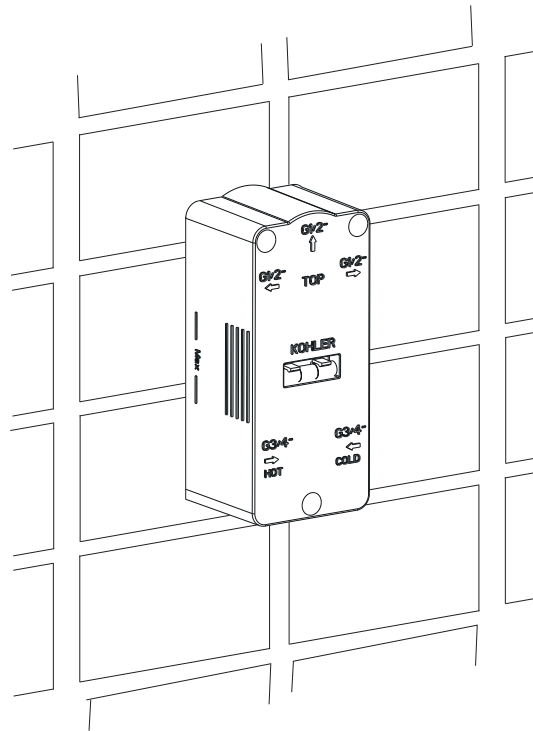


99926IN-4FP-**

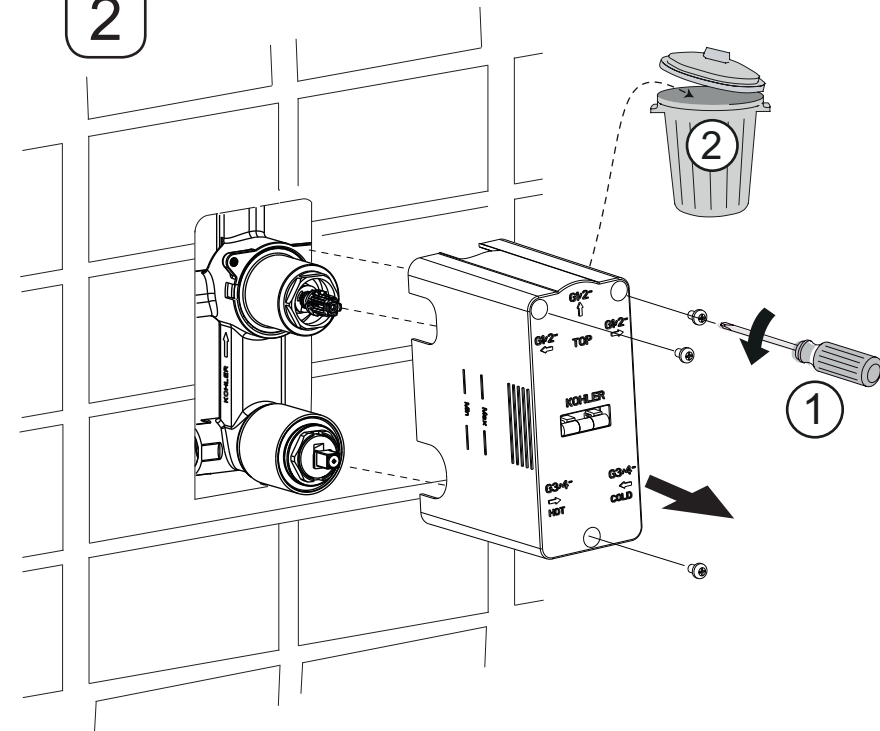


INSTALLATION INSTRUCTIONS

1

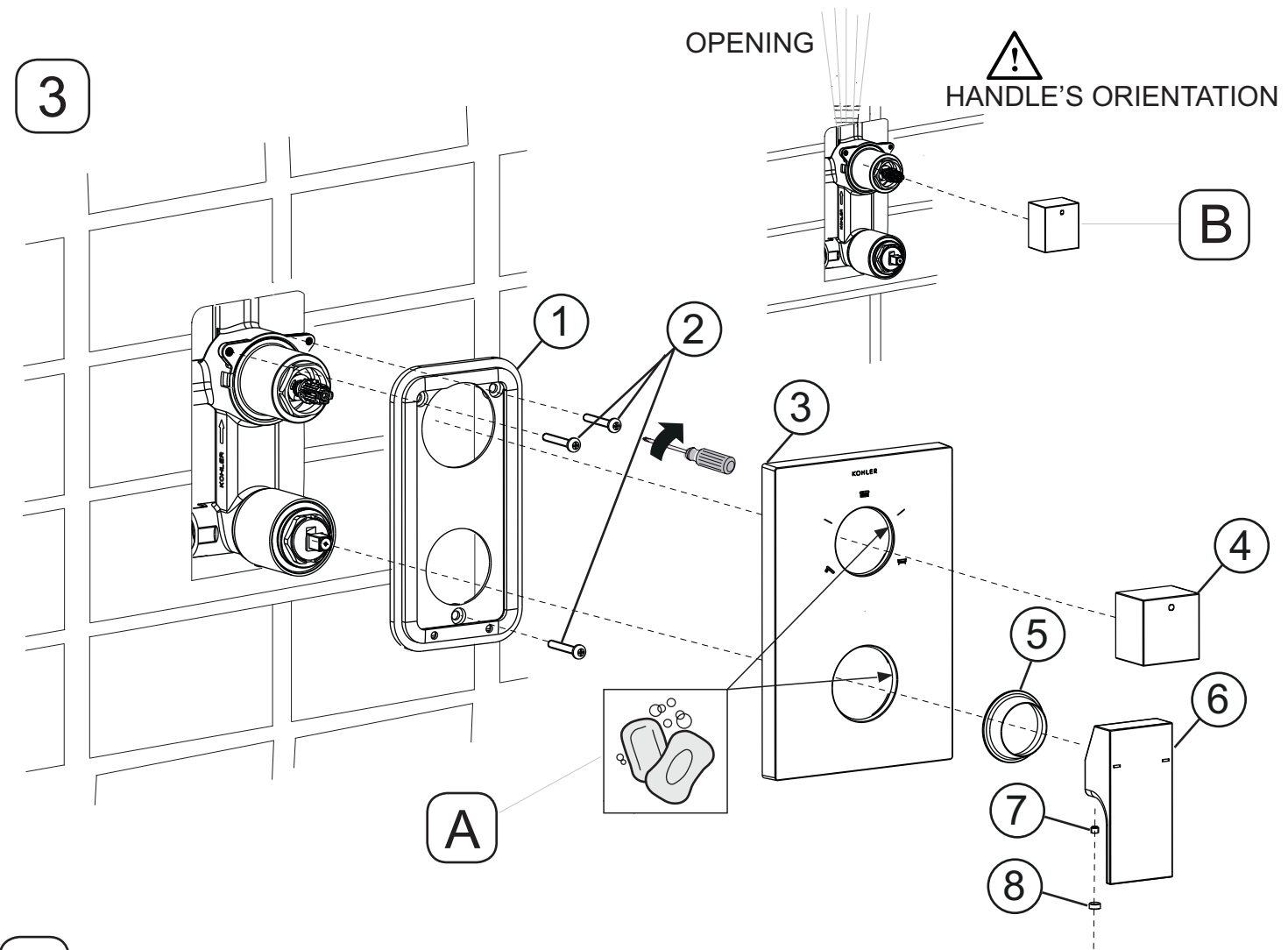


2



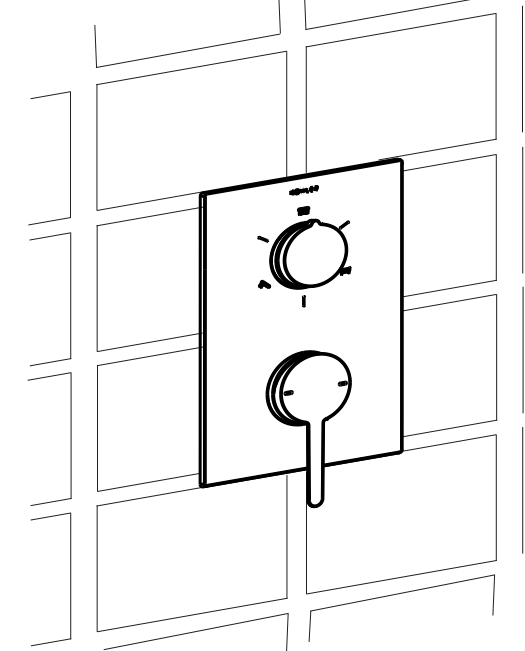
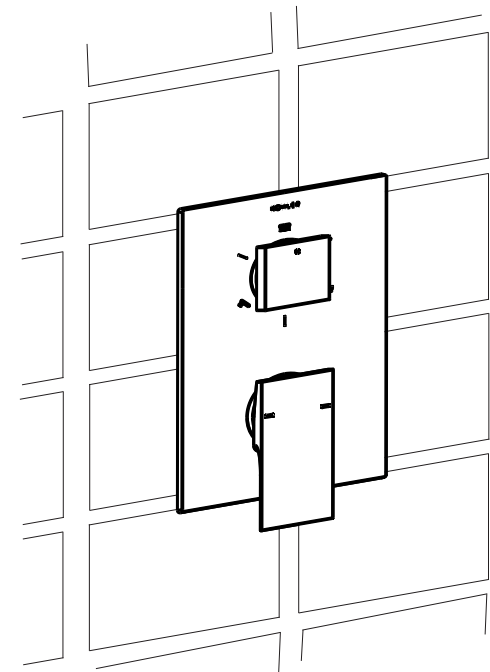
INSTALLATION INSTRUCTIONS

3



A Apply soapy water on O-ring before mounting on sleeve and clean after installation.

B Match handle orientation with outlet open.



* INSTALLATION SHOWN IS COMMON FOR ALL THE TRIMS COME WITH 99924IN-** VALVE ASSEMBLY