

### BEFORE YOU BEGIN

- Please read these instructions carefully to familiarize yourself with the required tools, materials, and installation sequences. Follow the sections that pertain to your particular installation. This will help you avoid costly mistakes. In addition to proper installation, read all operating and safety instructions.
- All information in these instructions is based upon the latest product information available at the time of publication. Kohler China reserves the right to make changes in product characteristics, packaging, or availability at any time without notice.
- These instructions contain important care, cleaning, and warranty information - **please leave instructions for the consumer.**
- Observe all local plumbing and building codes.
- Carefully inspect the new urinal for damage.
- Site preparation may require additional tools and hardware.



**CAUTION: Risk of personal injury or product damage.** Handle with care. Vitreous china can break or chip if the product is handled carelessly.

### 安装之前

- 请通读本说明书，以便了解所需工具、材料及安装程序。请遵照相关章节进行安装，以避免由于安装不当而导致不必要的损失。除了有关正确的安装方法之外，还务请详阅所有操作及安全说明。
- 本说明书所含一切资料，均以印刷时所有的最新产品为准，科勒中国保留随时更改产品特性、包装或供应情况的权利，恕不另行通知。
- 本说明书也包含了有关护理、清洁及保养等重要资料 - 请交予用户保存。
- 遵守当地所有给排水及建筑规定。
- 仔细检查新的小便器是否损坏。
- 准备场地可能要求附加工具和硬件。



**警告：**可能有人身伤害或产品损坏的危险。小心处理，若有所马虎，陶瓷件可能碎裂。

### RECOMMENDED TOOLS AND MATERIALS (NOT SUPPLIED)

- Open end/adjustable wrenches
- Tape measure
- Basin wrench
- Pipe wrench
- Square
- Level
- Pliers
- Socket wrench with sockets
- Screw driver
- Seal tape
- Connection wire
- Wire cutter
- Insulation tape
- Bushing
- Drill
- Sealant

Can match 0.5L ECO urinal sensor  
PATIO ECO 0.5L urinal sensor (DC)  
K-8791T-YC01  
PATIO ECO 0.5L urinal sensor (AC)  
K-8791T-YC03  
PSD ECO 0.5L urinal sensor (DC)  
K-8881T-YC01  
PSD ECO 0.5L urinal sensor (AC)  
K-8881T-YC03

### 所需工具及材料(不随货供应)

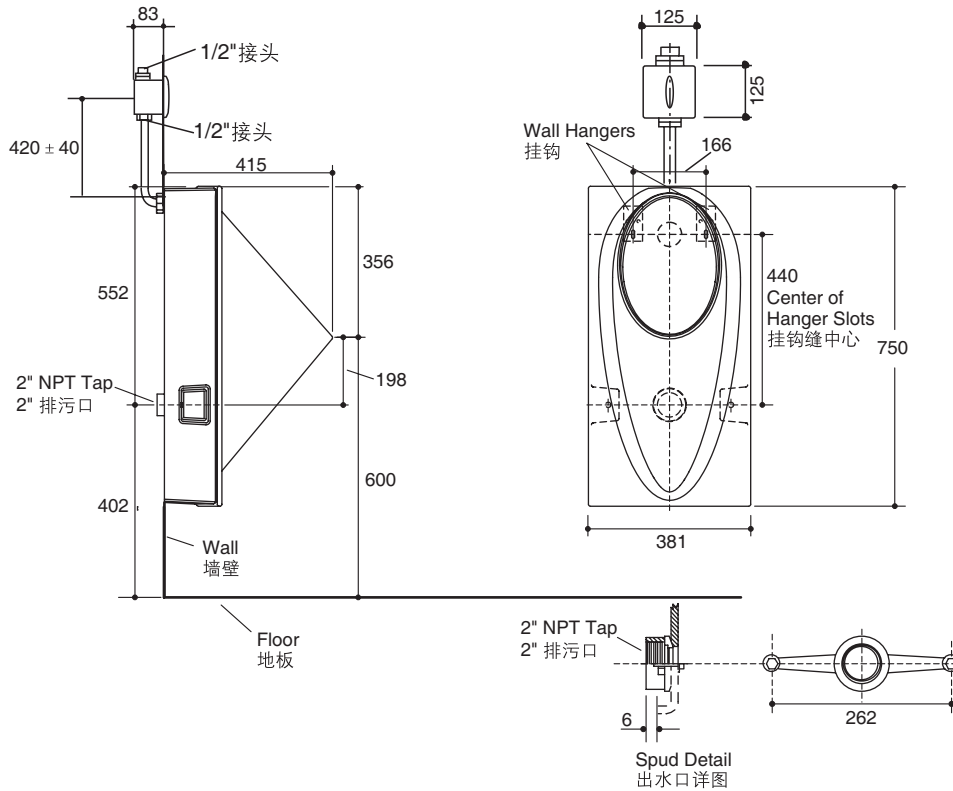
- 开口/活动板钳
- 卷尺
- 梅花板钳
- 管板手
- 直角尺
- 水平尺
- 老虎钳
- 管钳子
- 十字螺丝刀
- 生料带
- 连接线
- 剥线器
- 绝缘胶布
- 电工套管
- 冲击钻
- 密封胶

可适配0.5升超级节水型小便器感应器  
帕蒂欧超级节水型小便器感应器(直流电)  
K-8791T-YC01  
帕蒂欧超级节水型小便器感应器(交流电)  
K-8791T-YC03  
敏锐超级节水型小便器感应器(直流电)  
K-8881T-YC01  
敏锐超级节水型小便器感应器(交流电)  
K-8881T-YC03

广东省佛山市三水区乐平镇  
三水中心工业园区科勒大道 邮编：528137

Reference Value  
参考值

Unit:mm  
单位:毫米



科勒公司保留随时变更图中标示尺寸的权利，无需另行通知。  
Kohler reserves the right to change marked dimensions without prior notice.

Fig.1  
图1

- Roughing-in dimensions are identical if using an optional 3" outlet spud.
- The urinal complies with ADA requirements when the rim is mounted no higher than 432mm from the finished floor.

- 若使用选用的3"出水口、尺寸图仍然相同。
- 当小便器前端边缘离地安装高度不高于432mm，小便器符合ADA要求。

**Notice:** To ensure an effective flush performance, strongly recommended inner diameter of water supply (including water meter, valve, etc.) is no less than 25mm, and supplied water pressure (sensor inlet dynamic pressure) is 0.18MPa ~0.55MPa.

**注意:** 为保证有效冲洗，推荐供水管路(包括水表、阀等)内径不小于25mm，推荐供水水压(冲洗器进水口流动水压): 0.18MPa ~0.55MPa。

## PREPARE THE SITE

**NOTE:** If a pre-existing waste pipe will be used and will result in an acceptable rim height (refer to the rough-in dimensions), follow the retrofit installation instructions.

### For Retrofit Installations

- Turn the water supply line off, remove the existing urinal, then cap off the water supply line inside the wall.

### For New Installations

- Install waste pipe as necessary to conform to the roughing-in dimensions.
- Install adequate support framing for the hangers as needed.

## 准备场地

注意：如果现存的排水管可以使用，边缘高度符合要求(参考尺寸图)，则参照更换安装说明安装。

### 对于更换安装

- 关闭水源，移除现有的小便器，然后封住墙内的供水管线。

### 对于全新安装

- 如有必要，根据尺寸图安装排水管。
- 如有需要，安装有足够承载能力的支撑架。

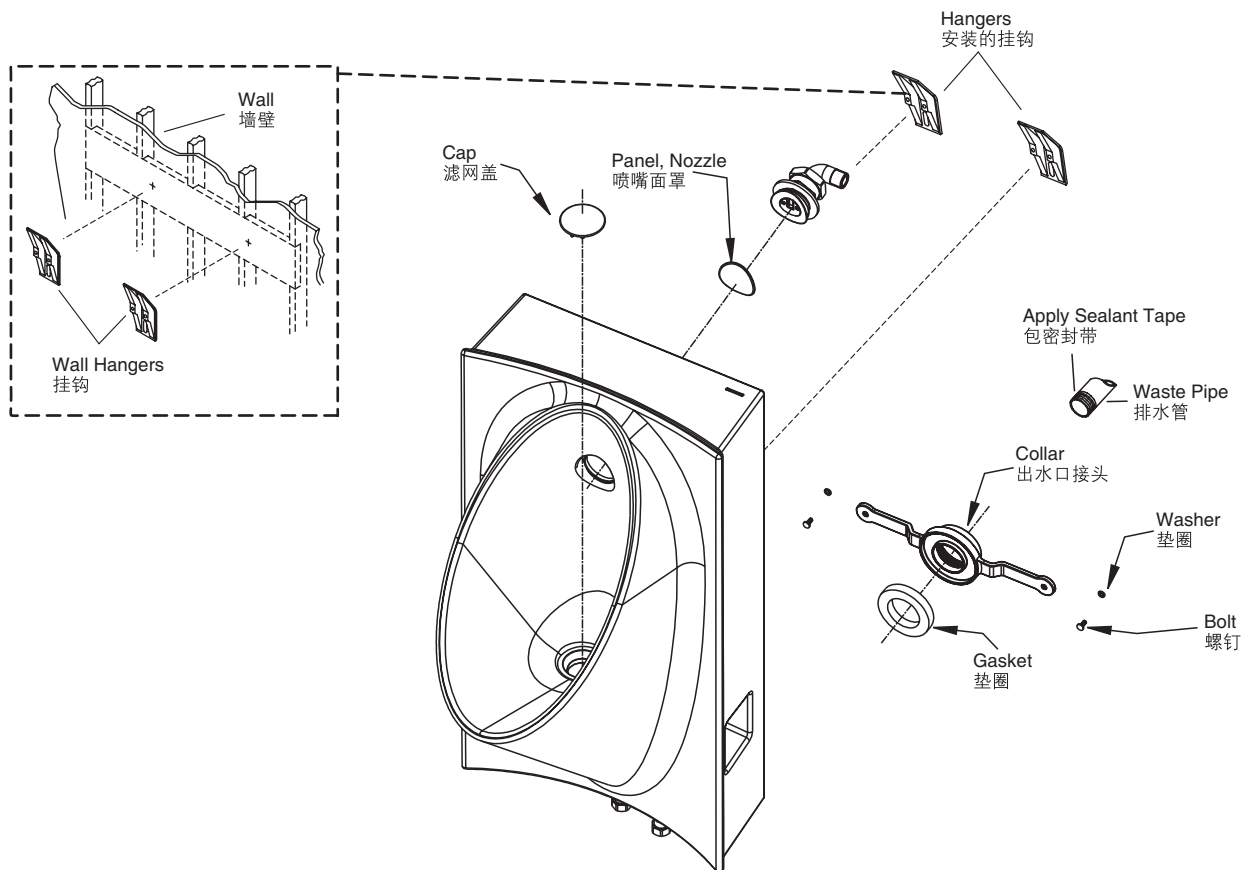


Fig.2  
图2

# INSTALLATION

# 安装步骤

## A. Install hook

Drill 2 mounting holes on the wall and install hook. Fix hook on the wall by tightening screws.

### A. 安装挂钩

按图中的安装尺寸在安装墙面打两个安装孔，将挂钩安装槽对准安装孔，将塑料套管插入安装孔，用螺丝将挂钩紧固在安装墙面。

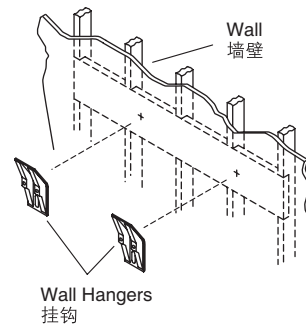


Fig.3  
图3

## B. Install urinal

### B. 安装小便器

#### 1. Install the sprayer and the adapter

##### 1. 装喷头和转接头

- Insert the sprayer into the hole, with the guide hole in the middle.
- Install the gasket and screw the nut tight.

- 将喷头插入陶瓷孔，定位孔正中位。
- 装橡胶垫圈并旋紧锁紧螺母。

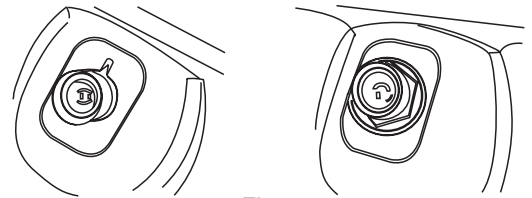
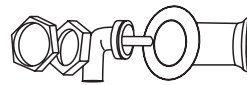


Fig.4  
图4

- Install the adapter and make the inlet at a 90 degree angle to the left, as shown in Fig. 5.

- 安装后进口向左侧呈90度角，如图5。

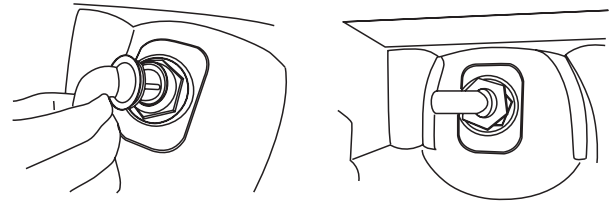


Fig.5  
图5

#### 2. Install the drain and the plastic trap

##### 2. 装去水器 and 塑料弯管

- Put the washer onto the drain and insert it into the hole.
- Put the gasket and nut on the bottom.

**NOTE:** Do not over screw the nut in this step, because it is to be screwed tight in the next step after the pipe is installed.

- 将去水器套上垫圈并插入陶瓷孔。
- 底部套上橡胶垫圈和锁紧螺母。  
注意：锁紧螺母不要旋紧，因为要在下一步安装弯管后才能旋紧。

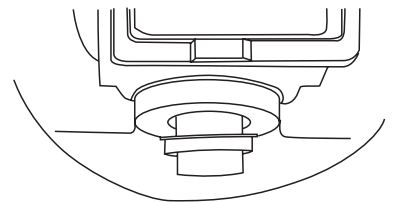
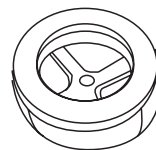


Fig.6  
图6

- Connect the hose with the trap.
- Screw the trap onto the drain and screw tight.
- Screw tight the nut of the drain mentioned in step.

- 连接软管和塑料弯管。
- 将塑料弯管和去水器旋上拧紧。
- 旋紧第2步骤的去水器锁紧螺母。

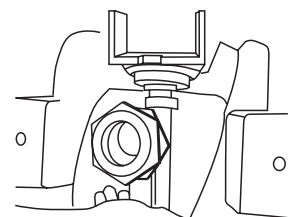
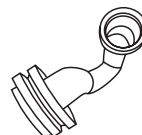


Fig.7  
图7

f. Screw on the drain lid.

f. 旋上过滤器盖。



Fig.8  
图8

## TROUBLESHOOTING

Please refer to the installation instructions of K-8791T-YC01/ K-8791T-YC03 and K-8881T-YC01/K-8881T-YC03.

## 简单故障排除

请参考K-8791T-YC01/K-8791T-YC03以及K-8881T-YC01/K-8881T-YC03的安装说明书。

## IMPORTANT CONSUMER INFORMATION

## 用户须知

### Consumer Responsibilities

1. Clean the urinal with soft rag and neutral liquid detergent. Do not use eradicator, abrasive powder or oil, acid or alkali liquid detergent.
2. Urinal is designed for use with potable water. Avoid water that includes a lot of contaminants or acid/alkali water and impure water.
3. All installation staff should be well familiar with installation instruction.



**WARNING:** Never spit phlegm and throw stub or something else into the urinal.

Please avoid using articles either dissolvable or with the diameter smaller than 5mm, such as moth ball.



**WARNING: Risk of product damage.**

Do not throw into the urinal what is easy to block it, such as newspaper, paper pilch.

Do not bump the vitreous china with great force to prevent it from damaging and leaking.

Do not use the product in the water below 0°C.

### 用户责任

1. 可用中性清洁剂和软布擦洗小便器。禁止使用去污粉、研磨粉及油类、酸性类、碱性类清洁剂。
2. 使用水源为自来水或可供饮用井水。避免使用含有杂质较多或带有酸、碱性的处理水或未加工处理的水。
3. 所有参与安装人员都必须熟知安装说明。



**警告:** 请勿往小便器内吐痰、扔烟蒂等杂物。

请勿在小便器内放置直径小于5mm或可溶解的物品，如樟脑球等。



**警告:** 提防损坏产品。

请不要向小便器内冲入新闻纸、纸尿裤等容易堵塞的物品。

请不要用重力撞击陶瓷，以防止破损漏水。

不要在0°C以下的水环境中使用。