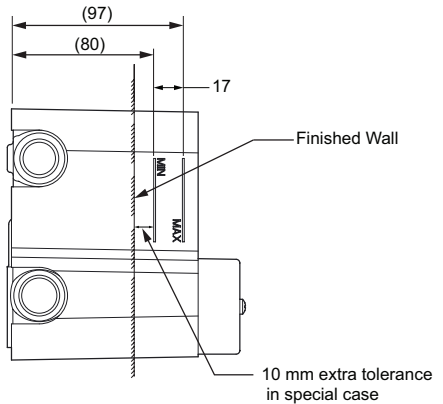
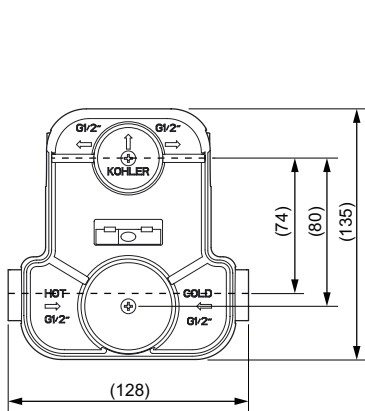


**20740IN-NA**  
Recessed Thermostatic Bath  
& Shower Valve

**ROUGH-IN DIMENSIONS (in mm)**



**20740IN-NA**

## PRESSURE & INLET TEMPERATURE

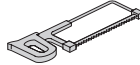
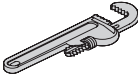


P (Bar) 1.5 < 3 < 5.5



T (°C) < 65

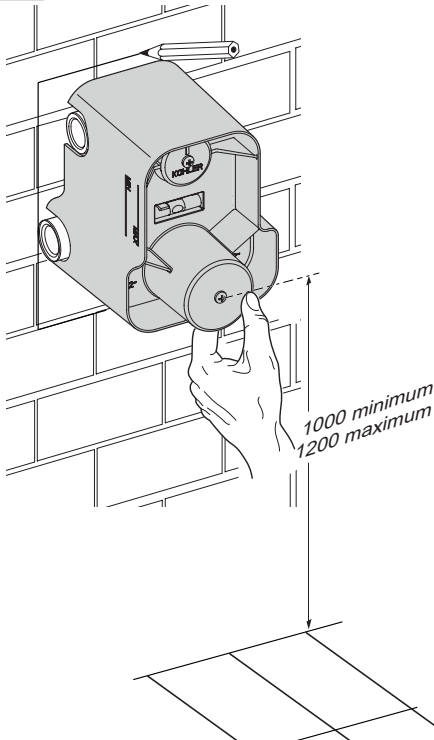
## TOOLS REQUIRED



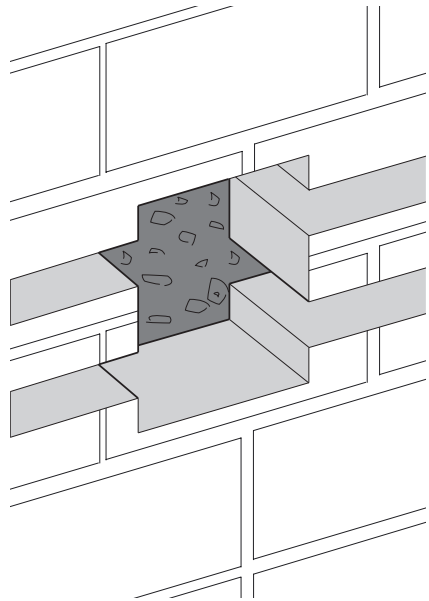
NOTE: MUST BE INSTALLED UNDER SUPERVISION OF KOHLER'S TECHNICAL ASSOCIATE (KTA).

## INSTALLATION INSTRUCTIONS

1

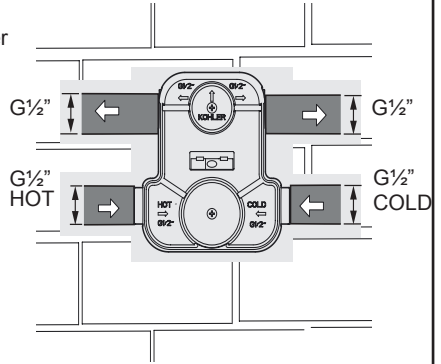
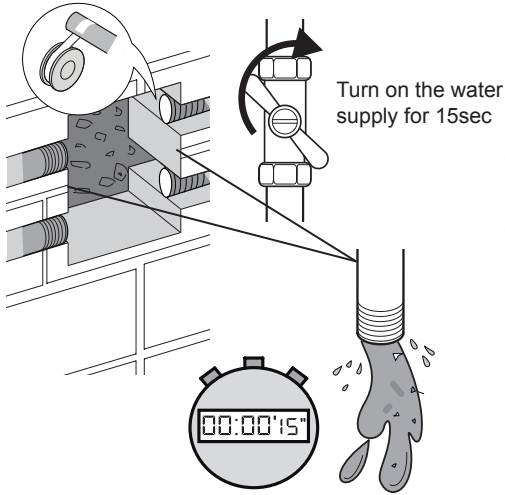


2



Depth of cut should be justified by plumber as per rough-in.

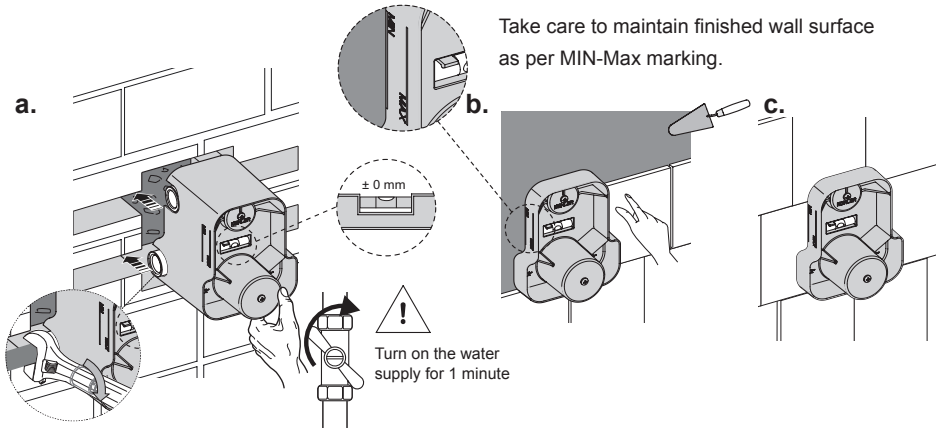
### 3 Finish all pipework for inlet and outlet.



Clear all the debris and dirt from inside of pipes before connecting.

All outlets G $\frac{1}{2}$ \" and Inlets G $\frac{1}{2}$ \"

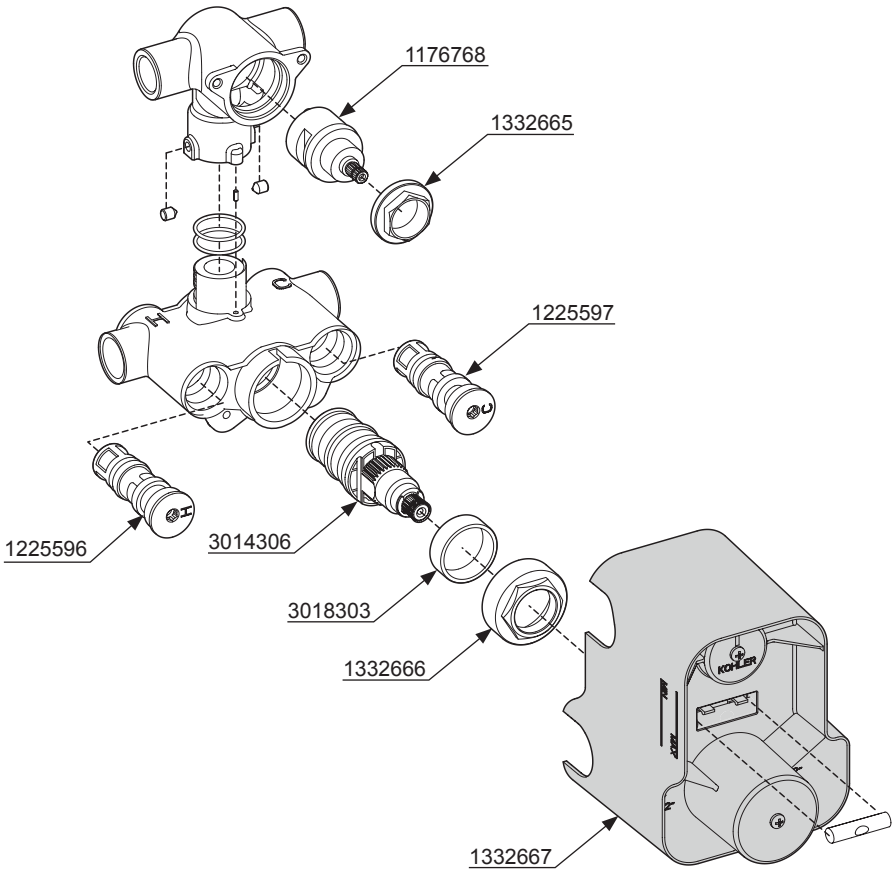
### 4 Finish the valve installation by cementing and tiling the wall.



! Ensure no leakage.

**NOTE:** Ensure the valve is horizontal and perpendicular using the attached spirit level on protective cover, to the wall.

## SERVICE PARTS



THE BOLD LOOK  
OF **KOHLER**®

### **Kohler India Corporation Pvt. Ltd.**

6th Floor, Office Tower, Ambience Island,  
NH-8, Gurugram-122002, Haryana, INDIA.

Customer Care : 1800 103 2244 (Toll Free) &  
+91-124-4319685 / 86

Email : [indiacustomer@kohler.com](mailto:indiacustomer@kohler.com)

Website: [www.kohler.co.in](http://www.kohler.co.in)

All information is based on the latest product information available at the time of publication. Kohler Co. reserves the right to make changes in product characteristics, packaging or availability at any time without notice.