


BEFORE YOU BEGIN

安装之前

A. Introduction

- Please read these instructions carefully to familiarize yourself with the required tools, materials, and installation sequences. Follow the sections that pertain to your particular installation. This will help you avoid costly mistakes. In addition to proper installation, read all operating and safety instructions.
- All information is based on the latest product information available at the time of publication. Kohler Co. reserves the right to make changes in product characteristics, packaging, or availability at any time without notice.
- These instructions contain important care, cleaning, and warranty information-**please leave these instructions for the consumer.**
- This product complies with GB 24977-2010.
- This product complies with QB/T 2664-2004.


B. Installer Hazard Notification

-  **CAUTION!!** Risk of personal injury. Cast iron baths are extremely heavy, and need at least 5 persons for help. When installing these products, please wear appropriate safety equipment for the risk of clipping your fingers.

A. 引言

- 请仔细阅读此说明书以熟悉所需要的工具、材料及安装顺序。遵循适合您的特定安装要求的各项内容，避免昂贵的损失。除了要正确安装外，还应阅读操作及安全说明。
- 所有的资料是按最新出版的产品资料编写而成。科勒公司保留任何时候无须通知即可改变产品特性、包装或产品可供类型的权利。
- 安装说明包括重要的安装、清洁及保养方面的内容，请把这些资料交给用户阅读。
- 本产品符合GB 24977-2010。
- 本产品符合QB/T 2664-2004。

B. 安装人员危险警告

-  小心!! 避免人员受伤。铸铁浴缸非常重，需要至少5人协助完成。在安装时，有夹手风险，一定要穿戴合适的安全装备。

PRODUCT REQUIREMENTS

产品要求


A. Summary Of Key Requirements

- Observe all local plumbing codes.
- Install the bath tub to a level floor.
- Provide properly-dimensioned space.
- Make sure the flooring offers adequate support for your bath.
- Observe all local plumbing and building codes.

-  **CAUTION: Risk of product or property damage.** Do not support the bath by the rim.

A. 关键要求的总结

- 请遵守当地的管道施工规范。
- 在水平地面上安装浴缸。
- 提供适当的空间以安装浴缸。
- 确保安装地面为您的浴缸提供足够的支撑。
- 遵守当地所有给排水和建筑规定。

-  小心：存在产品或财产受损的危险。不要用浴缸边缘支撑浴缸。

B. Product Inspection

- Uncrate and inspect bath for damage. Leave all materials in the crate during construction to prevent damage.
- Carefully open the accessory cartons and remove the components and hardware pack.
- If you observe any damage, do not install the bath or the accessory. Report the specific problem to your dealer.

B. 产品检查

- 小心地打开浴缸包装箱并检查浴缸是否损坏。施工期间将所有的材料都留在箱内，以防止损坏。
- 小心地打开配件包装箱并检查其是否损坏，取出组件及五金配件包。
- 如果观察到任何损坏，请勿安装浴缸和配件。将问题告知经销商。

INSTALLATION REQUIREMENTS

安装要求

A. Tools And Materials Required (Not Supplied)

- Safety glasses
- Tape measure
- Pencil
- Level
- Blade screwdriver
- Phillips screwdriver
- Pliers
- Sealant
- Square
- Knife
- Conventional woodworking tools and materials
- Drop cloth 2 × 4's or 2 × 6's
- Water-resistant wall material
- Metal shims
- Adjustable wrench
- Hex wrench
- Rags

A. 所需工具及材料(不随货供应)

- 防护眼镜
- 卷尺
- 铅笔
- 水平尺
- 一字螺丝刀
- 十字螺丝刀
- 老虎钳
- 密封胶
- 直尺
- 美工刀
- 木工常用工具和材料
- 罩单 2x4英尺或2x6英尺
- 防水墙面材料
- 金属薄垫片
- 活动扳手
- 六角扳手
- 抹布

B. Clearance Requirements

Check the rough-in and room dimensions to provide adequate available space for the bath unit.

B. 预留尺寸

检查产品尺寸及浴室尺寸，确保有充分的空间安装浴缸。

SITE REQUIREMENTS

安装现场要求

A. Old Bath Removal (if necessary)

A. 拆除旧浴缸(如有必要)

B. Preparation

B. 独立浴缸安装准备

NOTE: Adequate floor support must be provided. Refer to roughing-in sheet packed with your bath for specific floor loading requirements.

注：必须确保地面支撑力足够。请参考浴缸随附的尺寸图查看具体的地面负载要求。

- Make sure the floor offers adequate support for your bath and verify that the subfloor is flat and level.

- 确保地面可以完全支撑您的浴缸，并确保地面水平。

C. Plumbing Preparation

C. 管道的准备

Position the plumbing according to rough-in dimensions. Check the supplies for leaks.

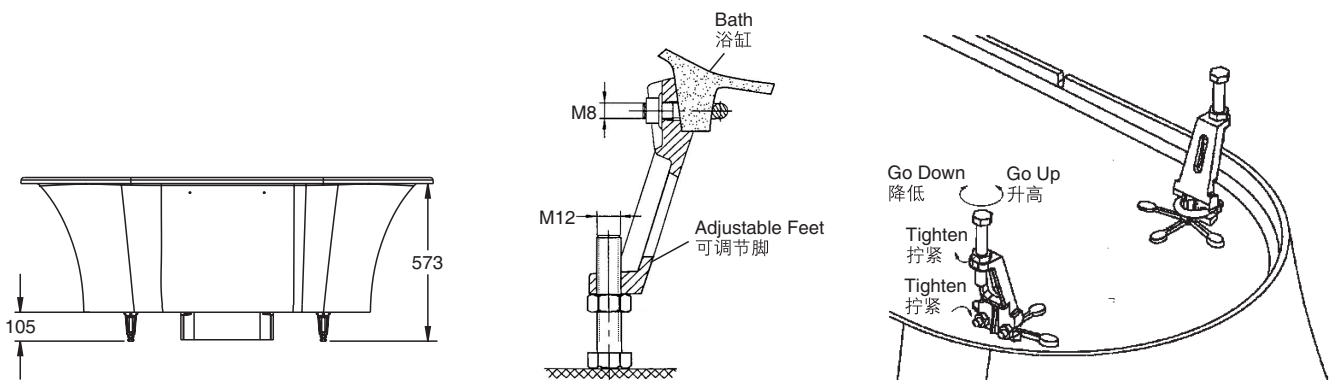
将管道按安装尺寸安置。检查供水管道是否漏水。

INSTALL THE FREESTANDING BATH

安装独立式浴缸

1. Make sure the floor is as flat as possible when choosing the position for installing the bathtub (uneven floor or tiles could affect the overall installation). Place the cast iron bathtub at a tilt or place the bottom on top (at least 2-3 people required; please be careful) and following instructions in the following figure to adjust the supports. Adjust the screws so that the bottom of the edges of the bathtub is 573mm from the floor and the bottom of the bathtub is 105mm from the floor. Use the same method to install other adjustable supports. (The height adjustment is for facilitating follow-on installation of the wood base and it is suitable for flat surfaces.)

1. 确定浴缸安装位置，地面尽量确保平整（因地面凹凸不平或地砖不平整可能影响整体安装效果）。将铸铁浴缸侧倾或底朝上放置（至少需2-3人配合，请注意安全），按下图安装浴缸可调节脚。调节螺杆，使浴缸翻边下缘距离地面573mm，或使浴缸底部距离地面105mm。同样方法安装好其余调整脚。（此高度调节是为配合后续木底座安装，适用地面水平平整状态。）



2. After the supports are adjusted, return the cast iron bathtub to its normal position with the bottom facing down as illustrated in the following figure. Shake the cast iron bathtub to verify whether the four supports are even. If the bathtub is shakable, it means that the floor is not sufficiently even. You can use a wrench to adjust 1 screw with the highest deviation so that the four supports are placed on the floor. Install and tighten the bathtub water drain and pull out the drainage pipe.

2. 调节脚安装到位后，将铸铁浴缸恢复正常底朝下平放状态，如下图，晃动铸铁浴缸检查四个脚是否放平，若存在晃动即说明地面不够平整。可在此放置状态下用扳手调节其中1个偏差最大的螺杆，使浴缸四角都着陆。

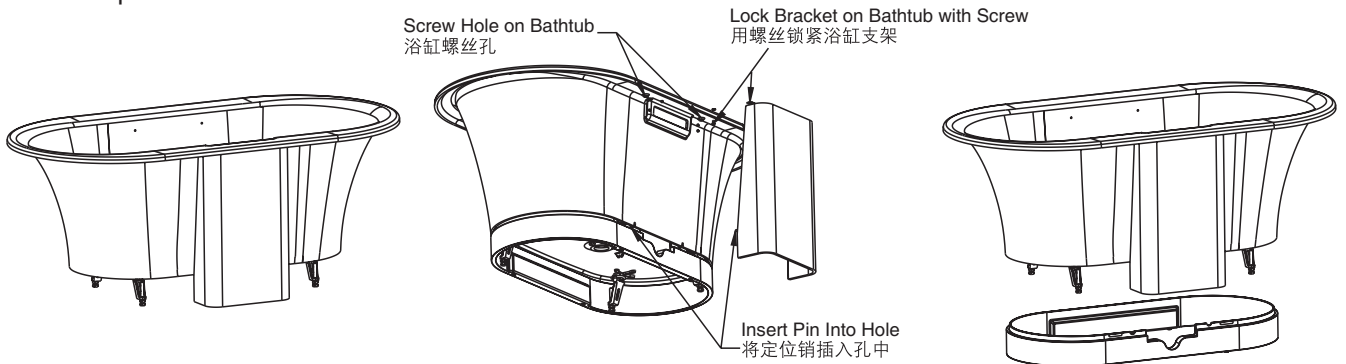
拧紧安装好浴缸落水并拉出下水管。

3. Wood base installation and drainage pipe insertion: 4 people should stand still and raise the cast iron while another person places the white wood base or gilded wood base directly beneath the bathtub. Insert the drainage pipe pulled from the drainage into the drainage hole of the bathroom and quickly seal it with silicone. The other 4 people should slowly put down the bathtub and prevent the bathtub from falling and damaging the wood base. Fit the bathtub on the wood base.

3. 木底座安装和下水管插入：4个人原地竖直抬起铸铁浴缸，另一个人将白色木底座或金边木底座放入浴缸正下方。然后将浴缸上落水器甩出的下水管插入卫生间下水孔内，上硅胶快速密封。然后其他4人缓慢放下浴缸，防止浴缸滑落压坏木底座，使木底座与浴缸嵌合对齐。

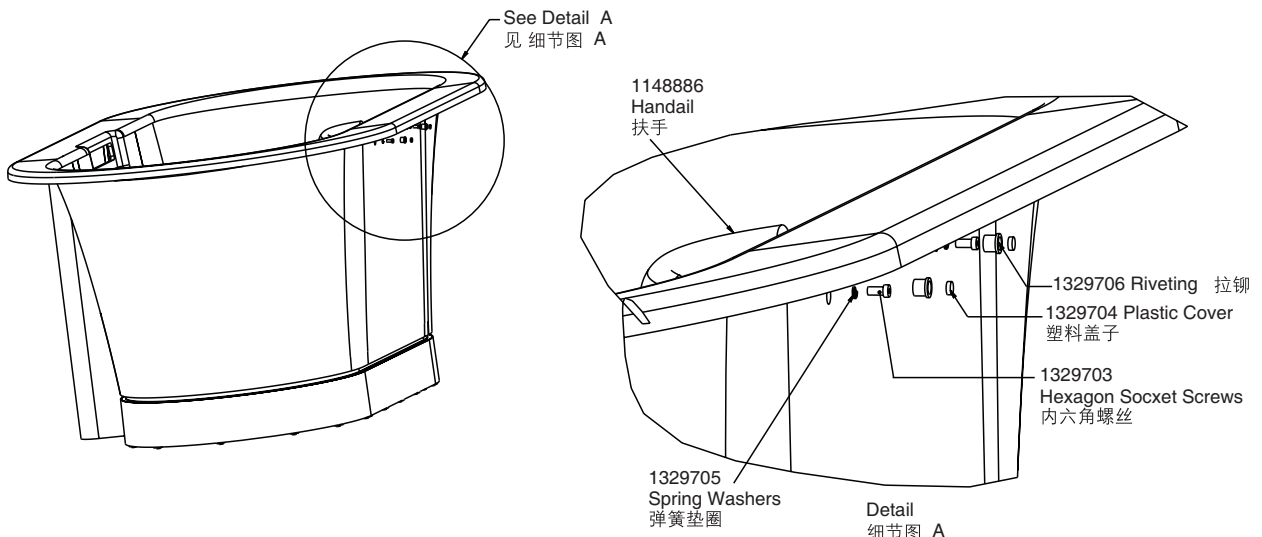
4. Overflow plate installation: The 4 people should stand still and lift the bathtub slightly to place the positioning pin of the U-shape overflow plate into the positioning hole on the bottom of the bathtub. Lower the bathtub gently and just an M6 screw to fasten the overflow plate to the bathtub.

4. 溢水扣板安装：4人再次原地竖直稍微抬起浴缸，将U型溢水扣板定位销插入浴缸下缘定位孔。然后缓慢放下浴缸，用M6螺丝将溢水扣板与浴缸锁紧。



5. Handrail installation: Open the bathtub handrail installation screws pack 1329702. Insert the 1329706 rivet into the handrail hole. Place the 1329705 spring washer on the 1329703 hexagon socket screw. Use the 1329707 hexagon socket wrench to fasten the countersunk head screw onto handrail 1148886. (Make sure the screw tightens the 1329705 spring washer to prevent handrail from becoming loose). Finally, insert the plastic lid 1329704 into the handrail. (Attention: Please make sure the screw is tightened and the handrail is not loose. If maintenance is required after the plastic lid is inserted, please use a spare plastic lid.)

5. 安装扶手（仅限K-20610T-GR/K-20379T-GR）：打开浴缸扶手安装螺丝配件包1329702，先将1329706拉铆插入扶手孔，将1329705弹簧垫圈套在1329703内六角螺丝上，用1329707内六角扳手将沉头螺丝与扶手1148886扶手锁紧。（注意拧紧螺丝使1329705弹簧垫圈顶紧防止扶手松动）。最后将1329704塑料盖子嵌入扶手孔。（注意：螺丝请确认拧紧，扶手无松动，塑料盖子嵌入安装后如需维护，请使用备用塑料盖。）




INSTALL THE PLUMBING

1. Install the plumbing
 - Refer to the installation instructions of K-20608T-CP and K-20609T-CP.
2. Open the hot and cold water supplies and check all connections for leaks.
3. Run water into the bath and check the drain connections for leaks.

COMPLETE THE INSTALLATION

Cast Iron Surfaces

When cleaning up after installation, do not use abrasive cleaners, as they may scratch and dull the bath surface. Use warm water and a liquid, non-abrasive detergent to clean the surface.

 **CAUTION:** Do not allow cleaners containing petroleum distillates to remain in contact with the surfacer long periods of time.

Remove stubborn stains, paint, or tar with turpentine or paint thinner.

Remove plaster by scraping with a wood edge. Do not use metal scrapers, wire brushes, or other metal tools. You can use a powder-type detergent on a damp cloth to provide mild abrasive action to any residual plaster.

IMPORTANT CONSUMER INFORMATION

The Safeguard slip resistant surface on this bathtub meets or exceeds the requirements of ASME/ANSI for A112.19.1M slip resistance.

DANGER!! Improper maintenance or cleansers may permanently remove the slip resistant surface on Kohler bathtubs.

NOTICE: All housekeeping and maintenance employees must be trained in the proper cleaning of Kohler bathtubs. Post a copy of this notice in a readily-visible location.

DO NOT use steel wool, wire brushes, metal scrapers or abrasive sponge pads to clean a Kohler bath tub.

DO NOT use buffing machines on the slip resistant surface.

DO NOT use high alkaline or strong acid cleansers.

DO NOT use abrasive cleansers.

- Use only non-abrasive cleansers and a soft nylon brush to clean the slip resistant surface.
- When using commercial cleansers, use cleansers with a pH of between three and eight.
- Follow cleanser manufacturer instructions very carefully.


安装管道

1. 安装卫生管道
 - 参照K-20608T-CP和K-20609T-CP排水安装说明书。
2. 开启冷热水水管，然后检查所有连接是否渗漏。
3. 浴缸中放水，检查落水连接是否渗漏。

完成安装

铸铁表面

在安装完成后进行清理时，请勿使用磨损性的清洁用具，以免擦伤浴缸表面，使其失去光泽。使用温水和非磨损性的液体清洁剂，清洗浴缸表面。

 **小心：**请不要让含有汽油溶解物的清洁剂和浴缸长时间接触。

使用松节油或涂料稀释剂去除顽固的污渍、油漆或沥青。

滞留水泥可用薄木刀刮掉。请不要使用金属刮刀，钢丝刷，或其它金属工具，对残留的灰泥，可用湿布粘些洗衣粉，以提供轻微的研磨作用。

重要的用户资料

浴缸的Safeguard防滑表面达到或超过ASME/ANSI A112.19.1M对防滑表面的要求。

危险！！不适当的维护或清洁剂的使用可导致科勒浴缸的防滑表面永久失去。

注意：所有的清洁和维修人员都应当进行正确清洗科勒浴缸的培训。请将此注意事项的复印件张贴在显著的位置。

请勿 使用钢丝绒，钢丝刷，金属刮刀或有磨损性的海绵垫清洗科勒浴缸。

请勿 在防滑表面上使用抛光仪器。

请勿 使用强碱或强酸性的清洁剂。

请勿 使用磨损性的清洁剂。

- 请使用没有磨损性的清洁剂和软尼龙刷清洗浴缸的防滑表面。
- 请使用pH值3和8之间的清洁剂(若要使用商业用清洁剂时)。
- 请仔细阅读按照清洁剂生产厂家的说明书进行清洗。