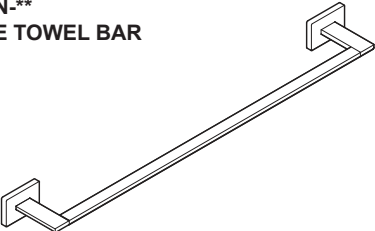
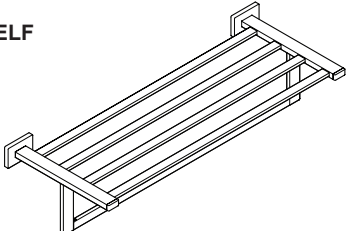
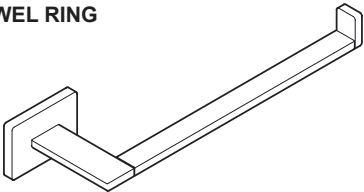
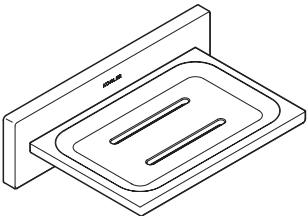
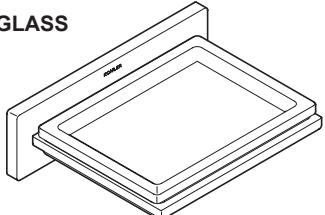
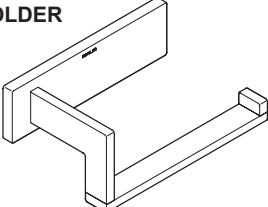
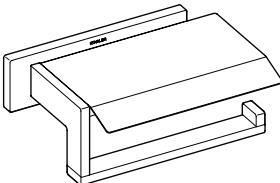
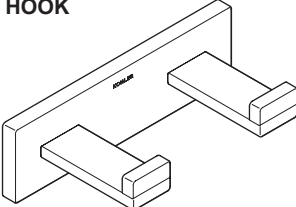
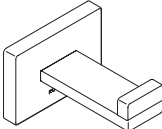
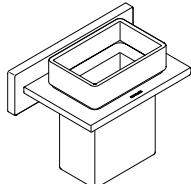
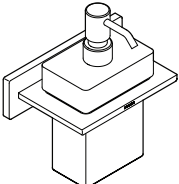
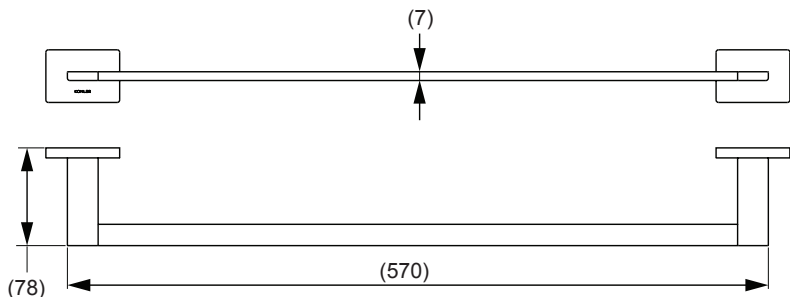
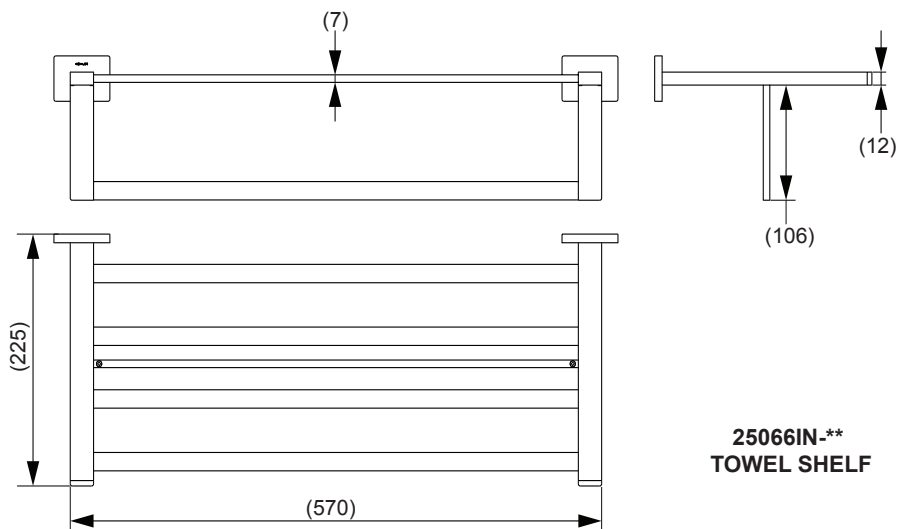


<p>25065IN-** SINGLE TOWEL BAR</p> 	<p>25066IN-** TOWEL SHELF</p> 	
<p>25067IN-** TOWEL RING</p> 	<p>25068IN-** SOAP DISH</p> 	
<p>25069IN-** SOAP DISH GLASS</p> 	<p>25070IN-** TOILET PAPER HOLDER WITHOUT COVER</p> 	
<p>25071IN-** TOILET PAPER HOLDER WITH COVER</p> 	<p>25073IN-** DOUBLE ROBE HOOK</p> 	
<p>25072IN-** SINGLE ROBE HOOK</p> 	<p>25074IN-** TUMBLER HOLDER</p> 	<p>25075IN-** LIQUID SOAP DISPENSER</p> 

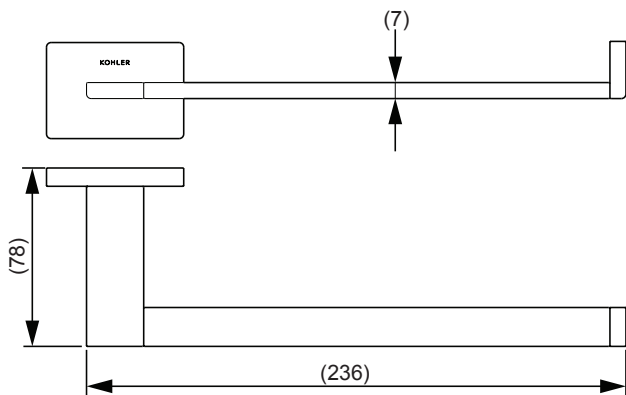
ROUGH-IN DIMENSIONS(All dimensions are in mm)



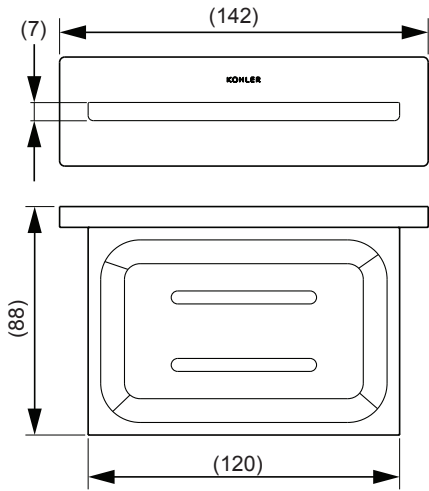
25065IN-
SINGLE TOWEL BAR**



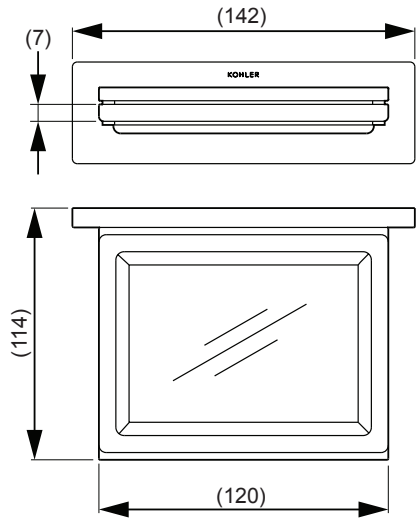
25066IN-
TOWEL SHELF**



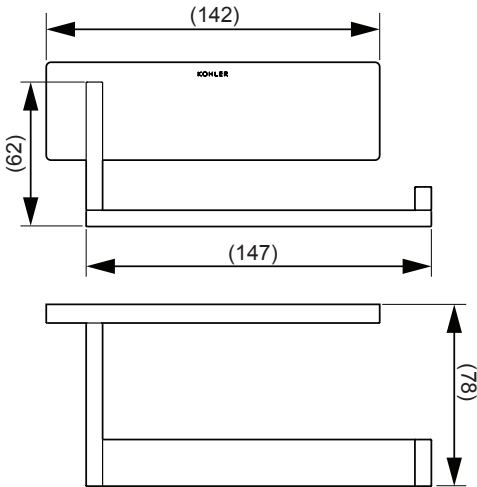
25067IN-
TOWEL RING**



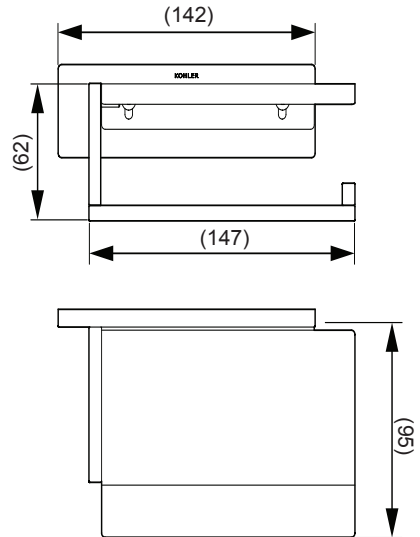
25068IN-
SOAP DISH**



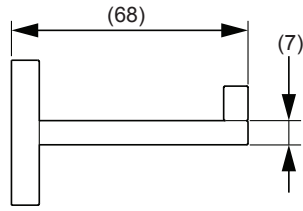
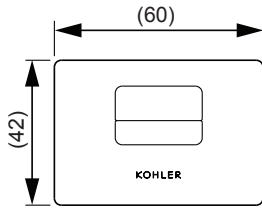
25069IN-
SOAP DISH GLASS**



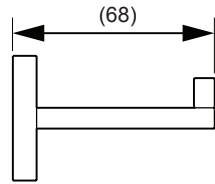
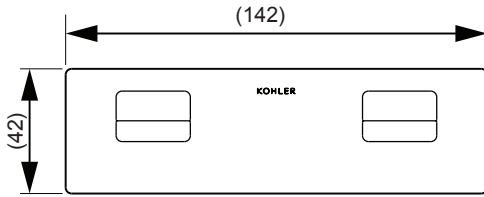
25070IN-
TOILET PAPER HOLDER WITHOUT COVER**



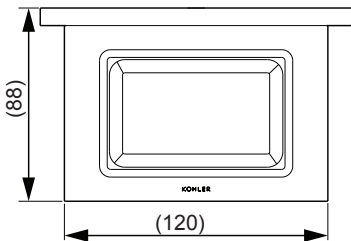
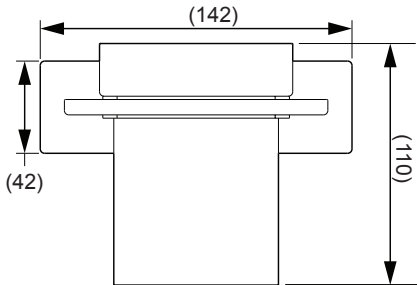
25071IN-
TOILET PAPER HOLDER WITH COVER**



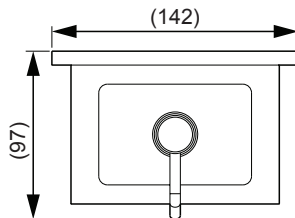
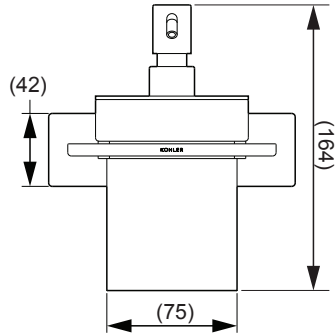
25072IN-**
SINGLE ROBE HOOK



25073IN-**
DOUBLE ROBE HOOK



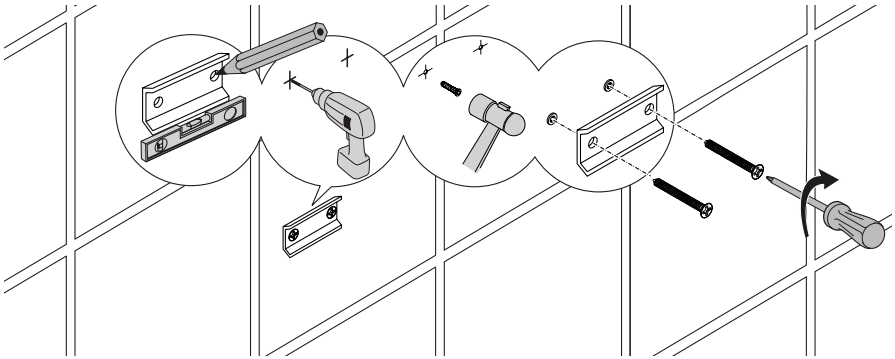
25074IN-**
TUMBLER HOLDER



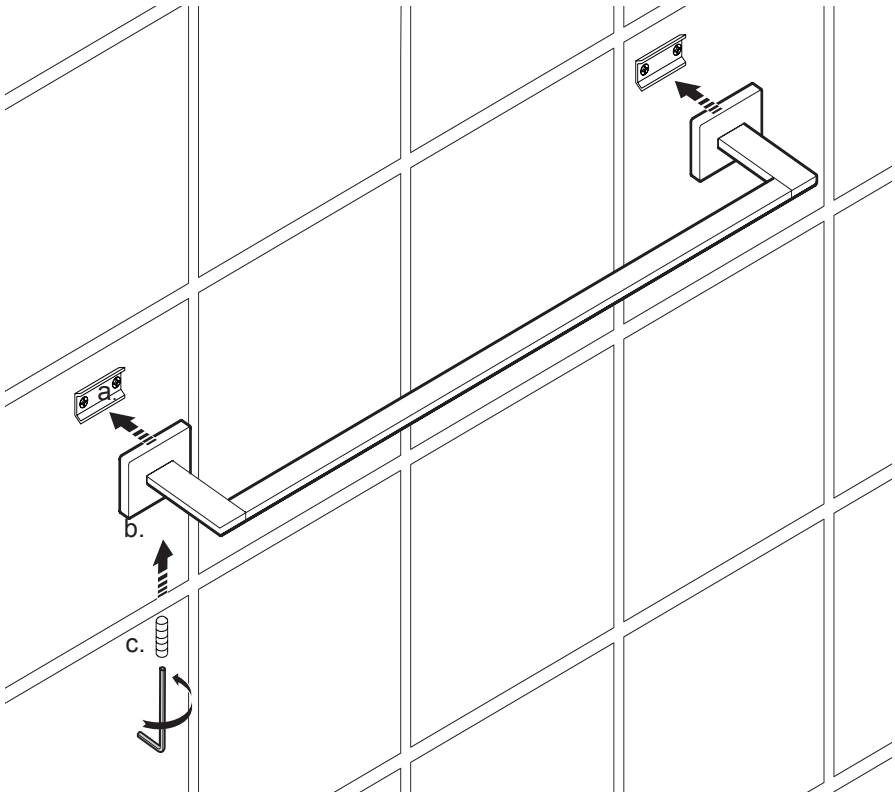
25075IN-**
LIQUID SOAP DISPENSER

INSTALLATION INSTRUCTIONS

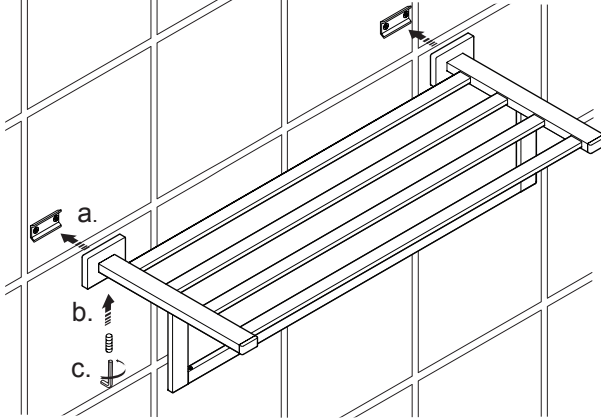
Wall Bracket installation, common to all accessories.



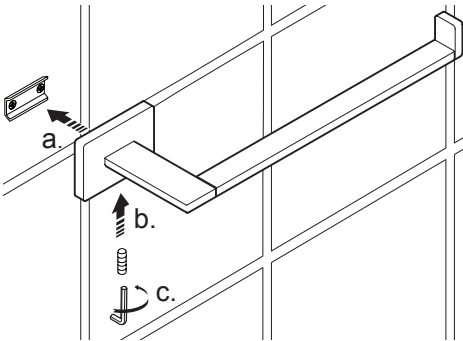
SINGLE TOWEL BAR 25065IN-**



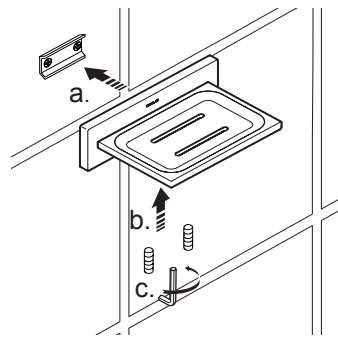
TOWEL SHELF 25066IN-**



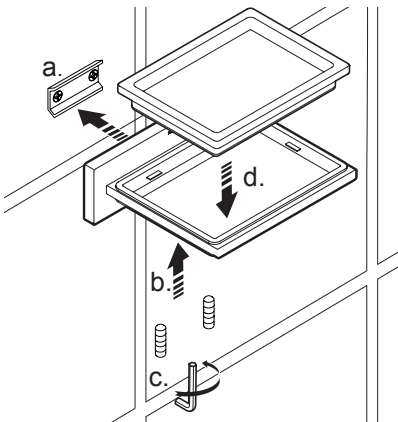
TOWEL RING 25067IN-**



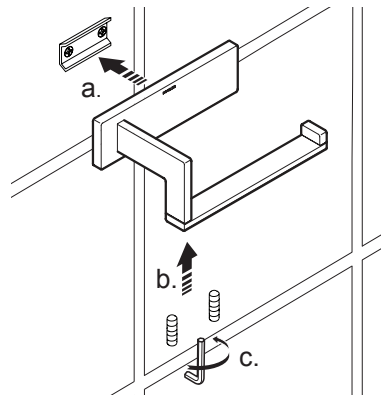
SOAP DISH 25068IN-**



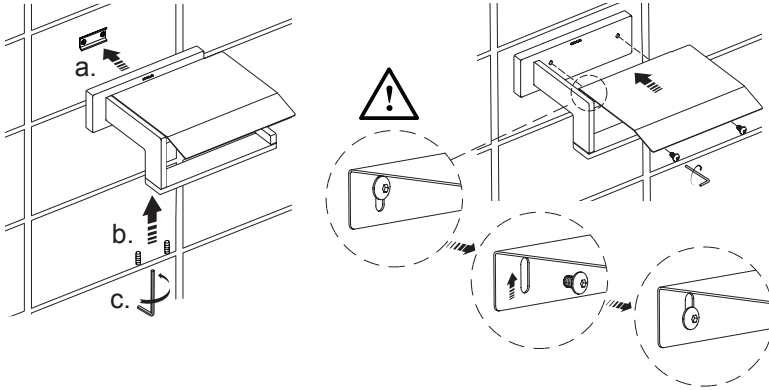
SOAP DISH GLASS 25069IN-**



TOILET PAPER HOLDER WITHOUT COVER 25070IN-**

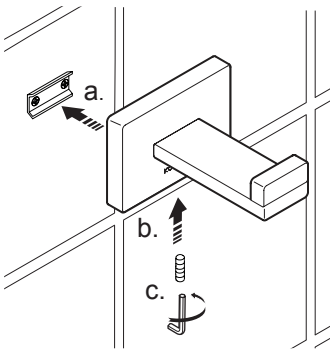


TOILET PAPER HOLDER WITH COVER 25071IN-**

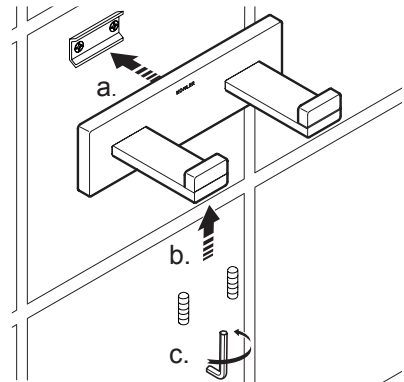


! Adjust cover position as per requirement.

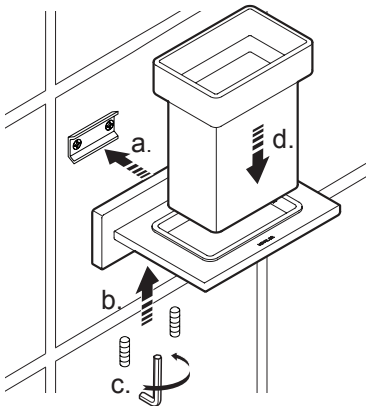
SINGLE ROBE HOOK 25072IN-**



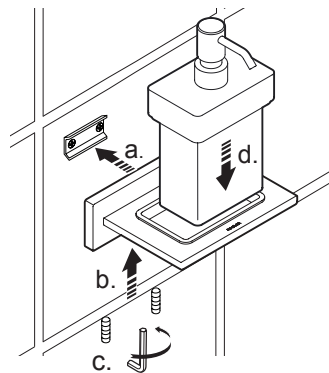
DOUBLE ROBE HOOK 25073IN-**



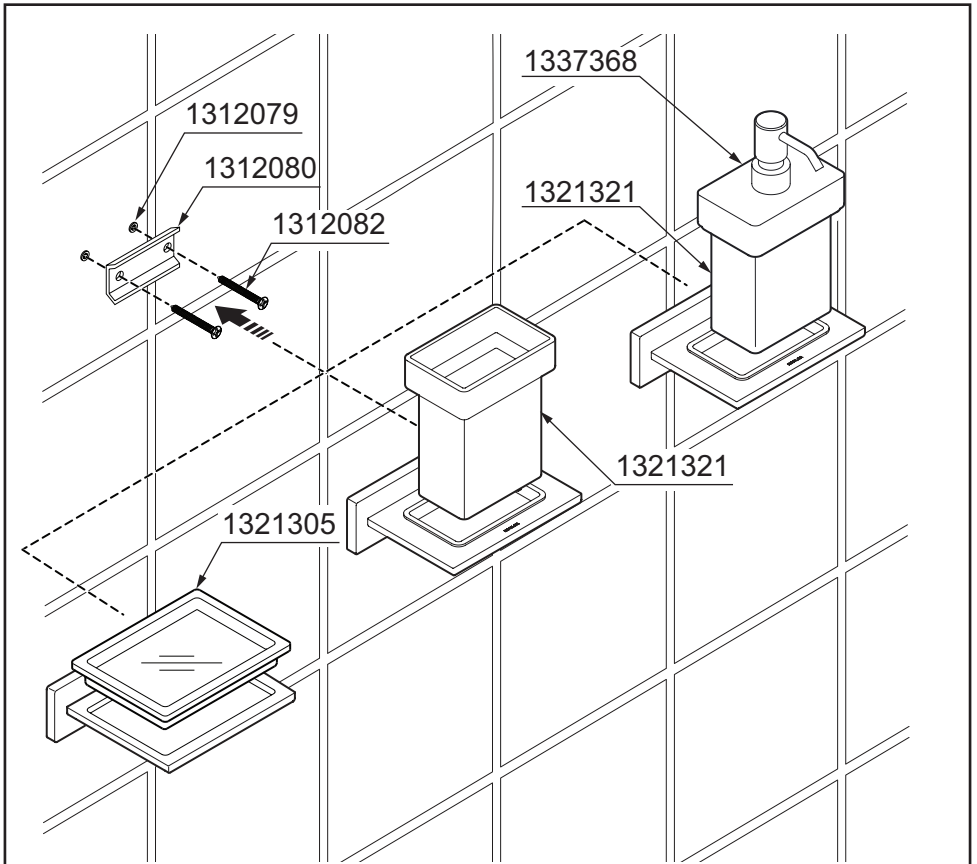
TUMBLER HOLDER 25074IN-**.



LIQUID SOAP DISPENSER 25075IN-**



SERVICE PARTS



**_Color code must be specified when ordering.

THE BOLD LOOK
OF **KOHLER**®

Kohler India Corporation Pvt. Ltd.

6th Floor, Office Tower, Ambience Island,
NH-8, Gurugram-122002, Haryana, INDIA.

Customer Care : 1800 103 2244 (Toll Free) &
+91-124-4319685 / 86

Email : indiacustomer@kohler.com

Website: www.kohler.co.in

All information is based on the latest product information available at the time of publication. Kohler Co. reserves the right to make changes in product characteristics, packaging or availability at any time without notice.