

**Whitehaven® Hayridge®**

Double-Bowl Farmhouse Kitchen Sink with Tall Apron

**K-6349-0****Features**

- Textured ridge design on apron-front.
- Fits minimum 36" (914 mm) apron sink base cabinet.
- Large/medium bowls.
- 9" (229 mm) depth provides generous workspace.
- Self-Trimming® apron overlaps cabinet face for easy installation and beautiful results.
- Smart Divide® feature offers a lower bowl divider that increases workspace versatility.
- Basin slopes 2° toward drain to minimize water pooling.
- Offset drain increases workspace in the sink and storage space underneath.
- Includes cutout templates.

**Material**

- KOHLER® enameled cast iron.

**Installation**

- Undermount.

**Recommended Products/Accessories**

K-5828 Sink Rack  
 K-5874 Sink Rack  
 K-8801 Sink drain and strainer with tailpiece  
 K-8799 Sink drain and strainer basket  
 K-23726 Drain treatment  
 K-23725 Cast iron cleaner

**Optional Products/Accessories**

K-11352 Disposal Flange with Stopper  
 K-9000 P-Trap

**Codes/Standards**

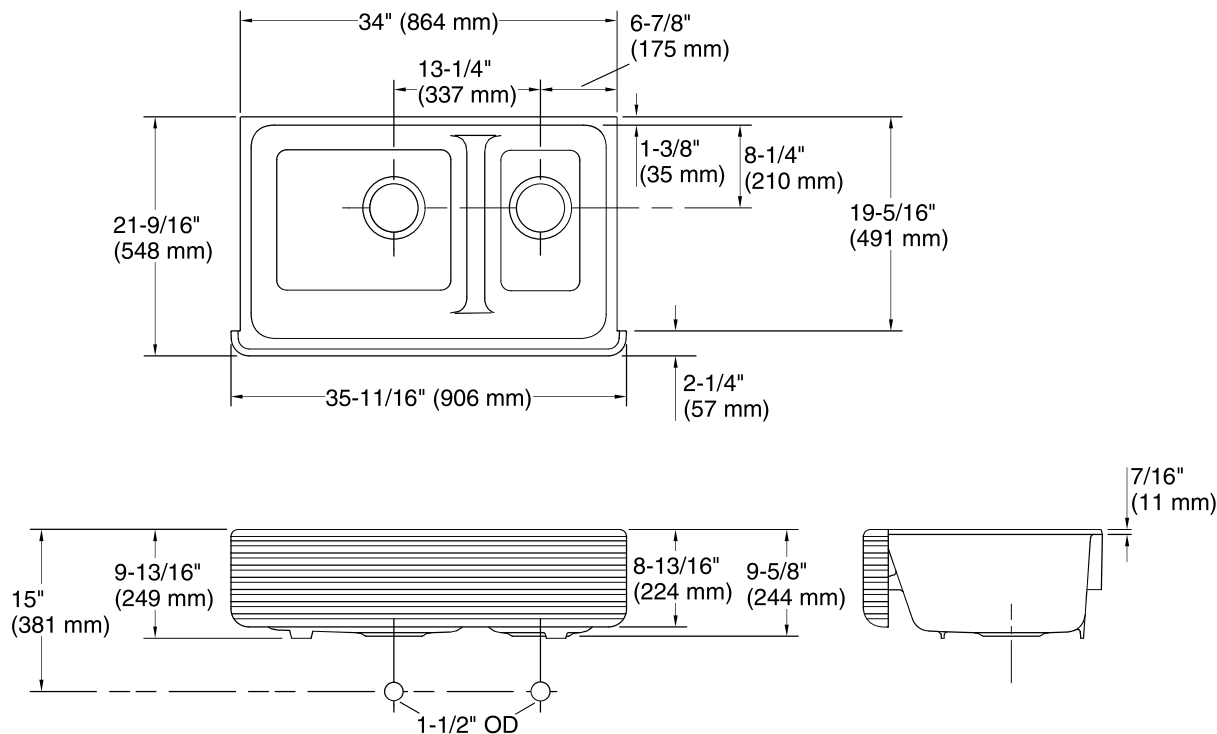
ASME A112.19.1/CSA B45.2

**KOHLER® Enameled Cast Iron Kitchen Sink Lifetime Limited Warranty**

See website for detailed warranty information.

**Available Colors/Finishes***Color tiles intended for reference only.***Color Code Description**

	0	White
--	---	-------



**Technical Information**

All product dimensions are nominal.

- Bowl configuration: Off-set Large/small
- Installation: Under-mount
- Min. base cabinet width: 36" (914 mm)
- Bowl area (Left): Length: 18-13/16" (478 mm)  
Width: 18-1/16" (459 mm)  
Bowl depth: 9" (229 mm)  
Water depth: 9" (229 mm)
- Bowl area (Right): Length: 10-5/16" (262 mm)  
Width: 18-1/16" (459 mm)  
Bowl depth: 9" (229 mm)  
Water depth: 9" (229 mm)
- Drain hole: 3-5/8" (92 mm)
- Template: 1156910-7, required, included  
1157001, required, included

**Notes**

Install this product according to the installation instructions.

NOTICE: The countertop manufacturer or cutter must use the cut-out template provided with the product, or a current one provided by Kohler Co. (call 1-800-4KOHLER). Kohler Co. is not responsible for cut-out errors when the incorrect cut-out template is used.

IMPORTANT! The distance from the top edge of the cabinet to the top of the cabinet door must be at least 9" (229 mm) to install this sink.