

**Crue™**

Pull-down Single-Handle Kitchen Faucet

**K-22972-CP**



**Features**

- Three-function pull-down sprayhead with touch control allows you to switch between aerated stream, ring spray and Boost technology.
- Boost technology increases the flow rate by 30% with the press of a button. Use Boost with stream for faster filling or with ring spray for more powerful cleaning.
- DockNetik® magnetic docking system securely locks the sprayhead into place when not in use.
- ProMotion® technology's light, quiet braided hose and swiveling ball joint make the pull-down sprayhead easier and more comfortable to use.
- MasterClean™ sprayface features an easy-to-clean surface that withstands mineral buildup.
- High-arch swing spout offers vertical clearance for tall cookware and pitchers.
- Single lever handle makes adjusting water temperature easy.
- 1.5 gpm (5.7 lpm) maximum flow rate at 60 psi (4.14 bar).
- Temperature memory allows faucet to be turned on and off at the temperature set during prior usage.
- KOHLER ceramic disc valves exceed industry longevity standards for a lifetime of durable performance.

**Material**

- Premium metal construction for durability and reliability.
- KOHLER finishes resist corrosion and tarnishing.

**Installation**

- Single-hole or three-hole installation (escutcheon plate included).
- Flexible supply lines simplify installation.

**Recommended Products/Accessories**

- K-77685 Single-Cartridge Water Filtration System
- K-77686 Double-Cartridge Water Filtration System
- K-77687 single replacement filter cartridge
- K-77688 Replacement Filter Cartridges, Two-Pack

**Optional Products/Accessories**

- 1012715 Kitchen Faucet Deep Rough-In Kit

**ADA**

**CSA B651**

**Codes/Standards**




ASME A112.18.1/CSA B125.1  
 NSF/ANSI 61  
 NSF/ANSI 372  
 All applicable US Federal and State material regulations  
 DOE - Energy Policy Act 1992  
 California Energy Commission (CEC)  
 ADA  
 ICC/ANSI A117.1  
 CSA B651

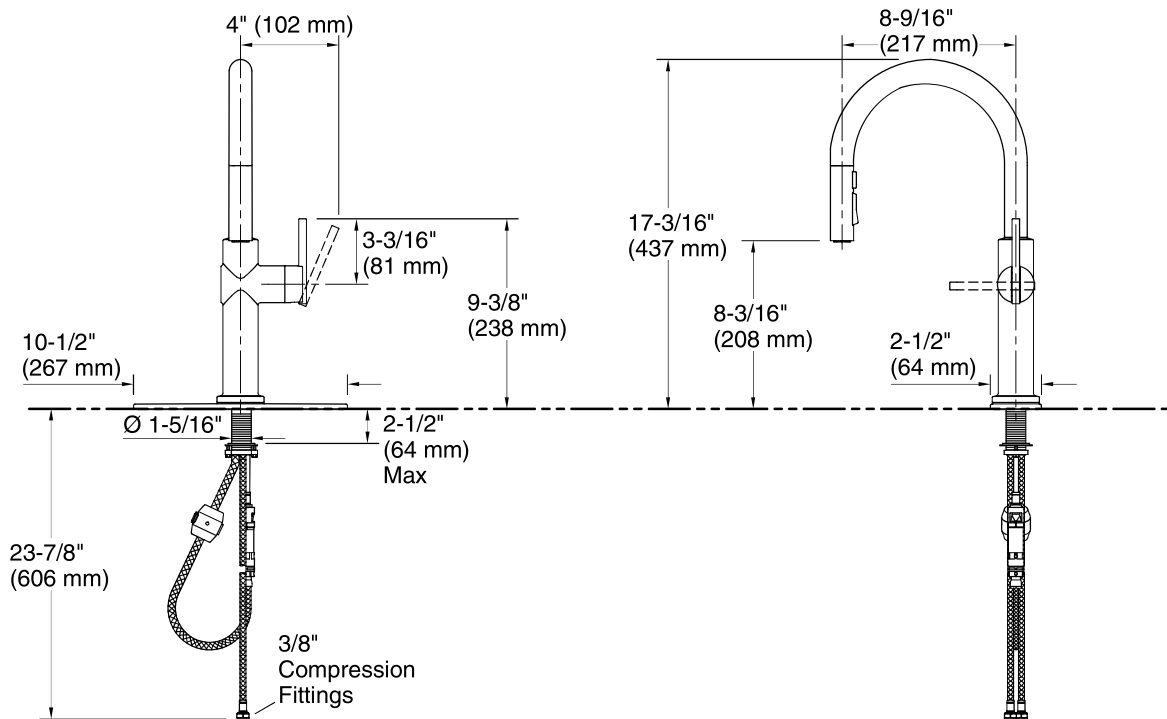
**KOHLER® Faucet Lifetime Limited Warranty**

See website for detailed warranty information.

**Available Colors/Finishes**

*Color tiles intended for reference only.*

Color	Code	Description
	CP	Polished Chrome
	VS	Vibrant® Stainless
	BL	Matte Black
	2MB	Vibrant® Brushed Moderne Brass



## Technical Information

All product dimensions are nominal.

### Faucet:

Flow rate: 1.5 gal/min (5.7 l/min)  
 Pressure: 60 psi (4.1 bar)  
 Valve body: Plastic

### Spout:

Spout reach: 8-9/16" (217 mm)  
 Fixture pressure max (static): 125 psi (861.8 kPa)

## Pressure and Supply Requirements

Fixture pressure min (static): 20 psi (137.9 kPa)

## Fixture Supply Requirements

Min static pressure: 20 psi (137.9 kPa)  
 Max static pressure: 125 psi (861.8 kPa)

## Notes

Install this product according to the installation instructions.

ADA complaint for faucet handles only.

ADA, CSA B651 compliant when installed to the specific requirements of these regulations.

Flow Curve

