

**NOTE:** before cutting countertop Allow for handle clearance  
注意: 在切割台面之前, 请留出安装龙头的空间。

**NOTE:** Using this template, the overhung is about 6mm. Customers can zoom the template by scale to meet their requirement.

注意: 采用此切割模板切割的台面内沿到面盆内边缘的距离为6mm左右, 客户可根据需要按比例缩放用以切割台面。

FINISHED WALL / BACK SPLASH  
完工墙面/防溅挡板

CENTERLINE OF FITTING  
安装中线

RIM OF LAVATORY  
脸盆边缘

**KOHLER**

**K-21782T  
HARKEN 茜卡**

**OVAL UNDER-COUNTER LAVATORY  
椭圆形台下盆  
CUT-OUT TEMPLATE / INSTALLATION INSTRUCTIONS  
切割图/安装说明书**

**BEFORE YOU BEGIN**

- Due to the nature of the installation, undercounter lavatories should be installed by trained and experienced installers.
- Do not use adhesives or adhesive sealants between marble countertop and lavatory.
- Inspect the waste and supply tubing; replace if necessary.
- Prior to installation, unpack the new lavatory and inspect it for damage. Return the lavatory to its protective carton until you are ready to install it.
- Observe all local plumbing and building codes.
- Kohler lavatory is made according to American National Standard that it can match the American lavatory fittings. Any other lavatory fittings may not fit for Kohler lavatory.
- Fixture dimensions are nominal and conform to tolerances established by ASME Standards (A112.19.2-2013).
- The product complies with GB/T 6952-2015.
- Please purchase 880089-CP as accessory to match with draw bar faucet of Kohler brand.

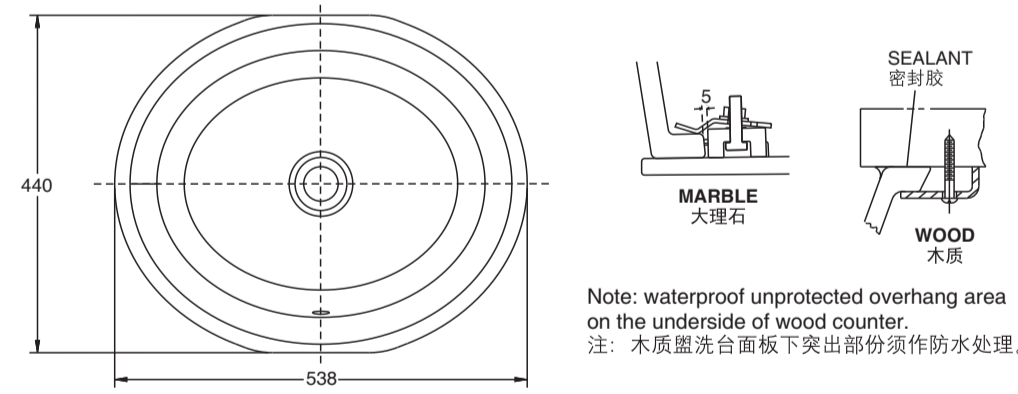
**TOOLS AND MATERIALS**

- Sealant
- Pencil
- Tape measure
- Sharp knife or scissors
- Keyhole or saber saw
- Drill (13mm dia. drill bit or larger)
- Safety glasses
- Hammer
- Rags or paper toweling
- Strong AB sealant

**NOTE:** You may require different, more specialized tools to install this lavatory to countertop materials other than wood or wood composites.

**ROUGHING-IN**

Reference Value  
参考值



Kohler reserves the right to change marked dimensions without prior notice.  
科勒公司保留随时变更图中标示尺寸的权利, 无需另行通知。

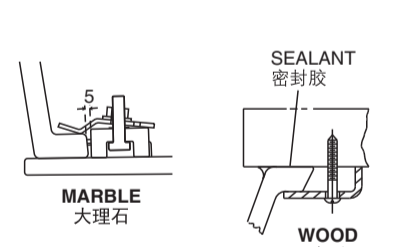
**所需的工具和物料**

- 密封胶
- 软性铅笔
- 卷尺
- 尖刀或剪刀
- 匙孔线锯或手电锯
- 直径13毫米或者更大的钻头
- 护眼镜
- 锤子
- 抹布或者纸质毛巾
- 高强度AB胶

**注意:** 若盥洗台的物料并非木质或木质合成品, 则您可能需要在安装脸盆时使用其他更专业的工具。

**尺寸图**

Unit: mm  
单位: 毫米



**Note:** waterproof unprotected overhang area on the underside of wood counter.  
注: 木质盥洗台面板下突出部份须作防水处理。

**INSTALL THE LAVATORY**

**NOTE:** Install so future removal from underneath the countertop is possible to avoid damage to the countertop.

- Check the desired lavatory location for clearance between the backsplash, faucet, fixture, and cabinet.
- Cut out the template.
- Locate the installation position. Make sure the overflow hole is on the front of the countertop and the logo is on the faucet side.
- Carefully position and trace the template on the countertop as directed on the template.
- Mark the faucet hole centerline on the countertop.
- Drill a 13mm pilot hole on the inside of the cut line.
- Cut out the countertop opening with a saber or keyhole saw.

**FOR WOOD COUNTERTOPS**

- Mark and pre-drill the wood screw holes at the locations shown on the template.
- Waterproof any exposed areas of wood.

**FOR MARBLE COUNTERTOPS**

- Clean the countertop and block. Keep them dry.

- Take same amount of strong A and B sealant and mix them up.

- Insert the screw into the hole on middle of the block and then apply the mixed sealant onto the block.

- Glue the block to the countertop as shown.

- Fix the block and keep at least 5mm from the edge of the lavatory.

**安装脸盆**

**注意:** 安装中要允许将来可以从盥洗台面之下进行拆装, 以免台面损坏。

- 检查准备装上脸盆的位置, 是否与防溅挡板、水龙头、脸盆及储物柜保持足够的距离。
- 剪出模板。
- 请确定产品安装位置, 注意溢水孔位置在安装面前端, 商标位置在水龙头安装面一侧。
- 将模板小心放置于台上, 并在台面上按照模板画出其边缘轮廓导线。
- 在盥洗台上标出水龙头孔位的中心线。
- 在切线内侧钻出一个13毫米的导孔。
- 用匙孔线锯或者手电锯切开盥洗台面。

**木制盥洗台面**

- 按照模板所示的位置, 在台面上标出及预先钻穿木螺钉的孔位。
- 其它外露的木质表面需要保持防水。

**大理石盥洗台**

- 清洁台面和定位块, 并保持干燥。

- 取高强度A、B胶若干, 按1:1搅匀。

- 将螺丝放入定位块中间的孔内, 并将搅匀的胶水涂抹在定位块上。

- 将定位块按位置与台面粘合。

- 固定定位块, 并与盆边保持5mm以上的距离。

- Place the lavatory after 2 hours. Tighten the screw and apply silicone sealant around the edge of the lavatory.

- 2小时后将盆放好, 拧紧螺母, 沿盆边打好硅胶。

- Keep away from heavy objects within 24 hours.

- 24小时内勿承重物。

**FOR ALL INSTALLATIONS**

- If the countertop has not been installed, install it at this time.
- Drill the faucet holes according to the faucet installation instructions.
- Install the faucet to the countertop according to the manufacturer's instructions.
- Install the drain to the lavatory according to the manufacturer's instructions.

**NOTE:** Please do not use sealant with contractility after drying, such as marble adhesive.

- Apply a continuous bead of quality sealant to the lavatory rim where it will contact the countertop, such as glass cement.

**NOTE:**

- For wooden countertop, use the clamp assembly supplied.
- For countertop made of wood or wood compound (over 25mm thick), purchase clamp assembly 52047.
- For countertop of other materials, use proper clamp assembly by referring to the suggestions on the installation instructions of the countertop manufacturer.

- Position the lavatory squarely under the cutout before tightening the clamps. Draw the lavatory rim up to the countertop until it is snug. **Do not overighten.**
- Immediately wipe away any excess sealant.
- Make the final drain and faucet connection to complete the lavatory installation. Be sure to follow all instructions packed with the drain and faucet.
- Clean up with a **non-abrasive** cleaner.

**IMPORTANT CONSUMER INFORMATION (CARE AND CLEANING)**

- To keep your lavatory looking new, make sure you rinse it out thoroughly after each use. **DO NOT USE ABRASIVES** on this product, as they will scratch and ruin the surface. Stubborn stains, paint, or tar can be removed with turpentine or paint thinner.
- Do not use the product in the water below 0°C.
- Please do not use hard materials (like scouring pad) to clean product surface, especially the product logo.

- 为保持脸盆光洁如新, 须确保每次使用后彻底冲洗干净, 切勿使用腐蚀性的清洁剂, 以免刮花及破坏脸盆的表面。要清除顽固垢层, 油漆或柏油, 可使用松油或油漆稀释剂。

- 不要在0°C以下的水环境中使用。
- 请勿使用钢丝球等硬质材料擦洗产品表面, 特别是产品商标处。

**FOR ARTIST EDITION PRODUCTS**

Treat your decorative product just as you would treat your fine china. The best way to clean it is to use warm water and pat dry with a cotton cloth or soft sponge. **DO NOT USE** bristle brushes or abrasive-backed sponges. They will scratch the decorative surface.

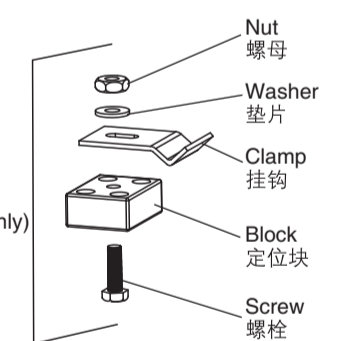
**艺术陶瓷品使用及保养须知**

请您像珍惜您的珍贵瓷器一样对待您的艺术系列产品。最佳清洗方式为使用温水擦洗, 然后用棉布或软海绵轻轻拍干。请勿使用粗硬的刷子或带颗粒面的海绵, 以免划伤装饰表面。

**SERVICE PARTS**

**维修零件**

1321585  
Clamp Accessory Pack  
夹子组件  
(仅适用于大理石台面)



**Note:** Please purchase clamp accessory pack 52047 for wooden countertop.  
注意: 如为木质台面, 请另购买夹子组件52047。

**CLIP LOCATIONS**  
夹子位置

**IMPORTANT:**

For wooden countertop, basin clamp assembly 52047 purchased can only be used on countertops with a minimum thickness of 1". Installer must supply anchors for thinner countertops.

**重要:**  
对于木质台面, 另购的52047夹子组件仅可用于厚度最少为25mm的台面。如果台面较薄, 请另外使用膨胀螺栓固定。

**BLOCK**  
定位块

Position of Overflow Hole  
溢水孔位置在安装面前端

No.2 KOHLER ROAD, SANSHUI CENTRAL INDUSTRIAL PARK, LEPING TOWN, SANSHUI DIST., FOSHAN, GUANGDONG, PRC POST CODE 528137  
广东省佛山市三水区乐平镇三水中心工业园区科勒大道2号 邮编: 528137

8# MENGSHAN RD, ECONOMIC DEVELOPMENT ZONE OF HUANTAI, ZIBO, SHANDONG, CHINA POST CODE: 256410  
山东省淄博市桓台经济开发区蒙山路8号 邮编: 256410

1354620-T01-B

© Copyright Kohler China Investment Co., Ltd. 2018  
© 版权为科勒(中国)投资有限公司所有 2018