

### CONTACT DETAIL -



IN



Kohler India Corporation Pvt. Ltd.  
6th Floor. Office Block, Ambiance Island, NH-8  
Gurgaon - 122002, Haryana, India



Customer Care No : 1800 103 2244  
(Toll Free) & +91-124-4319685 / 86  
Customer Care Email : [indiacustomer@kohler.com](mailto:indiacustomer@kohler.com)  
[www.kohler.co.in](http://www.kohler.co.in)

5630IN-\*\* - 24" SINGLE TOWEL BAR  
5631IN-\*\* - TOWEL RING  
5632IN-\*\* - PAPER/TISSUE HOLDER  
5633IN-\*\* - PAPER/TISSUE HOLDER  
WITH COVER

5634IN-\*\* - SOAP DISH  
5635IN-\*\* - SINGLE ROBE HOOK  
5636IN-\*\* - GLASS SHELF  
5637IN-\*\* - TUMBLER HOLDER

### BEFORE YOU BEGIN

All information is based on the latest product information available at the time of publication. Kohler Co. reserves the right to make changes in product characteristic, packaging or availability at any time without notice. Please leave these instructions for the consumer. They contain important information.

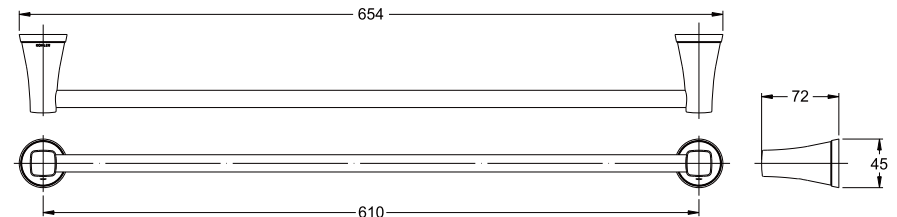
#### NOTE:

These products should be located and mounted to a wall. While it is possible to mount them to any surface, a stud or concrete. Mounted product will yield the best results.

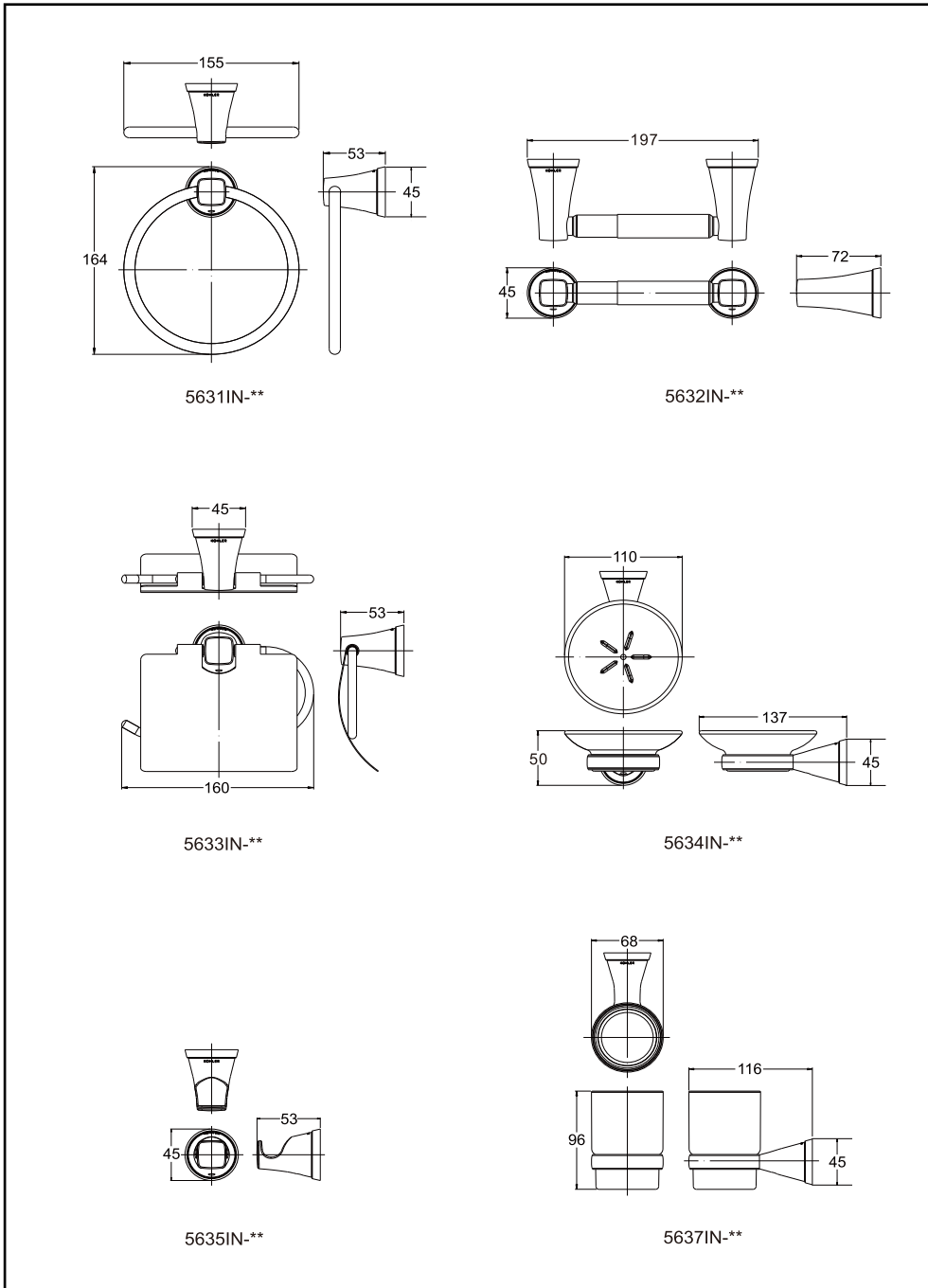
#### DANGER: ( Risk of personal injury)

These products are not designed or intended for use as a grab bar or support bar. Do not install any of these products in any area where they are likely to be used inadvertently as a grab bar or support bar.

### ROUGH-IN DIMENSIONS



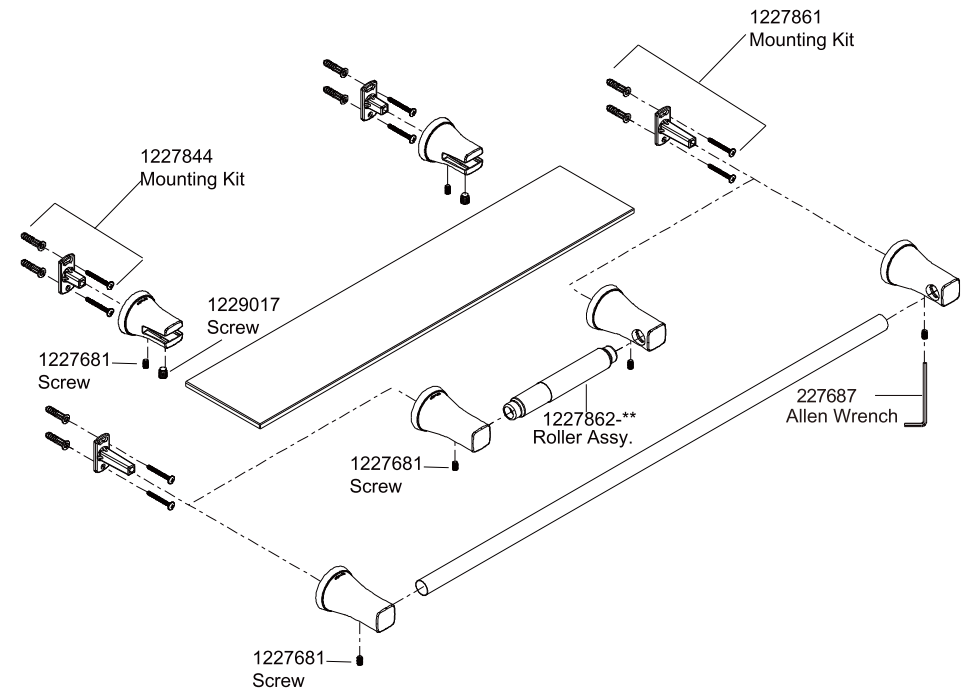
5630IN-\*\*



**KOHLER®**  
ACCESSORY SERVICE PARTS

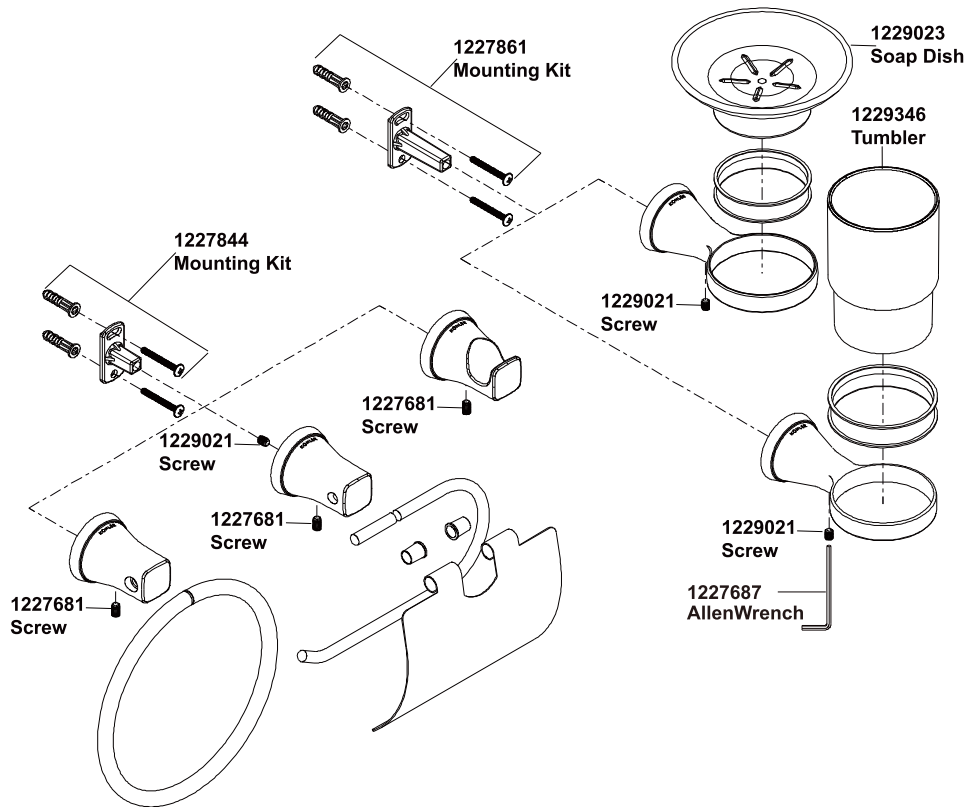
**COMPLIMENTARY**  
Accessories

- 5636IN-\*\* GLASS SHELF
- 5632IN-\*\* PAPER/TISSUE HOLDER
- 5630IN-\*\* 24" SINGLE TOWEL BAR

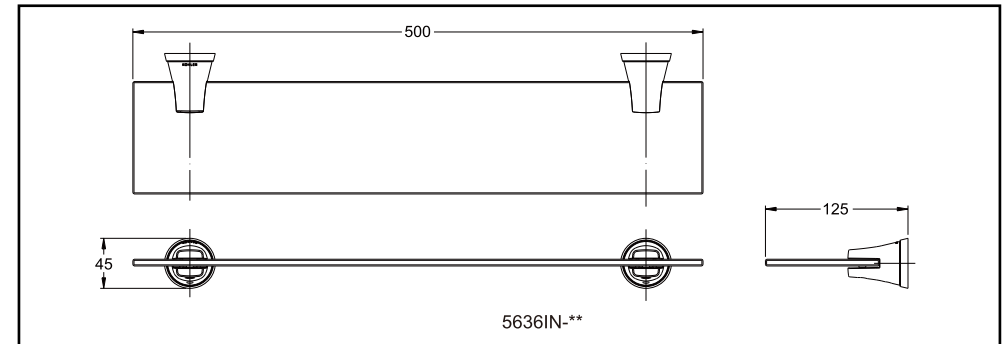


\*\*Color code must be specified when ordering

5631IN-**	TOWEL RING
5633IN-**	PAPER/TISSUE HOLDER WITH COVER
5635IN-**	SINGLE ROBE HOOK
5637IN-**	SOAP DISH
5634IN-**	TUMBLER HOLDER

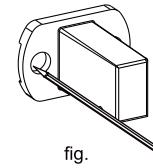


\*\*Color code must be specified when ordering

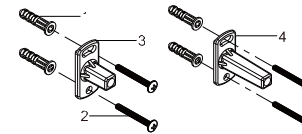


### INSTALLATION

#### How to install the bracket for all products

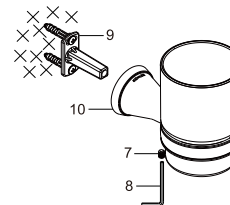


Select a location on the vertical wall to install the bracket. As shown in fig. Mark anchor (1) mounting hole locations on wall as shown, Ensure two screw holes are horizontal. Drill holes in the finished wall as required.



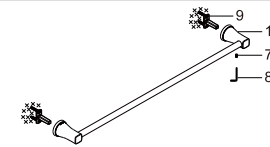
Press the anchors (1) into the holes, secure the brackets (3) with the self tapping screws (2). Make sure the bulge on the bracket upwards.

#### How to install the Tumbler Holder



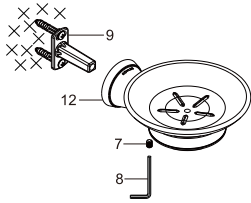
Slide the Tumbler Holder (10) onto the bracket (9). Orient the screw hole of the holder downward. Tighten the screw (7) with the hex wrench (8) to secure the Tumbler Holder.

#### How to install the Towel bar



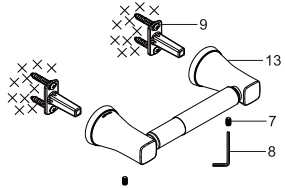
Slide the extension of the towel bar kit (11) onto the bracket (9). Orient the screw hole of the extension downward. Tighten the screw (7) with the hex wrench (8) to secure the towel bar kit.

### How to install the Soap Dish



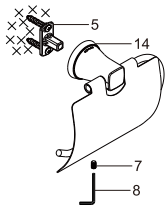
Slide the soap dish (12) onto the bracket (9). Orient the screw hole of the soap dish downwards. Tighten the screw (7) with the hex wrench (8) to secure the soap dish.

### How to install the Paper/Tissue Holder



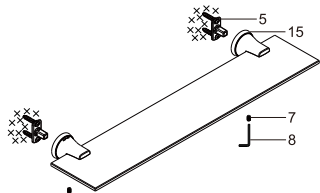
Slide the toilet tissue holder (13) onto the bracket (9). Orient the screw hole of the holder downwards. Tighten the screw (7) with the hex wrench (8) to secure the toilet tissue holder.

### How to install the Paper/Tissue Holder with Cover



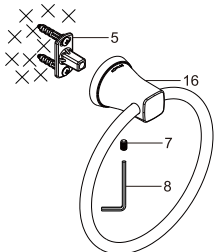
Slide the covered toilet tissue holder (14) onto the bracket (5). Orient the screw hole of the holder downwards. Tighten the screw (7) with the hex wrench (8) to secure the toilet tissue holder.

### How to install the Glass Shelf



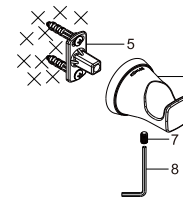
Slide the extension of the glass shelf holder (15) onto the bracket (5). Orient the screw hole of the extensions downward. Tighten the screw (7) with the hex wrench (8) to secure the glass shelf kit.

### How to install the Towel Ring



Slide the towel ring (16) onto the bracket (5). Orient the screw hole of the towel ring downwards. Tighten the screw (7) with the hex wrench (8) to secure the towel ring.

### How to install the Single Robe Hook



Slide the single robe hook (6) onto the bracket (5). Orient the screw hole of the hook downwards. Tighten the screw (7) with the hex wrench (8) to secure the single robe hook.

### INSTALLATION CHECKOUT

Ensure that all connections are tightened.

### CLEANING INSTRUCTION

