

### 99176T-4E2 Tube Spout Kitchen Faucet

#### BEFORE YOU BEGIN

All information is based on the latest product information available at the time of publication. Kohler Co. reserves the right to make changes in product characteristics, packaging, or availability at any time without notice.

Please leave these instructions for the consumer. They contain important information.

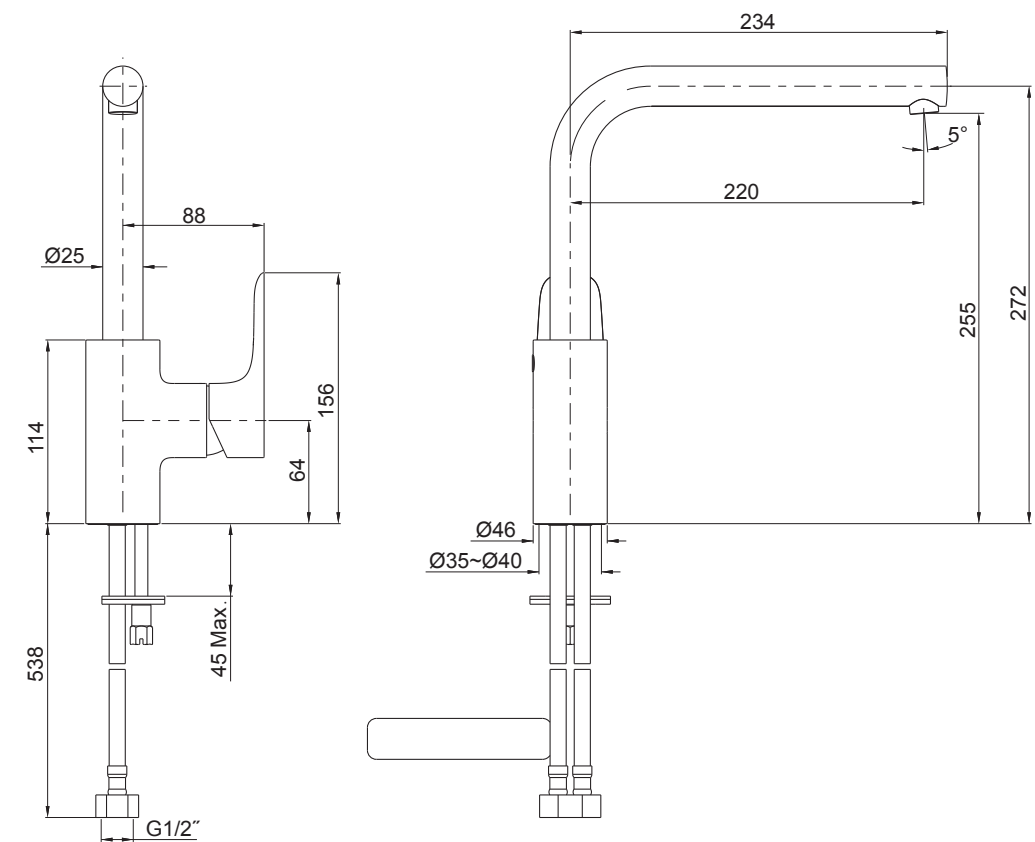
#### NOTE:

1. Inspect the supply pipes for damage and leakage. Replace and maintain as necessary
2. Flush the water supply pipes thoroughly to remove any debris.
3. If possible, install this faucet before installing sink.

#### HANDLE OPERATION

Open the handle gently. Turn clockwise for cold water, turn counter clockwise for hot water.

#### ROUGH-IN DIMENSIONS

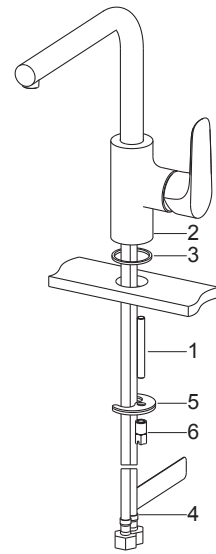


## INSTALLATION

Install the mounting stud(1) into the faucet body base(2). Insert the washer (3) under the body assembly. Insert the flexible supply hoses(4) into the sink.

From underside of the sink, place the washers(5, rubber washer is on the top) and the nut(6) onto mounting stud. Position the faucet so that the handle is on the right side. Tighten nut to secure faucet to the sink.

Attach the hoses to water supplies. The hose with "COLD" label is for cold water.

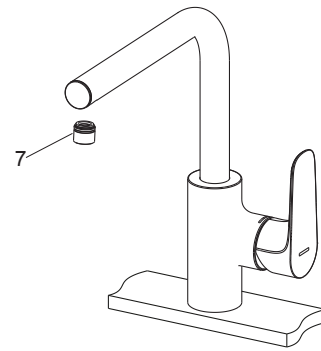


## INSTALLATION CHECKOUT

Ensure that all connections are tightened and the handle is in the off position.

Open the drain. Turn on main water supply and check for leaks. Repair as required.

Remove the aerator(7). Turn the faucet handle on. Run hot and cold water through the spout for about one minute to remove any debris. Remove debris from the aerator. Shut off the faucet and reinstall the aerator.

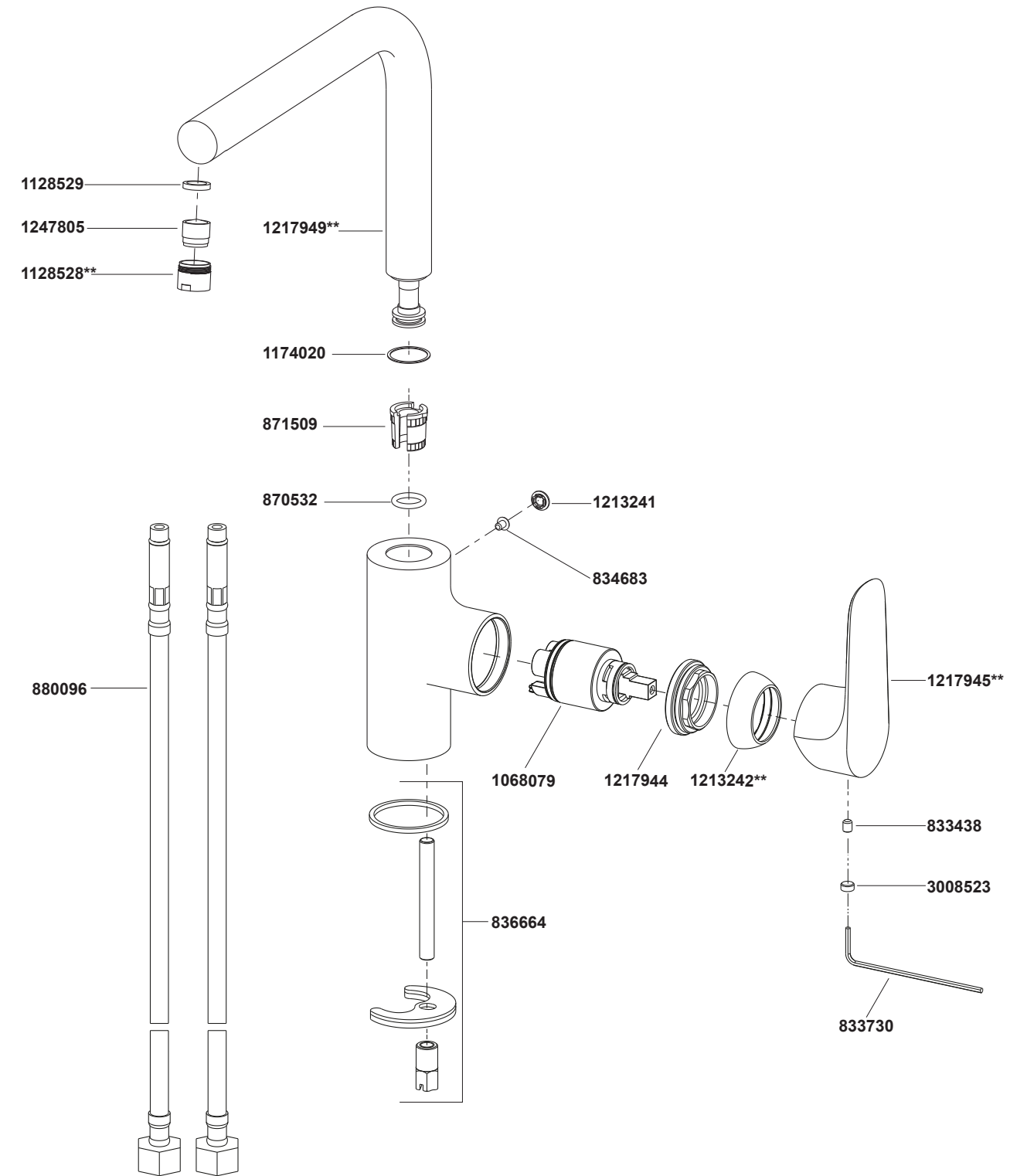


## CLEANING INSTRUCTIONS

All Finishes: Clean the finish with mild soap and warm water. Wipe entire surface completely dry with clean soft cloth. Many cleaners may contain chemicals, such as ammonia, chlorine, toilet cleaner etc, which could adversely affect the finish and are not recommended for cleaning.

Do not use abrasive cleaners or solvents on Kohler faucets and fittings.

## 99176T-4E2 Tube Spout Kitchen Faucet



\*\*Color code must be specified when ordering