

**K-77761T-1/-4/-8/K-77775T-1/-4/-8/K-77775A-1/-4/-8**  
**MODERN LIFE 明菜**

**CUT-OUT TEMPLATE / INSTALLATION INSTRUCTIONS**  
**切割图/安装说明书**

**VESSEL**  
**时尚脸盆**

Outline  
外形轮廓

Finished Wall  
完工墙面

**BEFORE YOU BEGIN**

- Observe all local plumbing and building codes.
- Inspect the waste and supply tubing; replace if necessary.
- Prior to installation, unpack the new lavatory and carefully inspect it for damage. Return the lavatory to its protective carton until you are ready to install it.
- For replacement installations, make sure the existing cutout is the same or smaller size as the new lavatory.
- Use the template supplied with the lavatory to mark correct size cutout.
- Kohler lavatory is made according to American National Standard that it can match the American lavatory fittings. Any other lavatory fittings may not fit for Kohler lavatory.
- Fixture dimensions are nominal and conform to tolerances established by ASME Standards (A112.19.2-2013).
- The product complies with GB/T 6952-2015.

**安装之前**

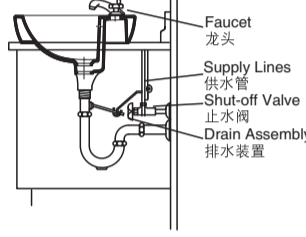
- 留意当地所有给排水及建筑规定。
- 检查污水管及供水管，如有需要请更换。
- 安装之前，先开启新脸盆的包装，并小心检验新的脸盆是否有损坏，再将脸盆放回包装盒内，到安装时才取出。
- 若为更换新脸盆，须确保现有的柜台孔口与新脸盆的切割位相同或较后者小。
- 请使用同时印在此说明书上的切割图，标划正确之切割位。
- 科勒洗脸盆是根据美国标准制造的，与美式洗脸盆配件相配，其它洗脸盆配件可能与之不相配。
- 部件尺寸为标定值，误差符合美国ASME标准(A112.19.2-2013)。
- 本产品符合GB/T 6952-2015。

**REMOVE EXISTING LAVATORY**

- Turn off the water supply to the faucet.
- Open the faucet valves, then disconnect the supply lines.
- Disconnect the drain assembly and remove the trap.
- Remove the existing lavatory.

**INSTALL NEW LAVATORY**

- Cut the template on the cutout line.
- Position the template on the countertop to ensure clearance between the lavatory, faucet, and backsplash.
- Verify cabinet clearance beneath the countertop.

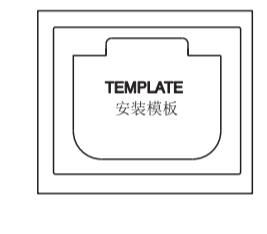


**拆除旧脸盆**

- 关掉水龙头的供水源。
- 打开龙头阀门，然后断开供水管。
- 再旋开排水装置，并拿开弯管。
- 移走旧脸盆。

**安装新脸盆**

- 将切割图沿切割线切出。
- 将切割图放在盥洗台上，确保脸盆、水龙头和防溅挡板之间有足够的距离。
- 查核盥洗台下的储物柜也有足够空间。



**TOOLS AND MATERIALS (Not Supplied)**

- Template(supplied)
- Safety glasses
- Pencil
- Scissors
- Tape measure
- Putty knife
- Plumbers putty
- Hacksaw
- Keyhole saw or saber saw
- Drill (13mm or 1/2" dia. drill bit or larger)
- Adjustable wrench
- Pipe wrench
- Tubing cutter

**所需工具及物料**

- 模板(已提供)
- 护眼镜
- 炭笔
- 剪刀
- 卷尺
- 涂油灰刀
- 水管用油灰
- 钢锯
- 匙孔线锯或手锯
- 钻(直径为13mm钻头或更大)
- 活动扳钳
- 喉管扳钳
- 切管刀

- Trace the template on the countertop with a pencil.
- Re-check the clearance between the lavatory, faucet, backsplash, and cabinet. Adjust the template accordingly.

- Drill a 13mm hole on the inside of the cutout opening.
- Cut the opening in the countertop along the inside edge of the pencil line.

- Temporarily position the lavatory in the opening, and adjust to fit.
- CAUTION: Risk of personal injury or product damage.** Large lavatories are very heavy. Get help lifting the lavatory into place.

- Trace a pencil line around the outside edge of the lavatory.
- Remove the lavatory.
- Install the faucet and drain according to the manufacturers instructions.

- Apply two beads of sealant to the inside of the pencil line.
- Spread the sealant evenly with a putty knife.

- Carefully position the lavatory in the cutout, and press down firmly.

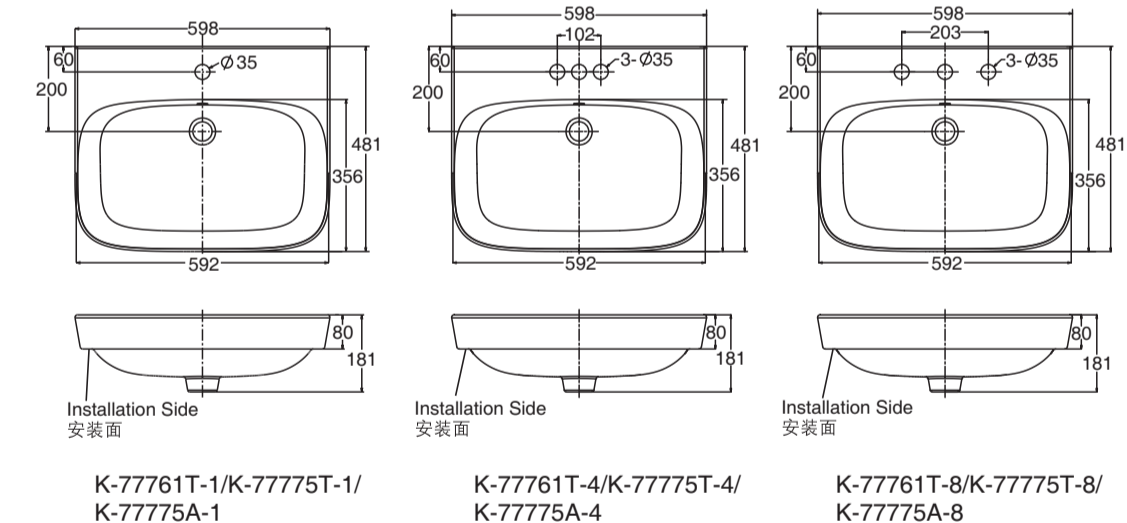
- CAUTION: Risk of personal injury or product damage.** Large lavatories are very heavy. Get help lifting the lavatory into place.

- Immediately wipe away any excess sealant, and fill any voids as needed.
- Verify that the lavatory has not moved out of position.

- Allow the sealant to cure for at least 30 minutes before proceeding.
- Connect the faucet supply lines.
- Connect the drain assembly.
- Open the faucet valves, and check for leakage.
- Clean up with a non-abrasive cleaner.

**ROUGH-IN-IN**

Reference Value  
参考值

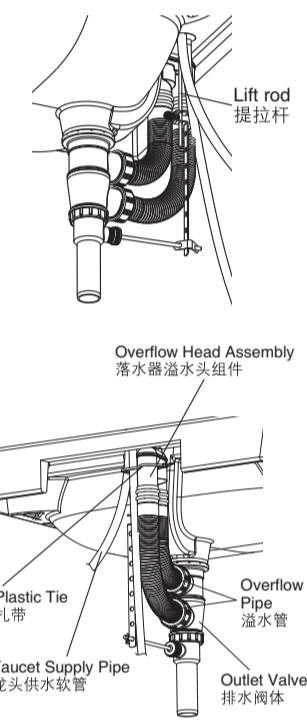


	Length 长	Width 宽	Height 高	Depth 盆深
Outer 外尺寸	598	481	181	
Inner 内尺寸	592	356	135	

Kohler reserves the right to change marked dimensions without prior notice.  
科勒公司保留随时变更图中标示尺寸的权利，无需另行通知。

**INSTALL THE PLUMBING**

- Install drain 1288760 according to the manufacturer's instructions. The two overflow pipes shall be fixed onto the outlet valve. Fix the overflow head assembly vertically onto the faucet supply pipe with plastic tie, as shown in Fig. The overflow pipes can be fixed on either the right side or the left side of the supply pipe and shall not interfere with the lift rod. The height of the overflow head assembly will affect the overflow level and can be adjusted if necessary. If the water level is too high to affect the overflow, please lower the height of the overflow head.
- Note:** K-77761T-1/-4/-8/K-77775A-1/-4/-8 are not supplied with drain 1288760. K-77775T-1/-4/-8 are supplied with drain 1288760.



- Caution!** Make sure a watertight seal exists on all basin drain connections.

- Caution!** Provide access to the plumbing connections for future plumbing maintenance.

- Connect the hot and cold water supplies.

- Open the hot and cold water valves, and check the supply connections for leaks.

- Run water into the basin, and check the drain connections for leaks.

**IMPORTANT CONSUMER INFORMATION (CARE AND CLEANING)**

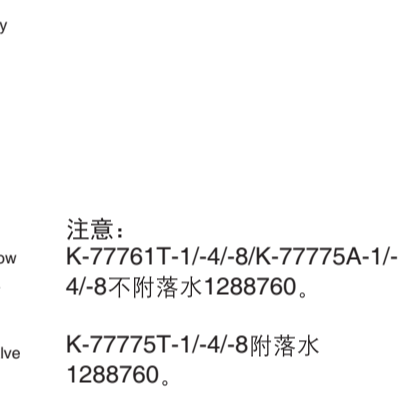
To keep your lavatory looking new, make sure you rinse it out thoroughly after each use. **DO NOT USE ABRASIVES** on this product, as they will scratch and ruin the surface. Stubbom stains, paint, or tar can be removed with turpentine or paint thinner.

Do not use the product in the water below 0°C.

- CAUTION:** Please do not use hard materials (like scouring pad) to clean product surface, especially the product logo.

**安装管道**

- 根据制造商安装说明安装落水 1288760。两根溢水管需安装在排水阀体上，溢水头组件需用扎带垂直固定在龙头的供水软管上。如图所示，溢水管可以固定在供水软管的右侧或左侧，以不影响提拉杆运动为佳。溢水头组件的高度将影响盆溢水水位高度，请根据溢水头高度，如水位过高，影响溢流，请将溢水头固定的高度下移。



- 注意:** K-77761T-1/-4/-8/K-77775A-1/-4/-8不附落水1288760。
- K-77775T-1/-4/-8附落水1288760。

- 警告!** 确保在脸盆所有的排水连接处有防水密封。

- 警告!** 提供管道连接检修门，以便日后管道维护。

- 连接冷热供水。

- 打开冷水阀门，检查供水连接是否漏水。

- 向脸盆中注水，检查排水连接是否漏水。

**用户须知 (护理和清洁)**

为保持脸盆光洁如新，须确保每次使用后彻底冲洗干净。切勿使用腐蚀性的清洁剂，以免刮花及破坏脸盆的表面。要清除顽固污垢、油漆或相油，可使用松油或油漆稀释剂。

不要在0°C以下的水环境中使用。

- 警告:** 请勿使用钢丝球等硬质材料擦洗产品表面，特别是产品商标处。

531mm

R102

373mm