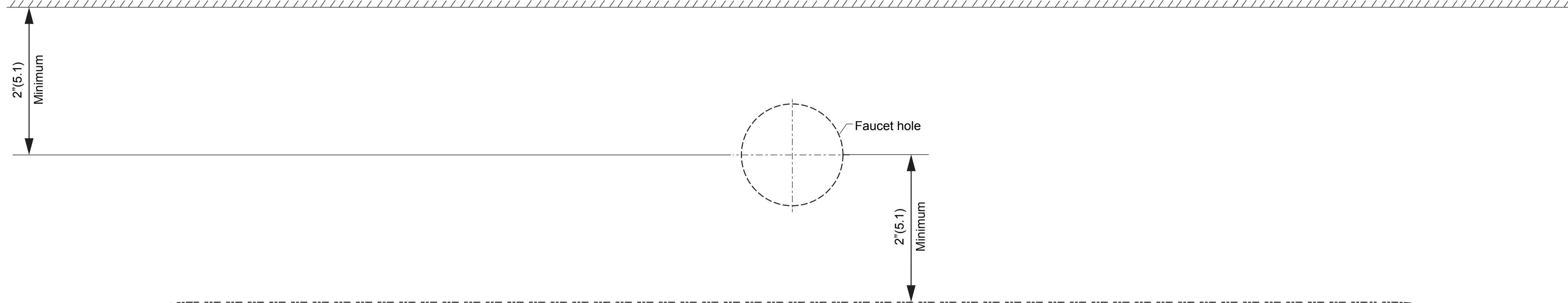


FINISHED WALL / BACK SPLASH

NOTE: BEFORE CUTTING COUNTER-TOP, ALLOW FOR FAUCET HANDLE CLEARANCE



**KOHLER**

CUT-OUT TEMPLATE / INSTALLATION INSTRUCTION

5373IN-0  
FOREFRONT RECT W/O FAUCET DECK

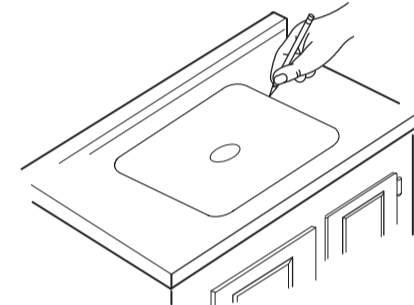
**BEFORE YOU BEGIN**

Observe all local plumbing & building codes. Inspect the waste and supply piping for leakages or damage, replace if necessary. Before installation, unpack the new lavatory and carefully inspect it for any transit damage. Return the lavatory to its protective carton until you are ready to install it. Use this template to mark correct cut-out size of lavatory. Assemble the drain to the lavatory before installing it.

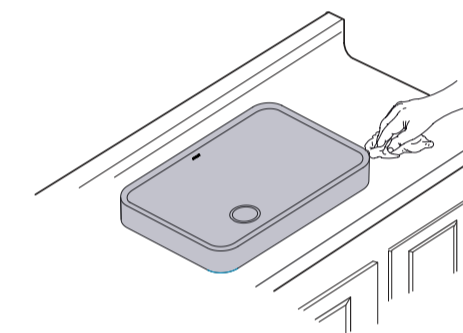
**TOOLS AND MATERIAL** (Not supplied)

- Safety glasses
- Pencil
- Scissors
- Measuring tape
- Putty knife
- Plumbers putty
- Hacksaw
- Keyhole saw or saber saw
- Drill bit as required
- Adjustable wrench
- Pipe wrench
- Tube cutter

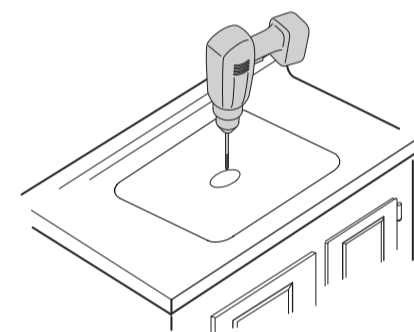
**INSTALLATION**



- Place this template on the counter top and align with the finish wall markings.
- Ensure clearance as specified between outer rim of lavatory and finish wall.
- Trace the template and mark the drain and faucet hole centers.
- Remove the template.



- Immediately wipe off any excess sealant, and fill any voids if needed.
- Allow the sealant to set for at least 30 minutes before any further activities.



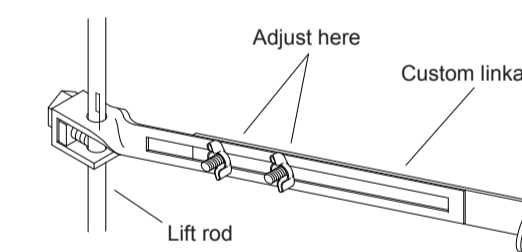
- Cut the opening in the countertop along the inside edge of the pencil line using a suitable cutting tool.

**CARE AND CLEANING**

To keep your lavatory looking new, make sure you clean it out thoroughly after each use. DO NOT USE ABRASIVES on this product, as they will scratch and ruin the surface. Stubborn stains, paint, or tar can be removed with turpentine or paint thinner.

**IMPORTANT:**

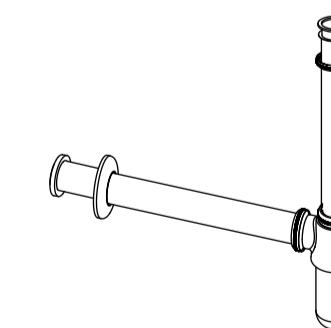
For pop-up drains, use the custom linkage 84474 instead of the linkage supplied with the drain.



Item Code:- 84474  
Item description:- ASSEMBLY ADJUSTABLE LINKAGE

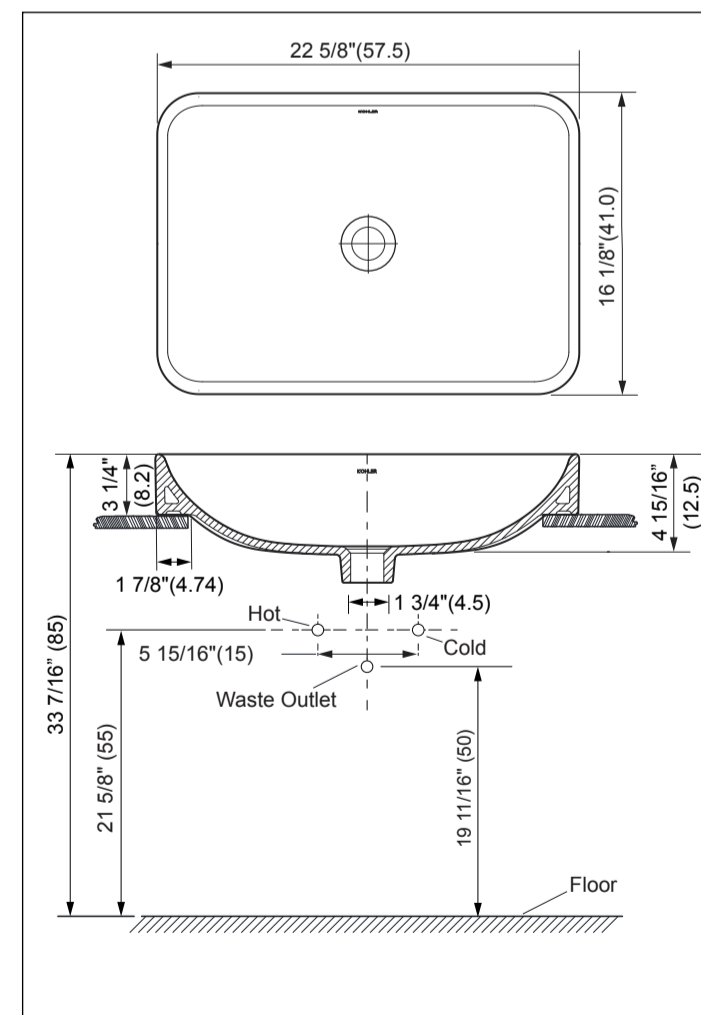
**RECOMMENDED PARTS:**

Bottle Trap: 75823IN-CP



**ROUGH-IN**

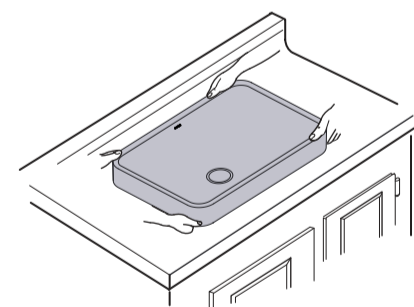
Unit: Inch (cm)



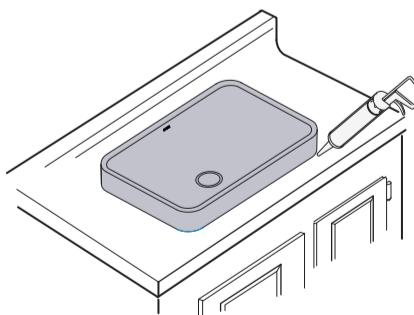
**Roughing-in Notes**  
Fixture dimensions are nominal and conform to tolerances in ASME Standard A112.19.2M.

**CAUTION: Risk of personal injury or product damage.**

- Large lavatories are very heavy. Get help lifting the lavatory during installation.



- Temporarily position the lavatory in the cutout and adjust to fit.
- Trace a pencil line around the outside edge of the lavatory for reference.
- Remove the lavatory.



- Carefully position the lavatory in the cutout, and ensure the bottom face of lavatory is resting properly.
- Apply sealant at the bottom of lav as shown.

**Installation check List**

- Leakage between vessel and drain outlet.
- Vessel orientation
- Visual inspection of applied sealant

133595-K7-B

CL (Drain)

Toll Free 1800 103 2244  
kohler.co.in  
© 2017-18 Kohler Co.

Sheet Size= A1