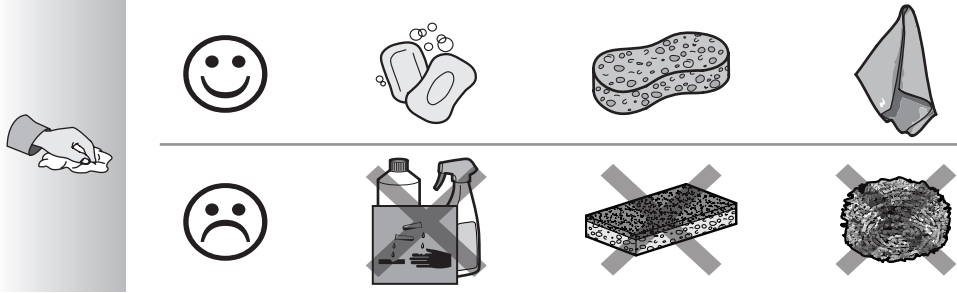


CLEANING INSTRUCTION



To dislodge debris and mineral build-up:
Run water through the showerhead.
Firmly rub your finger back and forth across the spray holes in the showerhead face



KOHLER®



IN



Kohler India Corporation Pvt. Ltd.
6th Floor, Office Block, Ambiance Island, NH-8
Gurgaon - 122002, Haryana, India



Customer Care No : 1800 103 2244
(Toll Free) & +91-124-4319685 / 86
Customer Care Email : indiacustomercare@kohler.com
www.kohler.co.in

KOHLER®

INSTALLATION INSTRUCTIONS

45429IN 45431IN

16351IN 16355IN SHOWERHEAD WITH ARM & ESCUTCHEON
16356IN-A

BEFORE YOU BEGIN

All information is based on the latest product information available at the time of publication. Kohler Co. reserves the right to make changes in product characteristics, packaging, or availability at any time without notice.

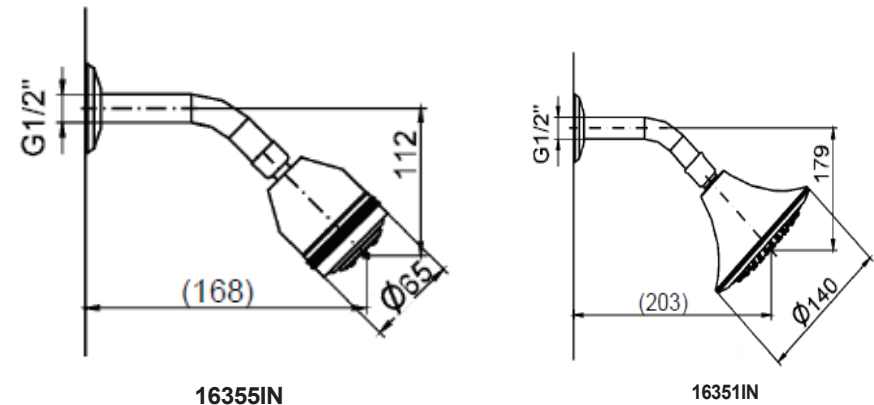
Please leave these instructions for the consumer. They contain important information.

NOTE:

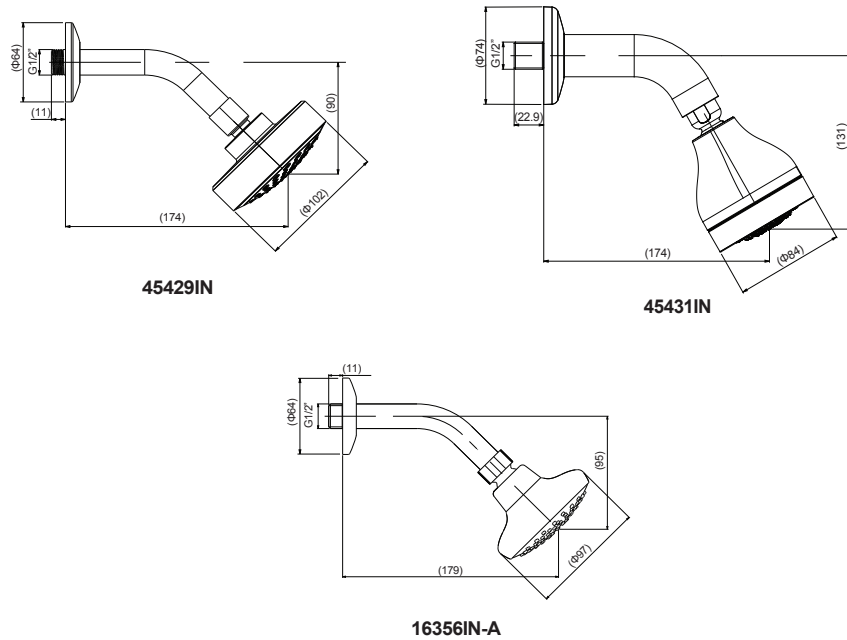
1. Observe all local plumbing and building codes.
2. Flush the water supply pipes thoroughly to remove any debris.

	P	Bar	0.5 < 3 < 5.5
	T	°C	< 65

ROUGH-IN DIMENSIONS



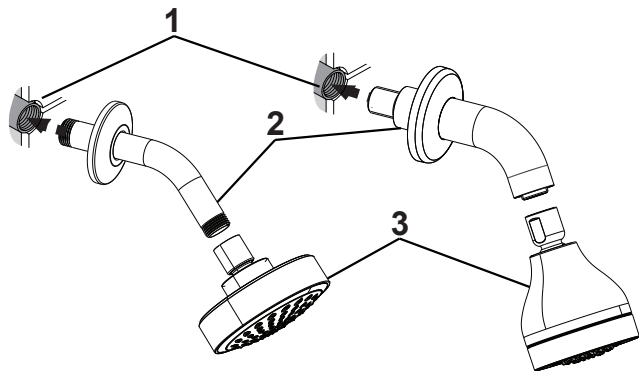
ROUGH-IN DIMENSIONS



INSTALLATION

Remove the temporary nipple. Slide the escutcheon over the shower arm(2). Apply tape or sealant to the shower arm, and install the shower arm into the shower elbow(1). Tight with a strap wrench. Push the escutcheon against the wall.

Flush both water supplies through the shower arm for one minute before the shower head is installed. Apply tape or sealant to the exposed end of the shower arm. Tighten the showerhead(3) with a strap wrench.

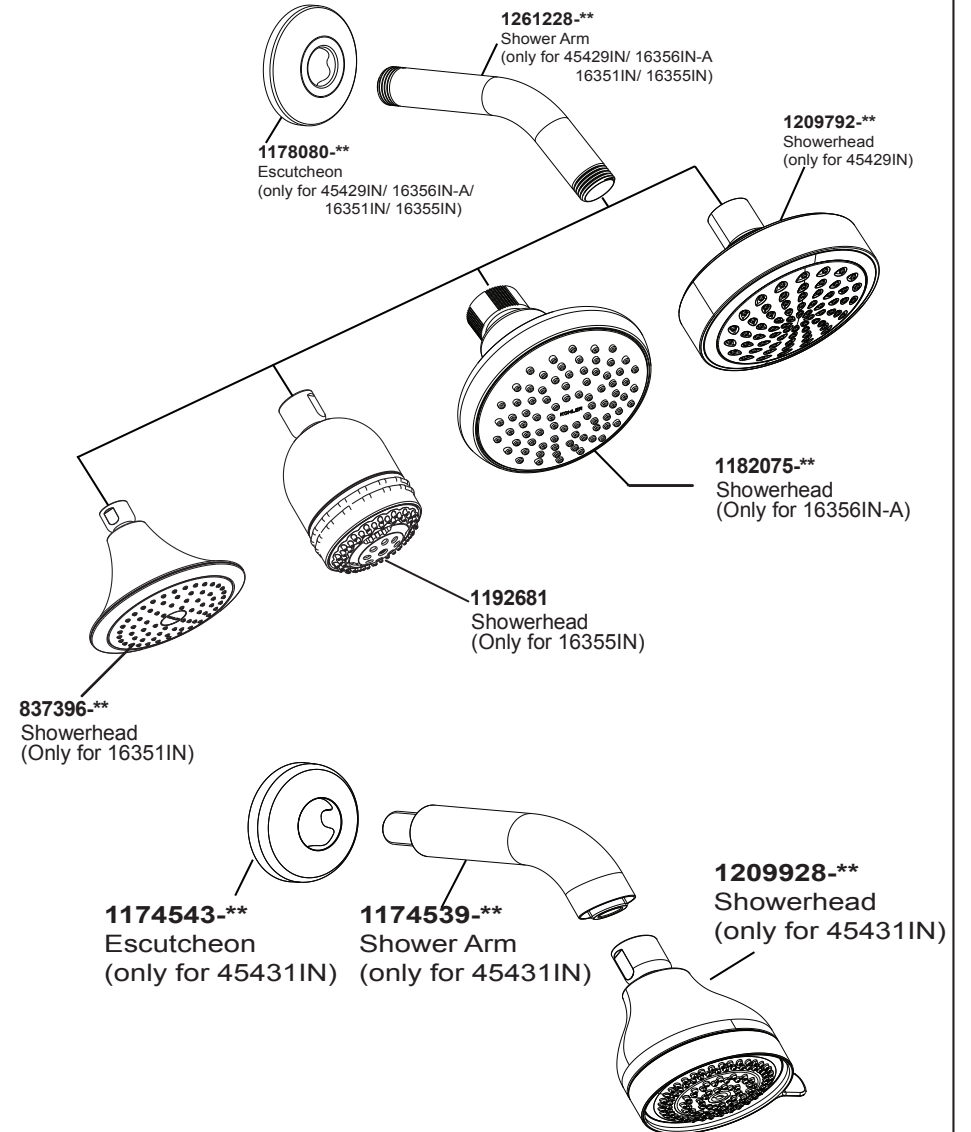


KOHLER®

SERVICE PARTS

45429IN 45431IN
16356IN-A
16351IN 16355IN

SHOWERHEAD WITH ARM & ESCUTCHEON



**Color code must be specified when ordering