

# KOHLER®

## K-3672T-P/K-3673T-P 8 DEGREE™ 艾歌

OFFSET SINK/SINGLE BASIN SINK  
大小槽厨盆/单槽厨盆  
CUT-OUT TEMPLATE / INSTALLATION INSTRUCTIONS  
切割图/安装说明书

### BEFORE YOU BEGIN

- WARNING: Risk of personal injury. Metal surfaces are sharp and can cause severe cuts. Use gloves and handle sink edges carefully.**
- Observe all local plumbing and building codes.
  - Shut off the hot and cold water supplies.
  - Prior to installation, unpack the new sink and inspect it for damage. Return the sink to its protective carton until you are ready to install it.
  - Inspect the drain and supply tubing. Replace if necessary.
  - All information in these instructions is based on the latest product information available at the time of publication. Kohler China reserves the right to make changes at any time without notice.
  - This product complies with Q/KLLOW 1-2017.

### 安装之前

- 警告: 小心人身伤害。金属表面非常锋利, 可能导致严重的划伤。请使用手套, 并小心接触水槽边缘。**
- 遵循当地所有的管道和建筑规范。
  - 关闭冷热水供应。
  - 在安装之前, 请打开新水槽的包装, 检查产品是否有损坏。将水槽放回其保护性的纸箱包装, 直到准备安装。
  - 检查供水和排水管道。如果需要, 请更换管道。
  - 此手册中的所有资料均按照出版时的最新产品资料编写。科勒公司保留在任何时候不通知即可进行更改的权利。
  - 本产品符合Q/KLLOW 1-2017。

### RECOMMENDED TOOLS AND MATERIALS

- Safety Glasses
  - Measuring Tape
  - Pencil
  - Drill
  - Putty Knife
  - Silicone Sealant
  - Pipe Wrench
  - Plumbers Putty
- Plus:**
- Level
  - Cross Screwdriver
  - Keyhole/Jigsaw
  - Gloves

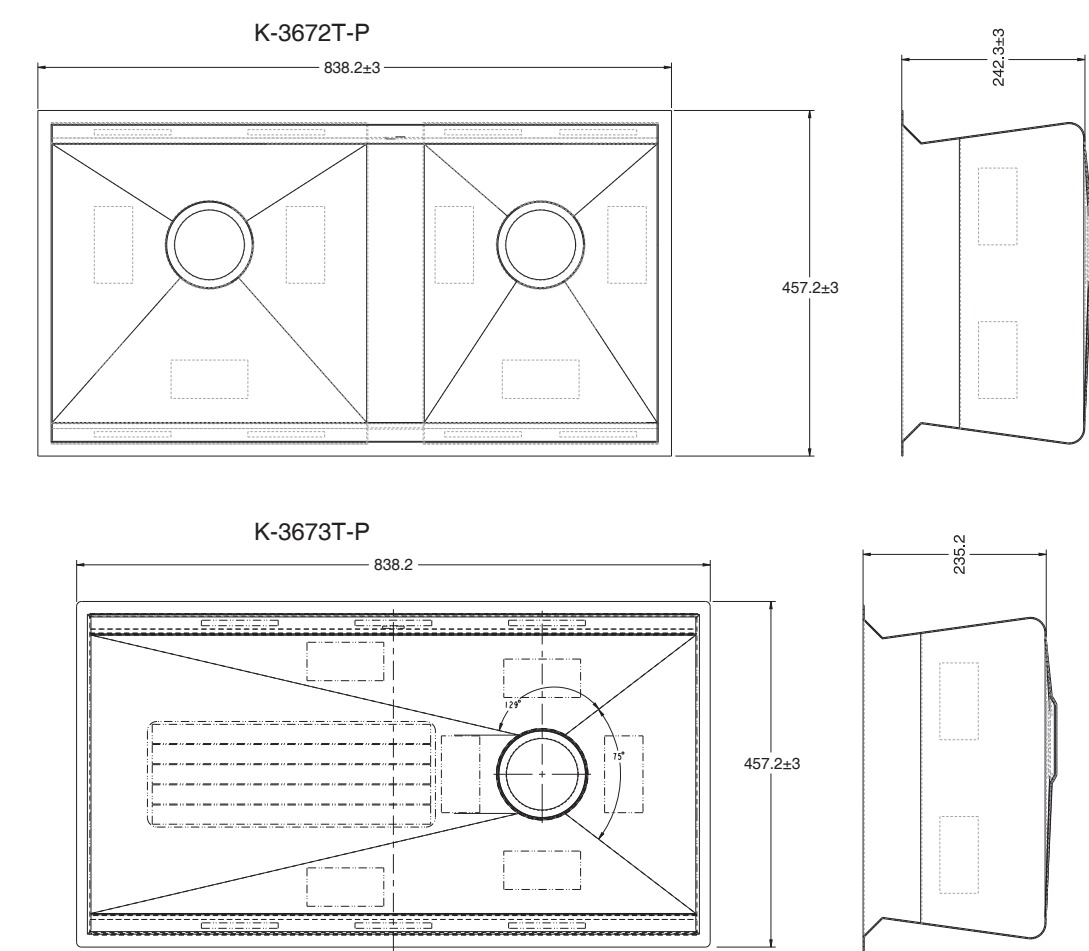
### 推荐使用的工具和材料

- 安全眼镜
  - 卷尺
  - 铅笔
  - 电钻
  - 刮泥刀
  - 硅胶密封胶
  - 管道扳手
  - 管道用灰泥
- 其它:**
- 水平尺
  - 十字螺丝刀
  - 钥匙孔或曲线锯
  - 手套

### ROUGHING-IN

Reference Value  
参考值

UNIT: mm  
单位: 毫米



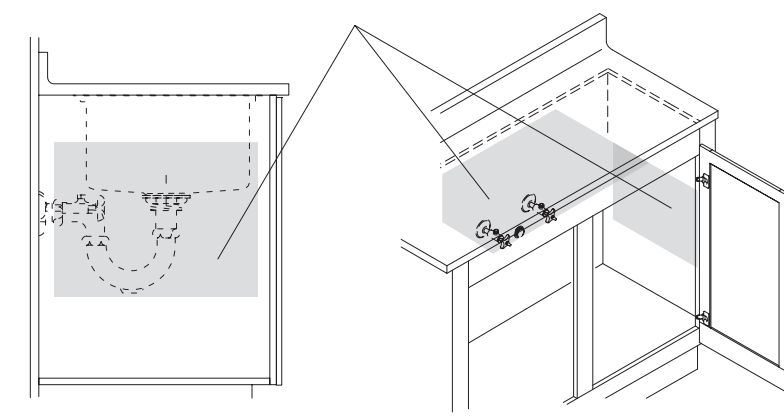
Kohler reserves the right to change marked dimensions without prior notice.  
科勒公司保留随时变更图中所示尺寸的权利, 无需另行通知。

### INSTALL THE NEW SINK

### 安装新水槽

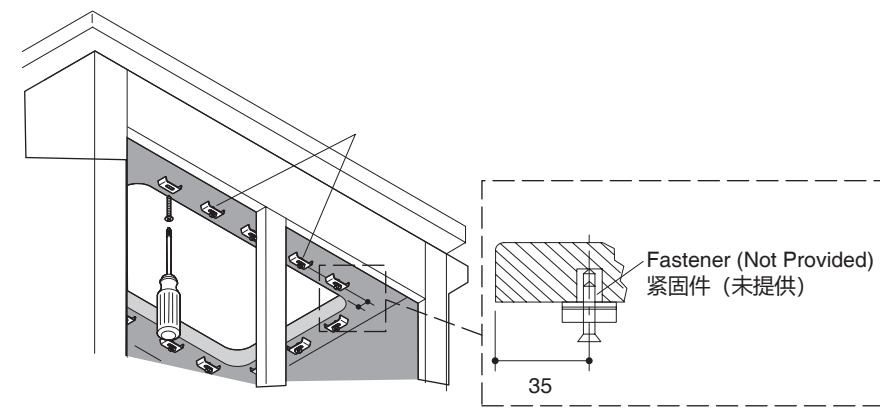
#### 1. Verify cabinet clearance.

#### 1. 确认橱柜间隙。



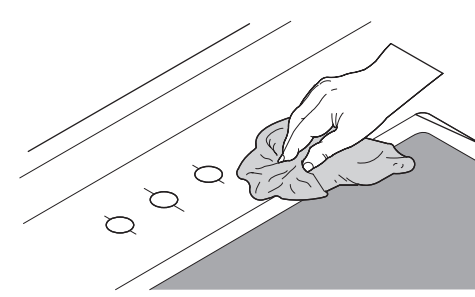
#### 2. Loosely install the brackets.

#### 2. 大致地安装支架。



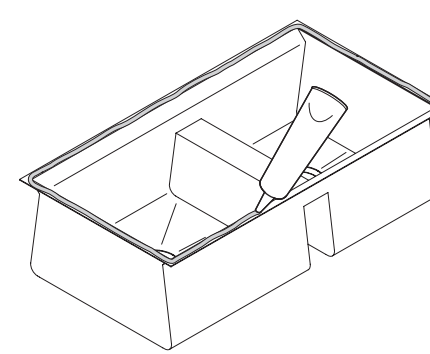
#### 3. Clean any residue from the top and underside of the counter.

#### 3. 清理工作台面顶部和底部的残留物。



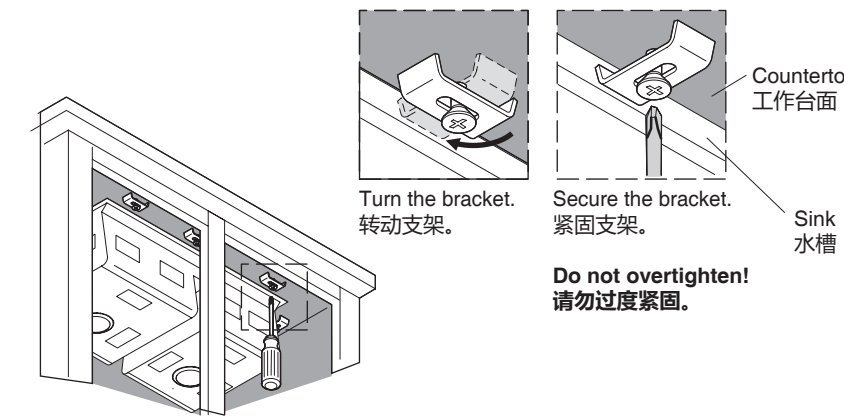
#### 4. Apply sealant near the inside edge.

#### 4. 在内边缘附近涂抹密封胶。



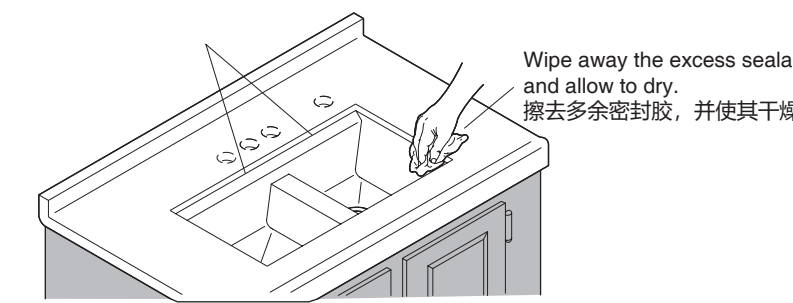
#### 5. Mount the sink.

#### 5. 固定水槽。



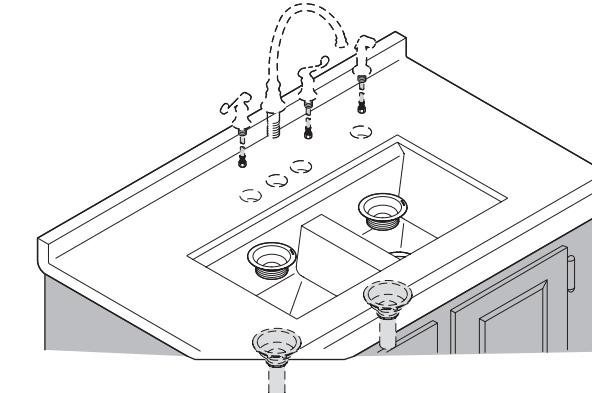
#### 6. Apply sealant (optional).

#### 6. 涂上密封胶 (可选)。



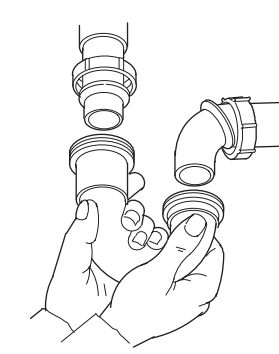
#### 7. Install the faucet and the strainer.

#### 7. 安装龙头和下水器。



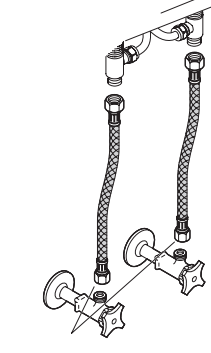
#### 8. Make the drain connections.

#### 8. 连接排水管。



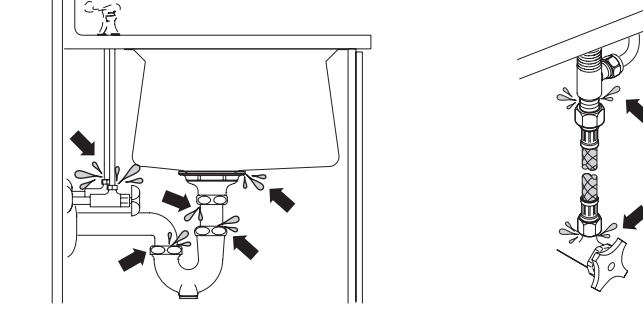
#### 9. Connect the supplies.

#### 9. 连接供水管。



#### 10. Run water into the sink and check for leaks.

#### 10. 将水倒入水槽并检查是否有泄漏。



### CARE AND CLEANING

#### Stainless Steel

Rinse your stainless steel sink thoroughly after each use, and use a dabbing action to dry with a clean, soft cloth. Clean stainless steel once a week.

Always apply stainless steel cleaner/polish with a nonabrasive cloth or sponge, working with, not across the grain. Do not use steel wool, wire brushes or abrasive pads to clean your sink.

If you use cleaners containing chlorides, be sure to rinse the surface immediately after you clean it to avoid corrosion. Do not allow cleaners to remain in contact with the sink surface for long periods of time.

Kohler kitchen sink accessories, including bottom basin racks, wire rise baskets, cutting boards and colanders will help protect the surface of your sink.

If the surface becomes excessively dirty, consider using baking soda, or a general purpose cleaner. Do not wash bottoms of knife rack and accessory rack directly. Please clean them with cloth.

### 保养和清洁指南

#### 不锈钢

每次使用后, 请彻底冲洗您的不锈钢水槽, 并使用清洁的软布将其擦干。对于不锈钢用品, 请每周清洗一次。

请使用非磨蚀性的布或海绵, 并沿不锈钢专用清洁剂光亮方向进行清洗。不要使用磨蚀性的清洁剂。请不要使用钢丝球、钢丝刷或者磨蚀性的抹布清洁不锈钢水槽。

如果您使用了含有氯化物的清洁剂, 在您清洁水槽之后, 请确保立即对水槽表面进行冲洗, 以防止腐蚀。不要让清洁剂在您的水槽表面停留过长时间。

科勒厨房水槽附件, 包括底部盆架、金属滤网架、砧板和沥水篮均有助于保护您的水槽表面。

如果水槽表面很脏, 请使用碳酸氢钠, 或普通的清洁剂进行清洗。

请勿用水直接冲洗刀架及杂物架底部。请用抹布擦拭清洗。

### WHEN PLOTTING TEMPLATE FULL SIZE:

Make sure horizontal and vertical dimensions match the dimensions labeled on the template.

当在台面上画一比一描绘切割线时, 务必确保模板的水平尺寸和垂直尺寸与模板上标注的一致。

P20

419mm

800mm

CUT ALONG THIS LINE  
沿此线切割

RIM OF SINK  
水槽边缘

ZHUHAI KOHLER KITCHEN & BATHROOM PRODUCTS CO., LTD NO.15, XIN QING  
LIU ROAD, JING AN TOWN, DOU MEN DISTRICT, ZHUHAI, PRC POST CODE: 519180  
珠海科勒厨卫产品有限公司 珠海市斗门区井岸镇新青六路15号 邮编: 519180

1345227-T01-A

© Copyright Kohler China Investment Co., Ltd. 2017  
© 版权为科勒 (中国) 投资有限公司所有 2017