

BEFORE YOU BEGIN



WARNING:

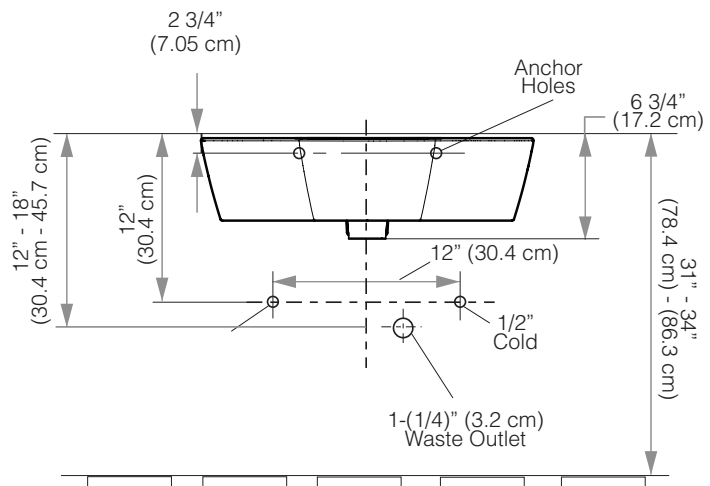
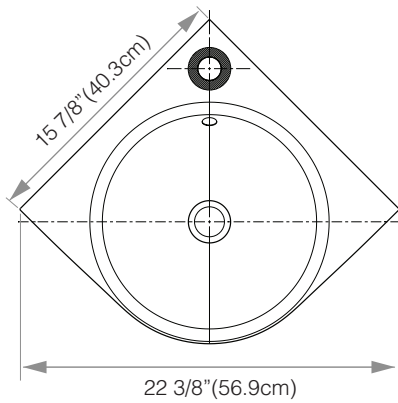
Risk of personal injury or product damage. Handle with care.

Vitreous China can break or chip if the bolts and nuts are over-tightened, or if the product is handled carelessly.

- Observe all local plumbing and building codes.
- Carefully inspect the new lav for any damage. In case of any damage, please discard the product & contact Kohler customer care.
- User should preserve this document to order spare parts in future.

ROUGH-IN DIMENSIONS

Unit: Inches (cm)



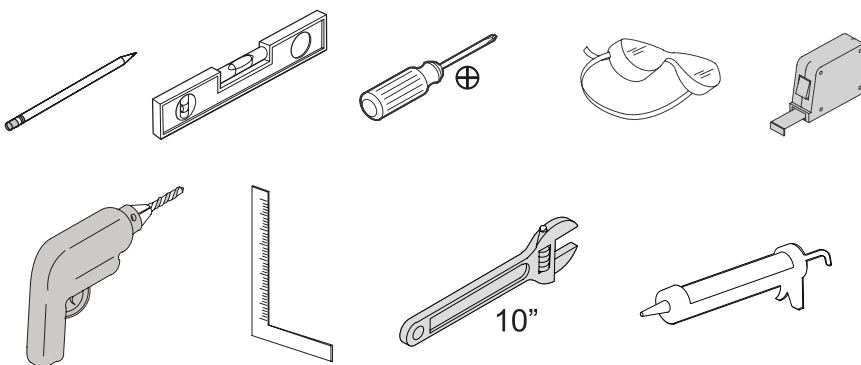
NOTES:

- Fixture dimensions are nominal and conform to tolerances as per ASME Standard A112.19.2M.
- Product illustrations shown are representative only; actual product may vary.
- Kohler reserves the right to make changes in product characteristics, packaging or availability at any time without notice.

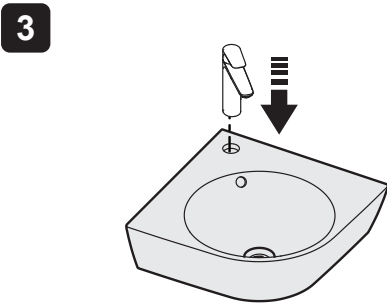
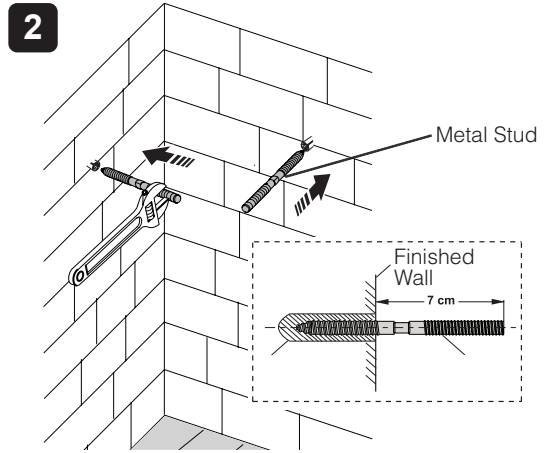
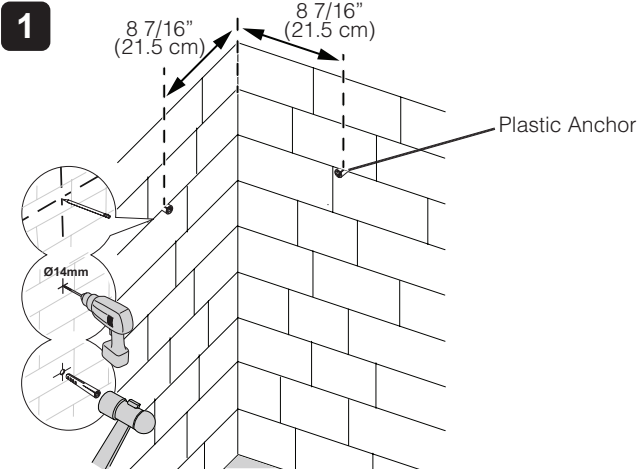
CAUTION : Do not use white cement or high lime-content cement to install this lav. The expansion of cement due to rise in temperature may cause the lav to crack or be damaged. Kohler is not responsible for any damage due to installation with the use of cement.

** - indicates lav mounting dimension

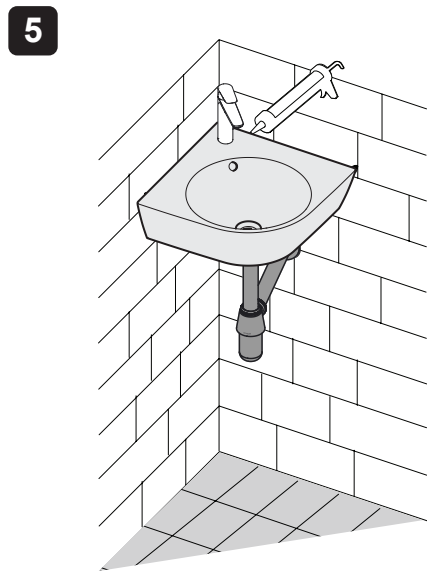
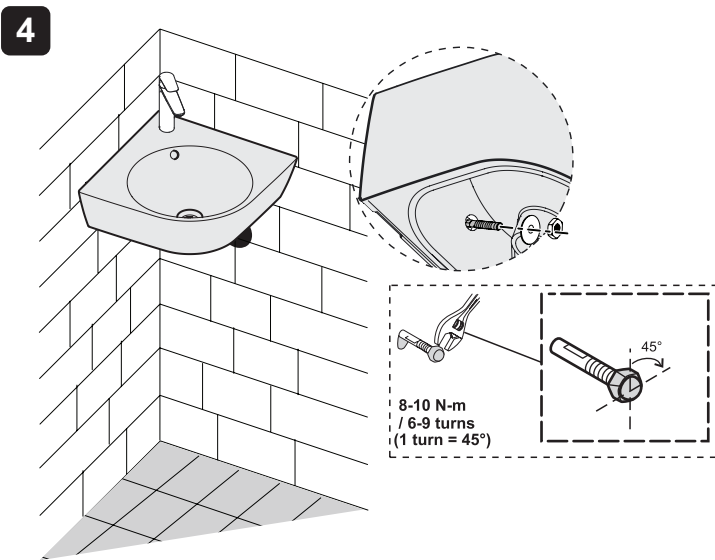
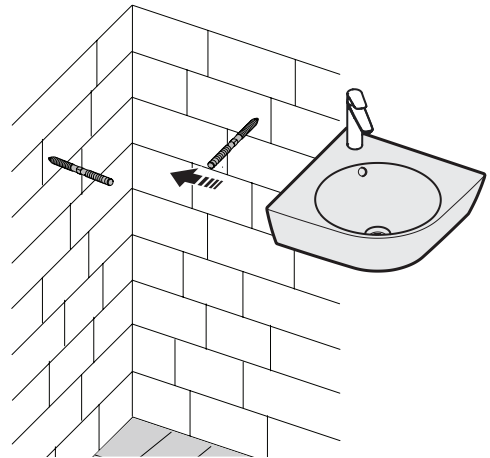
TOOLS REQUIRED



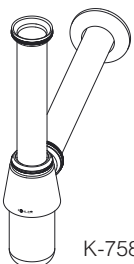
INSTALLATION INSTRUCTIONS



NOTE:
Refer manufacturer's Installation Instruction for Installation of Faucet, Drain & Bottle Trap with lavatory.

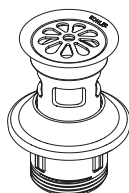


Recommended Bottle Trap



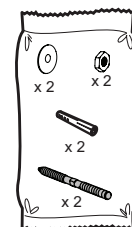
K-75823IN-CP/ K-7314IN-CP

Recommended Drain



K-45432IN-CP
K-45433IN-CP

Recommended Spare Parts:-



1394948 :- Mounting Kit