

NOTE: before cutting countertop
Allow for handle clearance
注意：在切割台面之前，请留出
安装龙头的空间。

FINISHED WALL / BACK SPLASH
完工墙面/防溅挡板

CENTERLINE OF FITTING
安装中线

K-20413T CAXTON 卡斯登

19" RECTANGLE UNDERCOUNTER LAVATORY 19" 长方形台下盆 CUT-OUT TEMPLATE / INSTALLATION INSTRUCTIONS 切割图/安装说明书

BEFORE YOU BEGIN

- Due to the nature of the installation, undercounter lavatories should be installed by trained and experienced installers.
- Do not use adhesives or adhesive sealants between marble countertop and lavatory.
- Inspect the waste and supply tubing; replace if necessary.
- Prior to installation, unpack the new lavatory and inspect it for damage. Return the lavatory to its protective carton until you are ready to install it.
- Observe all local plumbing and building codes.
- Kohler lavatory is made according to American National Standard that it can match the American lavatory fittings. Any other lavatory fittings may not fit for Kohler lavatory.
- Fixture dimensions are nominal and conform to tolerances established by ASME Standards (A112.19.2-2013).
- The product complies with GB/T 6952-2015.
- Please purchase 880089-CP as accessory to match with draw bar faucet of Kohler brand.

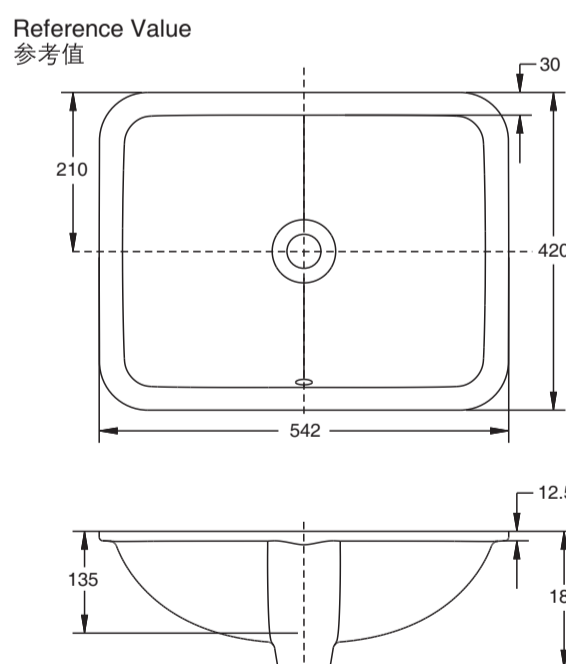
安装之前

- 有关安装属专业性，故台下或脸盆必须由受过训练及有经验的技师进行安装。
- 切勿在脸盆与大理石之间使用胶黏剂或有黏性的密封胶。
- 检查出水及供水管道，如有需要便更换。
- 安装之前先开启新脸盆的包装，检查有无损坏后放回纸箱中以免损坏，到准备安装时才取用。
- 遵守当地所有给排水及建筑规定。
- 科勒洗脸盆是根据美国标准制造的，与美式洗脸盆配件相配。其它洗脸盆配件可能与之不相配。
- 部件尺寸为标称值，误差符合美国ASME标准(A112.19.2-2013)。
- 本产品符合GB/T 6952-2015。
- 如匹配科勒提拉杆水龙头，请另购配件880089-CP，来配合安装。

TOOLS AND MATERIALS

- Sealant
- Pencil
- Tape measure
- Sharp knife or scissors
- Keyhole or saber saw
- Drill (13mm dia. drill bit or larger)
- Safety glasses
- Hammer
- Rags or paper toweling
- Strong AB sealant

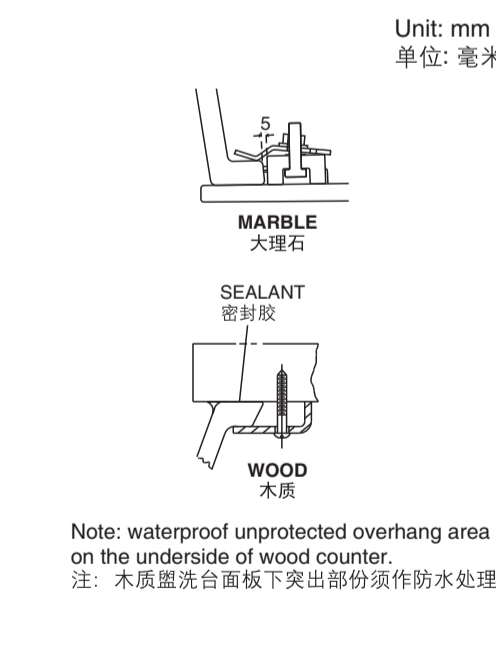
ROUGHING-IN



所需的工具和物料

- 密封胶
- 软性铅笔
- 卷尺
- 尖刀或剪刀
- 匙孔线锯或手提电锯
- 钻(直径13毫米或者更大的钻头)
- 护眼镜
- 锤子
- 抹布或者纸质毛巾
- 高强度AB胶

尺寸图



INSTALL THE LAVATORY

- NOTE: Install so future removal from underneath the countertop is possible to avoid damage to the countertop.
- Check the desired lavatory location for clearance between the backsplash, faucet, fixture, and cabinet.
- Cut out the template.
- Carefully position and trace the template on the countertop as directed on the template.
- Mark the faucet hole centerline on the countertop.
- Drill a 13mm pilot hole on the inside of the cut line.
- Cut out the countertop opening with a saber or keyhole saw.

FOR WOOD COUNTERTOPS

- Mark and pre-drill the wood screw holes at the locations shown on the template.
- Waterproof any exposed areas of wood.

FOR MARBLE COUNTERTOPS

- Clean the countertop and block. Keep them dry.

- Take same amount of strong A and B sealant and mix them up.

- Insert the screw into the hole in middle of the block and then apply the mixed sealant onto the block.

- Glue the block to the countertop as shown.

- Fix the block and keep at least 5mm from the edge of the lavatory.

- Place the lavatory after 2 hours. Tighten the screw and apply silicone sealant around the edge of the lavatory.

安装脸盆

注意：安装中要允许将来可以从盥洗台面之下进行拆装，以免台面损坏。

- 检查准备装上脸盆的位置，是否与防溅挡板、水龙头、脸盆及储物柜保持足够的距离。
- 剪出模板。
- 将模板小心放置于台上，并在台面上按照模板画出其边缘轮廓导线。
- 在盥洗台上标出水龙头孔位的中心线。
- 在切线内侧钻出一个13毫米的导孔。
- 用匙孔线锯或者手提电锯切开盥洗台面。

木制盥洗台面

- 按照模板所示的位置，在台面标出及预先钻穿木螺钉的孔位。
- 其它外露的木质表面需要保持防水。

大理石盥洗台

- 清洁台面和定位块，并保持干燥。

- 取高强度A、B胶若干，按1:1搅匀。

- 将螺丝放入定位块中间的孔内，并将搅匀的胶水涂抹在定位块上。

- 将定位块按位置与台面粘合。

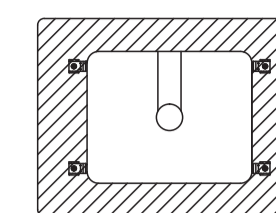
- 固定定位块，并与盆边保持5mm以上的距离。

- 2小时后将盆放好，拧紧螺母，沿盆边打好硅胶。

NOTE: Using this template, the overhung is about 6mm. Customers can zoom the template by scale to meet their requirement.

注意：采用此切割模板切割的台面内沿到面盆内边缘的距离为6mm左右，客户可根据需要按比例缩放用以切割台面。

- Keep away from heavy objects within 24 hours.



- 24小时内勿承重物。

FOR ALL INSTALLATIONS

- If the countertop has not been installed, install it at this time.
- Drill the faucet holes according to the faucet installation instructions.
- Install the faucet to the countertop according to the manufacturer's instructions.
- Install the drain to the lavatory according to the manufacturer's instructions.

NOTE: Please do not use sealant with contractility after drying, such as marble adhesive.

- Apply a continuous bead of quality sealant to the lavatory rim where it will contact the countertop, such as glass cement.

NOTE:

- For wooden countertop, use the clamp assembly supplied.
- For countertop made of wood or wood compound (over 25mm thick), purchase clamp assembly 52047.
- For countertop of other materials, use proper clamp assembly by referring to the suggestions on the installation instructions of the countertop manufacturer.

- Position the lavatory squarely under the cutout before tightening the clamps. Draw the lavatory rim up to the countertop until it is snug. Do not overtighten.
- Immediately wipe away any excess sealant.
- Make the final drain and faucet connection to complete the final drain and faucet connection to complete the lavatory installation. Be sure to follow all instructions packed with the drain and faucet.
- Clean up with a non-abrasive cleaner.

IMPORTANT CONSUMER INFORMATION (CARE AND CLEANING)

- To keep your lavatory looking new, make sure you rinse it out thoroughly after each use. DO NOT USE ABRASIVES on this product, as they will scratch and ruin the surface. Stubborn stains, paint, or tar can be removed with turpentine or paint thinner.
- Do not use the product in the water below 0°C.
- Please do not use hard materials (like scouring pad) to clean product surface, especially the product logo.

FOR ARTIST EDITION PRODUCTS 艺术陶瓷品使用及保养须知

Treat your decorative product just as you would treat your fine china. The best way to clean it is to use warm water and pat dry with a cotton cloth or soft sponge. DO NOT use abrasive-backed sponges. They will scratch the decorative surface.

SERVICE PARTS

BLOCK
定位块

1321585
Clamp Accessory Pack
夹子组件
(For Marble Countertop Only)
(仅适用于大理石台面)

NOTE: Please purchase clamp accessory pack 52047 for wooden countertop.
注意：如为木质台面，请另行购买夹子组件52047。

CLIP LOCATIONS
夹子位置

IMPORTANT:

For wooden countertop, basin clamp assembly 52047 purchased can only be used on countertops with a minimum thickness of 1". Installer must supply anchors for thinner countertops.

重要:

对于木质台面，另购的52047夹子组件仅可用于厚度最少为25mm的台面。如果台面较薄，请另外使用膨胀螺栓固定。

所有台面的安装

- 如还未安装盥洗台，请在这时装上。
- 按照龙头安装说明引钻龙头孔。
- 按照制造商的说明书，在盥洗台上装水龙头。
- 按照制造商的说明书，在脸盆下装上排水管。

注意：请勿在本品上使用干燥后有收缩性的胶黏剂，如云石胶等。

- 在与盥洗台接触的盆边缘，如珠串般涂上优质密封胶，如玻璃胶等。

注意:

- 大理石材质的盥洗台，使用随附的夹子组件。
- 木、木质合成物的盥洗台(厚度25毫米以上)，可另行购买夹子组件52047。
- 其它材料制造的盥洗台，则请参考盥洗台制造商说明书上的建议，使用适当的组件。

- 在上紧夹具前，先将脸盆平整地放在盥洗台切口下，然后小心将脸盆拉直直至合适才可上夹具，切勿上得太紧。
- 立即擦去多余的密封胶。
- 最后将所有水管及水龙头与脸盆连接妥当，确保安装乃符合水管及水龙头的一切有关的安装说明书。

- 使用非腐蚀性的清洁剂进行清洁。

用户须知 (护理和清洁)

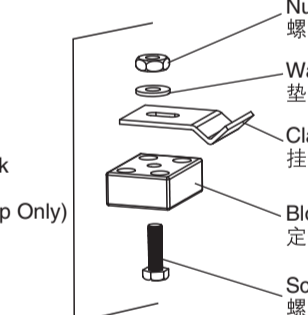
为保持脸盆光洁如新，须确保每次使用后彻底冲洗干净，切勿使用腐蚀性的清洁剂，以免刮花及破坏脸盆的表面。要清除顽固污垢、油漆或柏油，可使用松油或油漆稀释剂。

- 不要在0°C以下的水环境中使用。
- 请勿使用钢丝球等硬质材料擦洗产品表面，特别是产品商标处。

艺术陶瓷品使用及保养须知

请您像珍惜您的珍贵瓷器一样对待您的艺术系列产品，最佳清洗方式是使用温水擦洗，然后用棉布或软海绵轻轻拍干。请勿使用粗糙的刷子或带颗粒的海绵，以免划伤装饰表面。

维修零件



NOTE: Please purchase clamp accessory pack 52047 for wooden countertop.
注意：如为木质台面，请另行购买夹子组件52047。