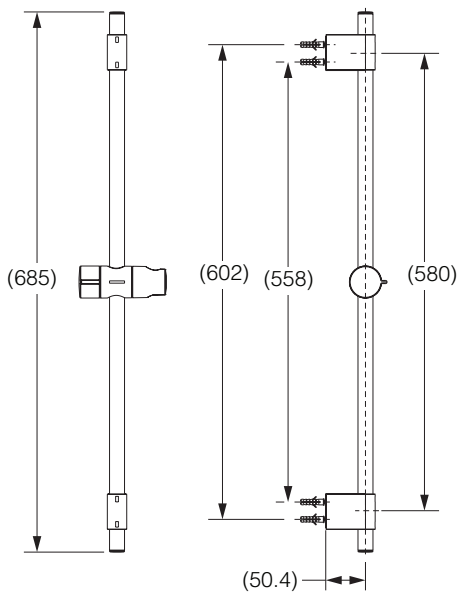
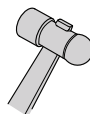
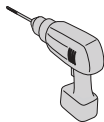


**72740IN-\*\***  
SLIDE BAR

**ROUGH-IN DIMENSIONS (in mm)**

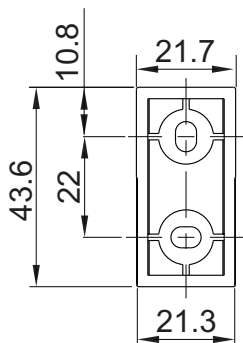


## TOOLS REQUIRED



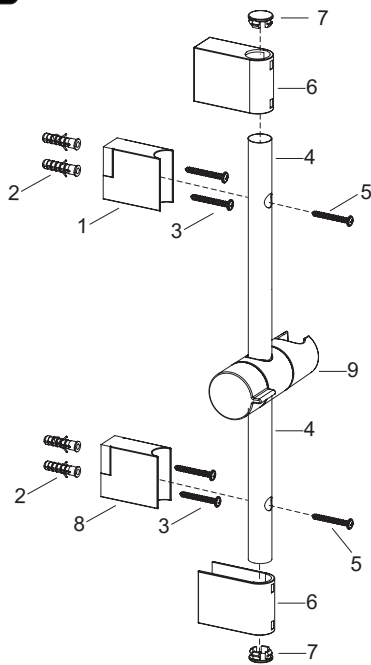
## INSTALLATION INSTRUCTIONS

1



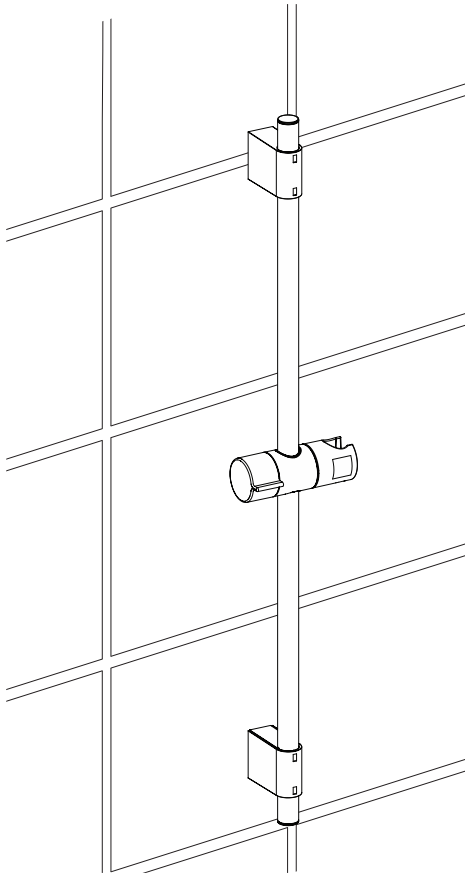
1. Drill two holes at the proper height in the wall as the bracket (1,8) dimensions.
2. Put anchors(2) into the holes. Install the bracket(1) with screws(3) in the wall.

2



1. Rehearse the slide bar(4), screws(5) and bracket(8). Mark the outline of the bracket with a pencil on the wall, and find the position of the holes. Drill two holes and put anchors(2) into the holes. Install the bracket(8) with screws(3) in the wall.
2. Slide the handspray holder(9) onto the bar(4). Adjust the holder to the proper position. Tighten the slide bar kit with screws(5).
3. Slide the bracket covers(6) onto the slide bar, and install the covers(7).

3



### CLEANING INSTRUCTIONS



MICROFIBRE CLOTH



