

## INSTALLATION INSTRUCTIONS

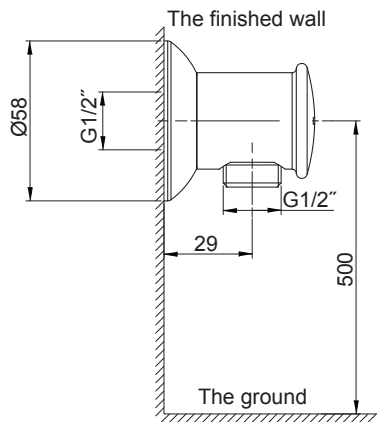
### 11627T Wall-Mount Supply Elbow

#### BEFORE YOU BEGIN

All information is based on the latest product information available at the time of publication. Kohler Co. reserves the right to make changes in product characteristics, packaging, or availability at any time without notice.

Please leave these instructions for the consumer. They contain important information.

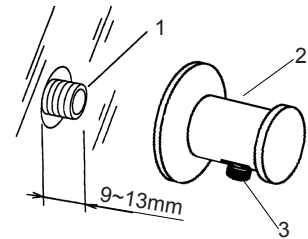
#### ROUGH-IN DIMENSIONS



#### INSTALLATION

To perform installation, installer must provide  $G1/2''$  nipple(1) to the pipe so it extends 9~13mm beyond the finished wall. Apply tape or thread sealant to the nipple threads. And install the connector kit(2). Adjust the position and make sure the thread outlet(3) faces down.

Flush both water supplies through the supply elbow for about one minute to remove debris.



#### CLEANING INSTRUCTIONS

All Finishes: Clean the finish with mild soap and warm water. Wipe entire surface completely dry with clean soft cloth. Many cleaners may contain chemicals, such as ammonia, chlorine, toilet cleaner etc. which could adversely affect the finish and are not recommended for cleaning.

Do not use abrasive cleaners or solvents on Kohler faucets and fittings.