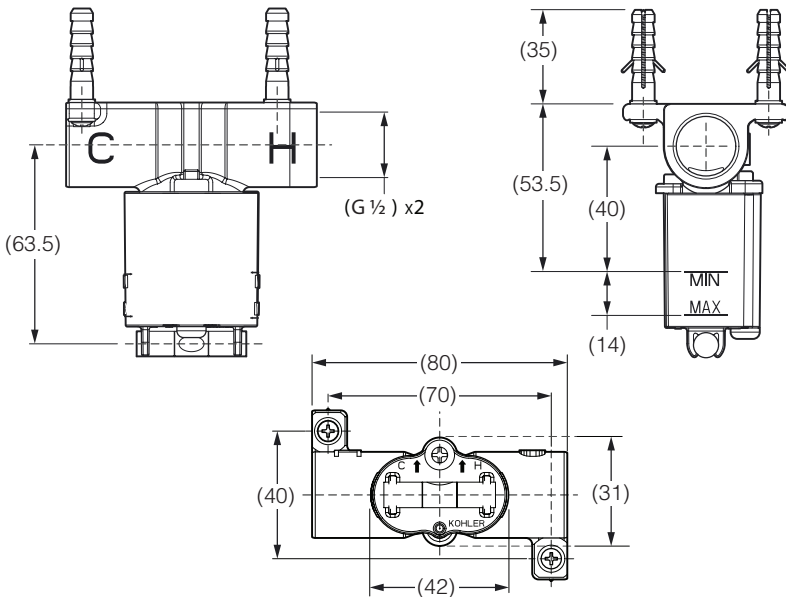
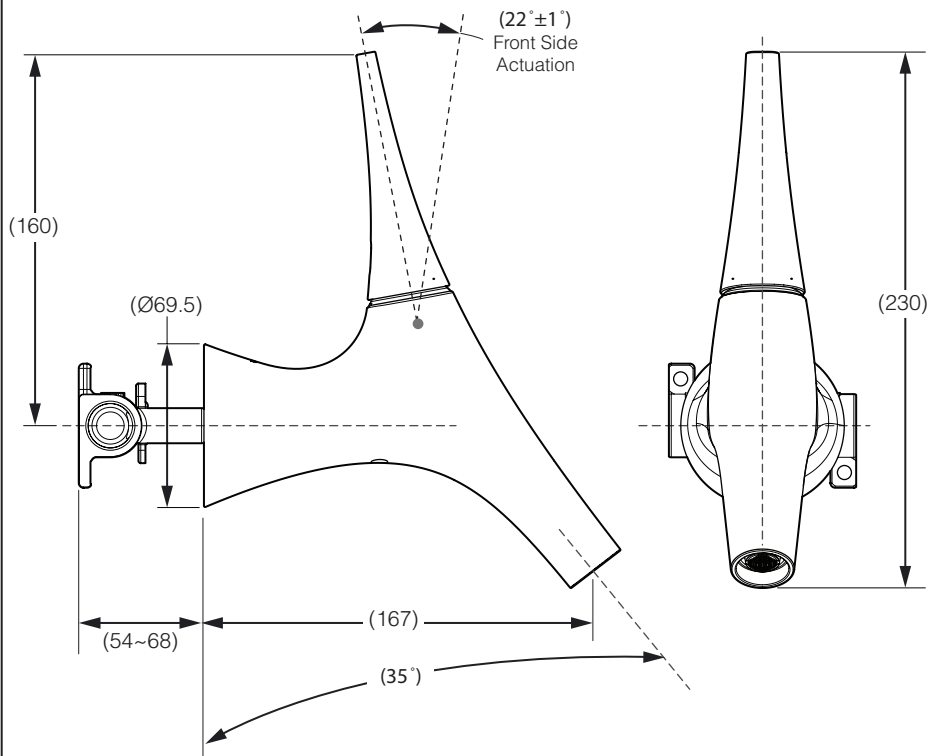


**23975IN-4ND-\*\***  
MONOBLOCK SC WM  
LAV FAUCET & VALVE

**ROUGH-IN DIMENSIONS (in mm)**



**1409143 (VALVE ASSEMBLY)**



**23975IN-4\*\***

**PRESSURE & HOT INLET TEMPERATURE**



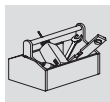
P (Bar) 0.5 < 3 < 5.5



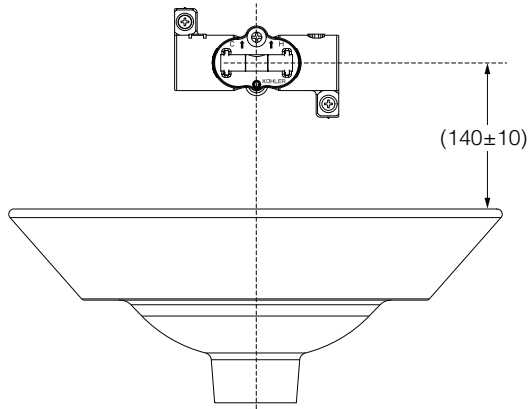
T (°C) < 65



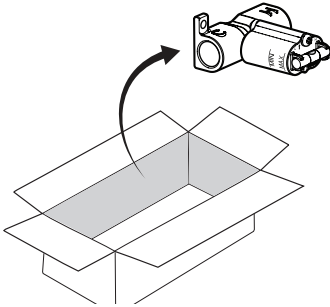
**TOOLS REQUIRED**



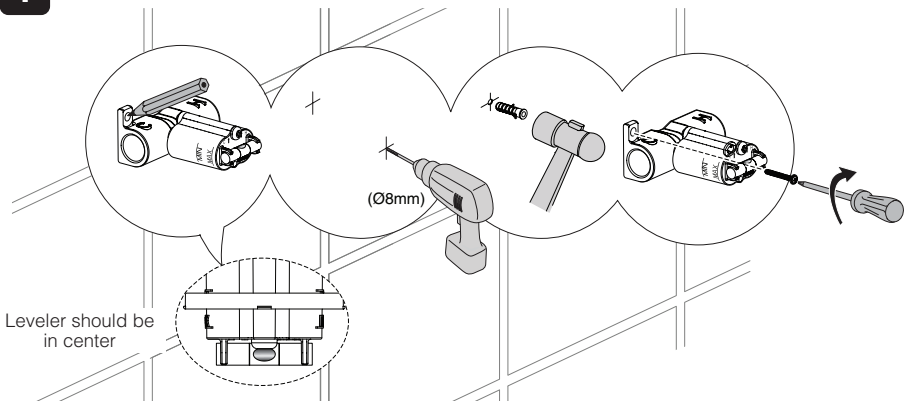
## INSTALLATION - VALVE ASSEMBLY W.R.T LAVATORY (in mm)



## INSTALLATION INSTRUCTIONS - VALVE

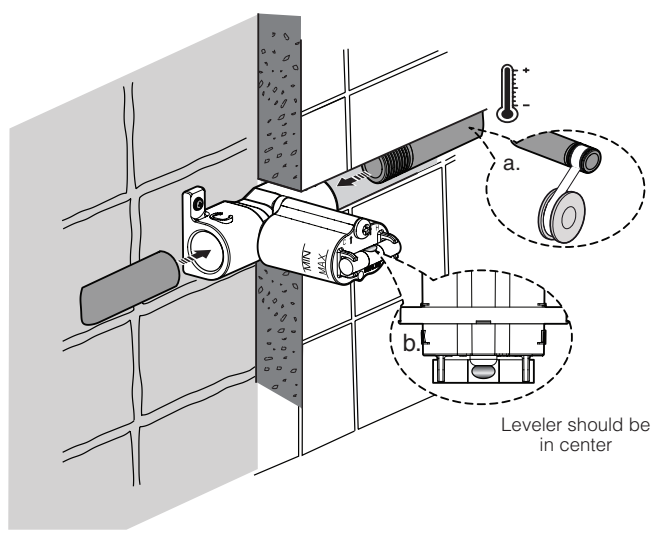


**1**

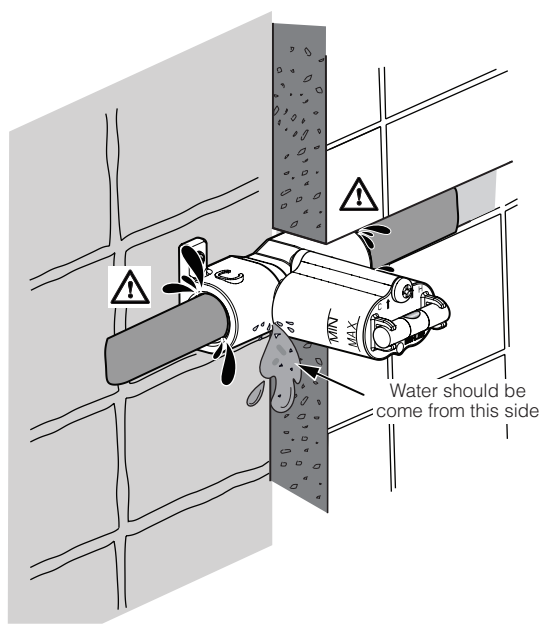



**2**

Install water inlet pipe.

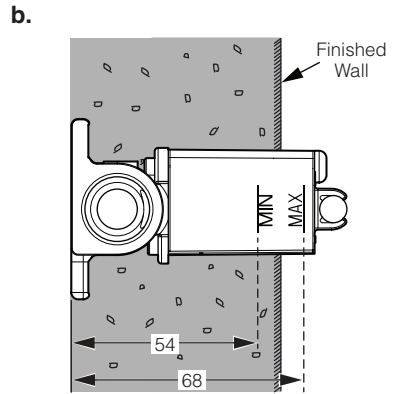
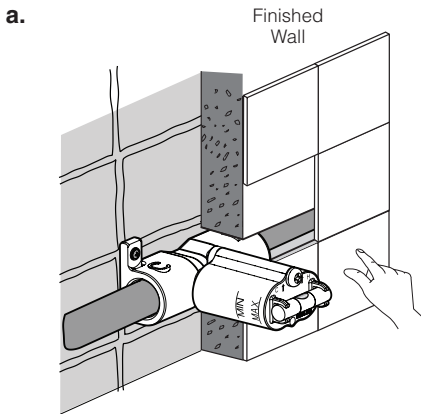


**3**

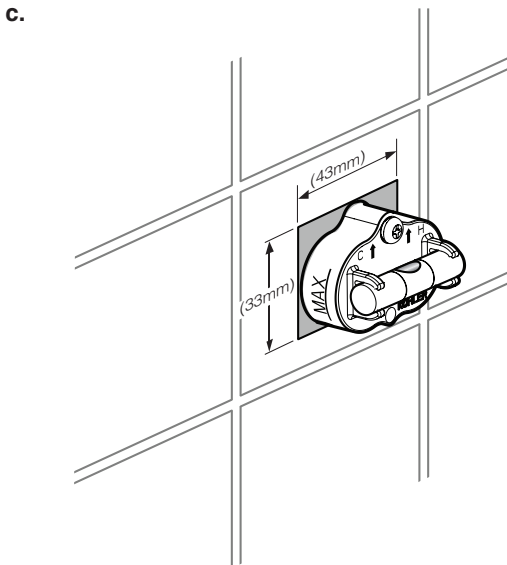


 Ensure no leakage.

**4** Finish the valve installation by cementing and tiling the wall.

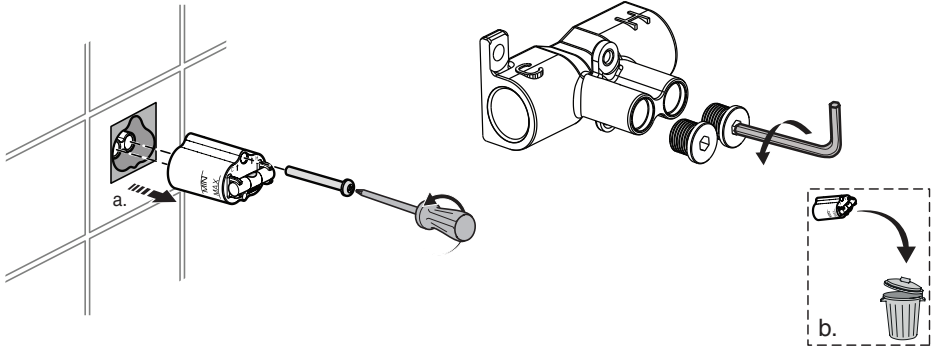


- NOTE:** 1. Make sure the finish wall should lie between MIN & MAX level.  
2. Finish the valve installation by cementing and tiling the wall.



## INSTALLATION INSTRUCTIONS - FAUCET

**1** Unscrew the nut and remove cover. Then remove the sealing plug with alley key.

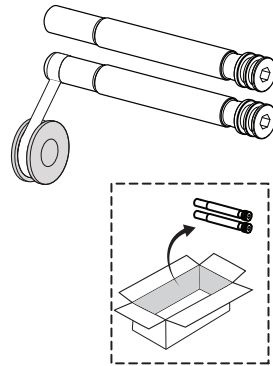


**2**



**⚠** Ensure no leakage.

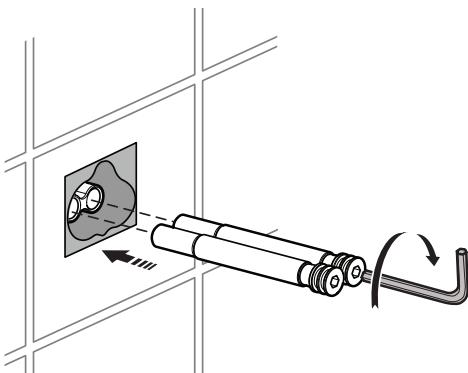
**3**



**NOTE:** Use teflon tape before installation of connectors.

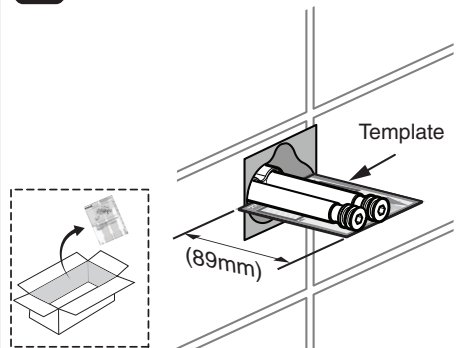
**4**

Install connector and tighten with allen key.



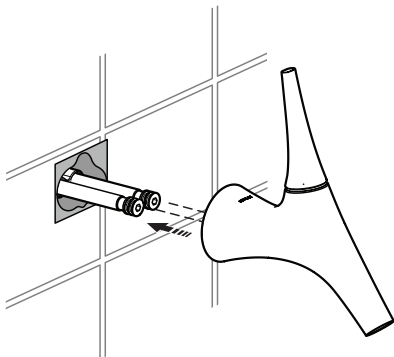
**5**

Take a template from a box.

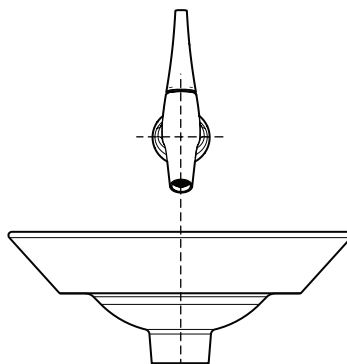
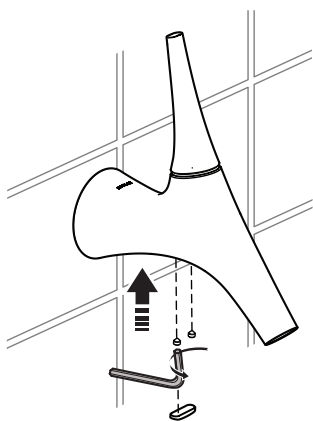


**NOTE:** Make sure hot/cold connector to be tightend upto "Template end".

**5** Slide the faucet into the connector.

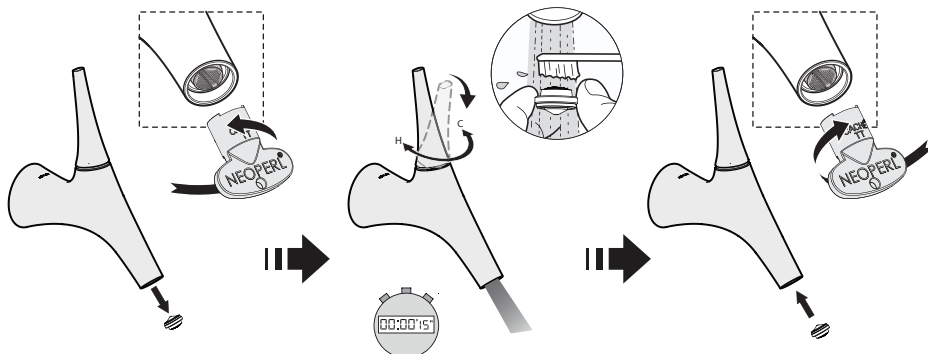


**6** Tighten the screw with allen key.



**NOTE:** Make sure faucet should be vertical.

## AERATOR CLEANING AND SERVICING

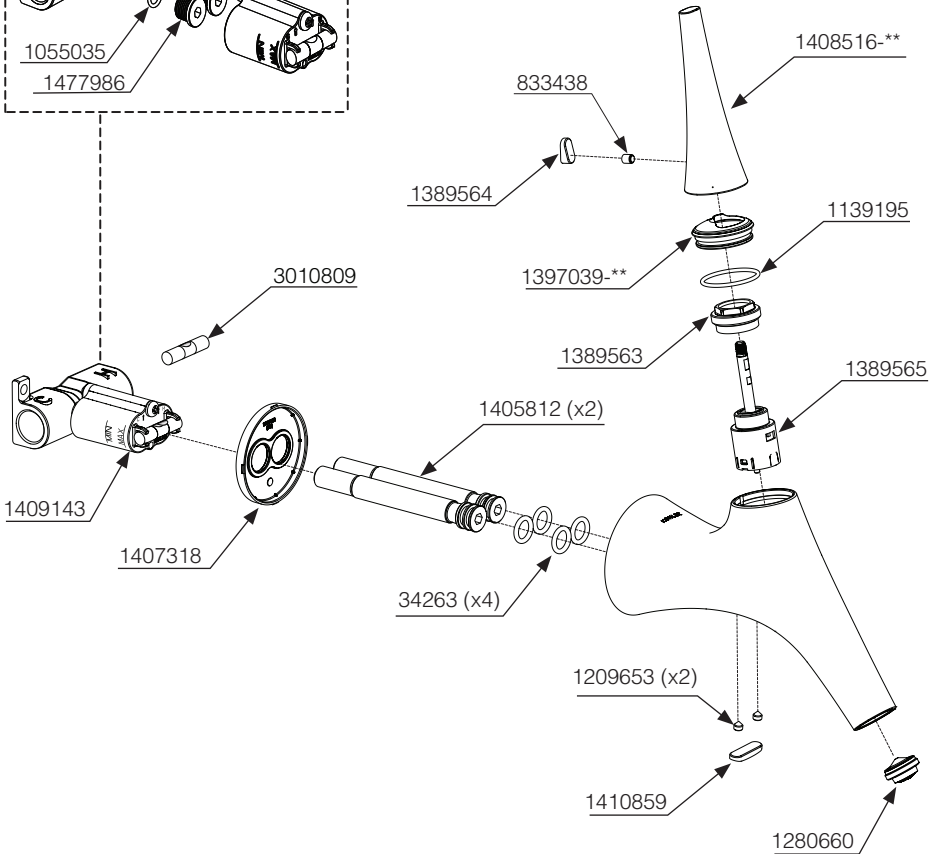
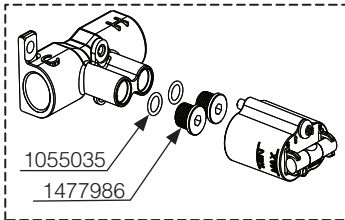


\* Ensure there is no leakage from the sides of aerator after tightening.

# CLEANING INSTRUCTIONS



# SERVICE PARTS



\*\*-Finish code must be specified when ordering.