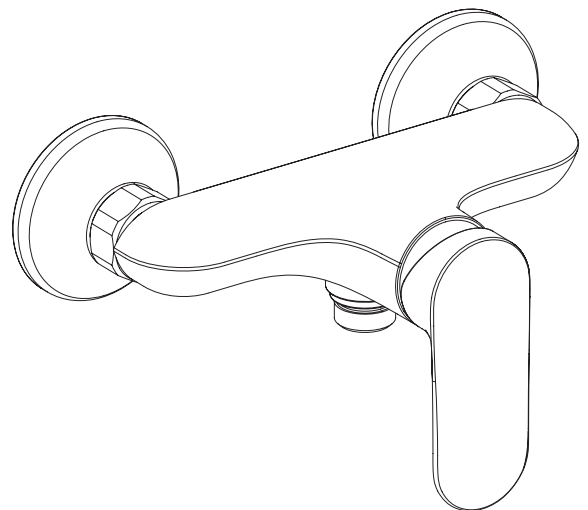
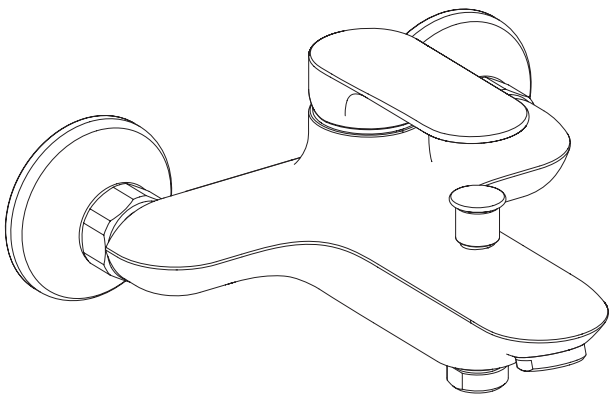
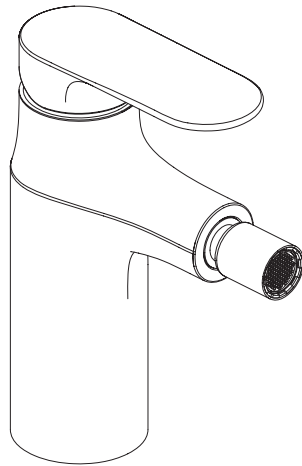
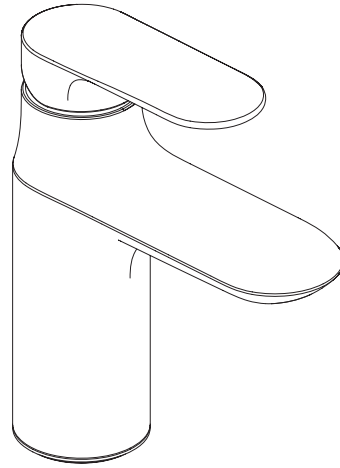
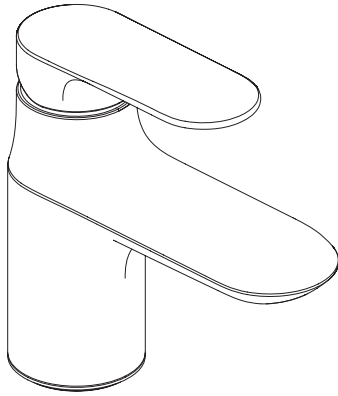
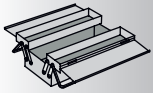


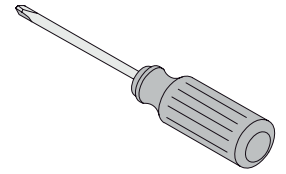
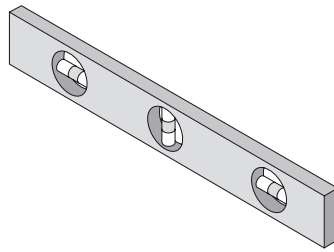
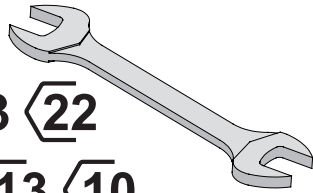
KOHLER®

KUMIN





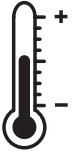
$\boxed{30}$ $\boxed{23}$ $\boxed{22}$
 $\boxed{19}$ $\boxed{13}$ $\boxed{10}$



P

Bar

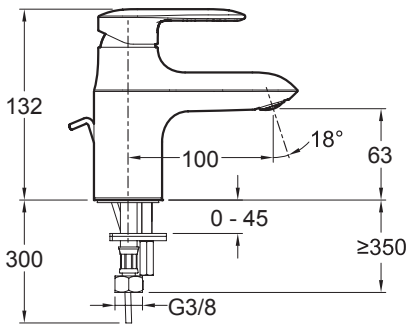
0.5 < **3** < 6



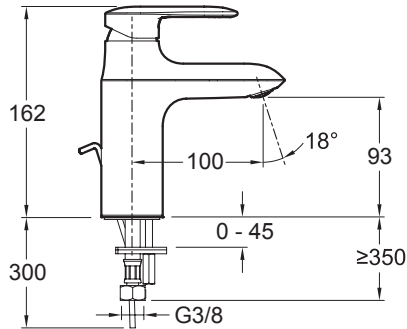
T

°C

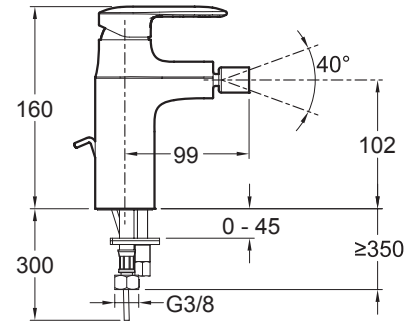
55 < **60** < 65



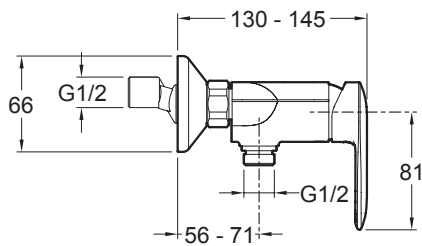
99980D-**
99984D-**



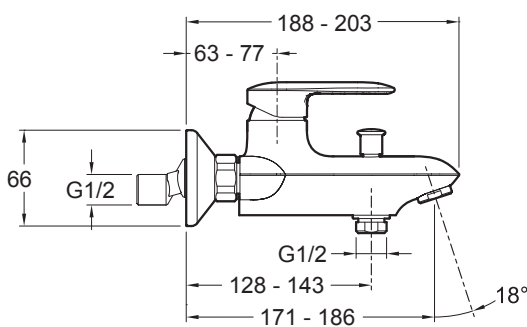
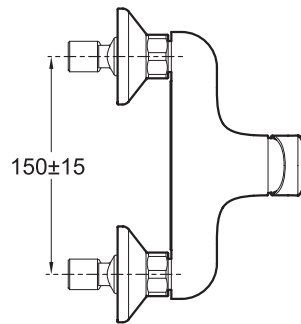
98827D-**
99447D-**



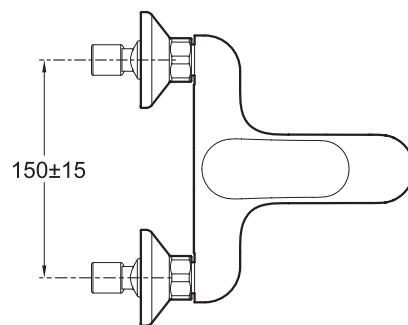
99456D-**



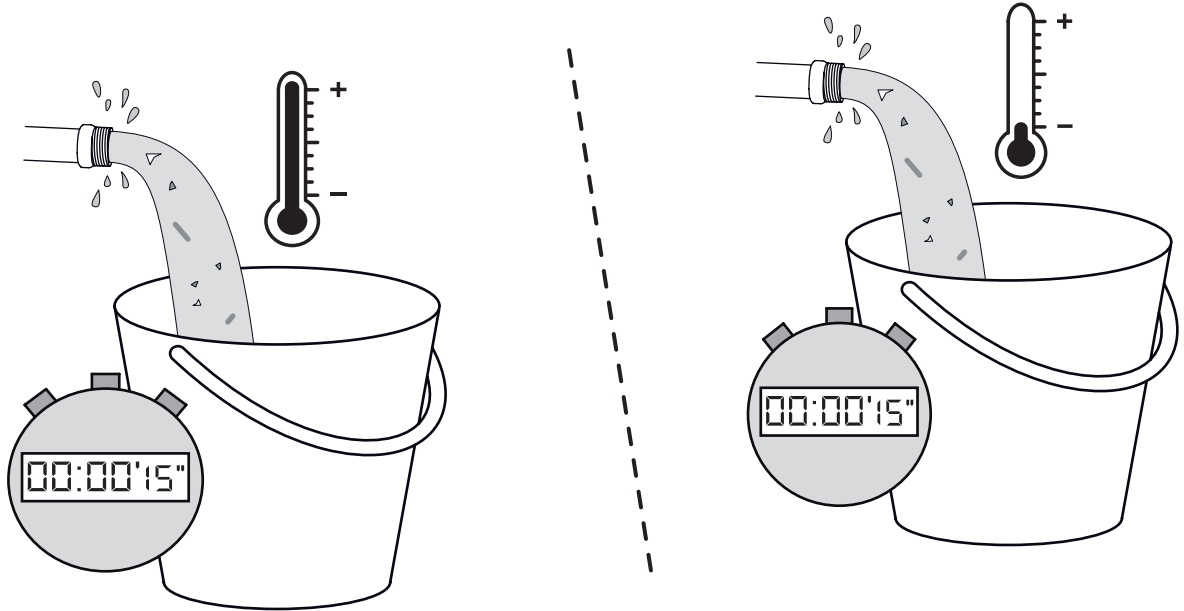
99463D-**



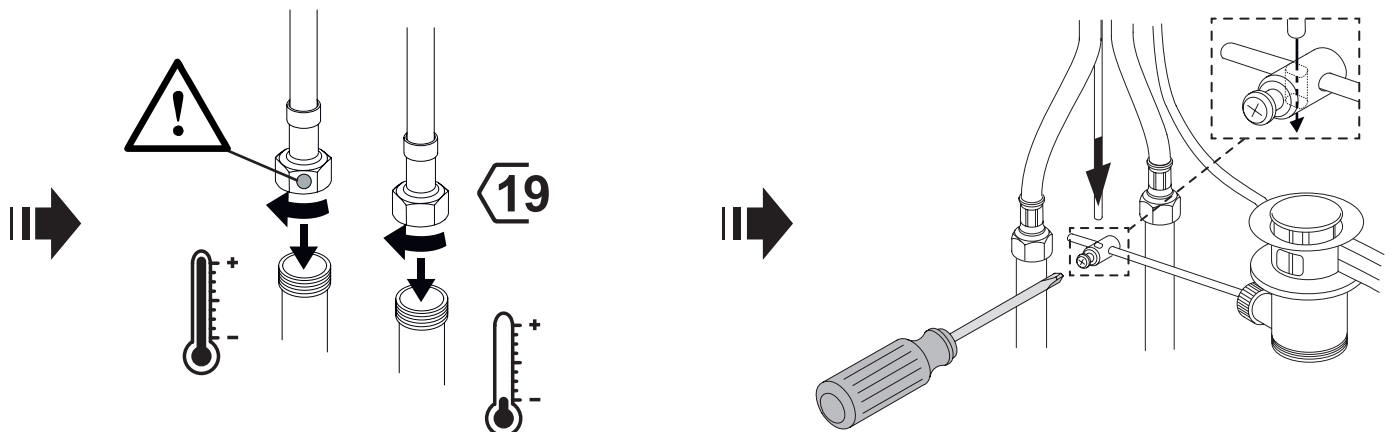
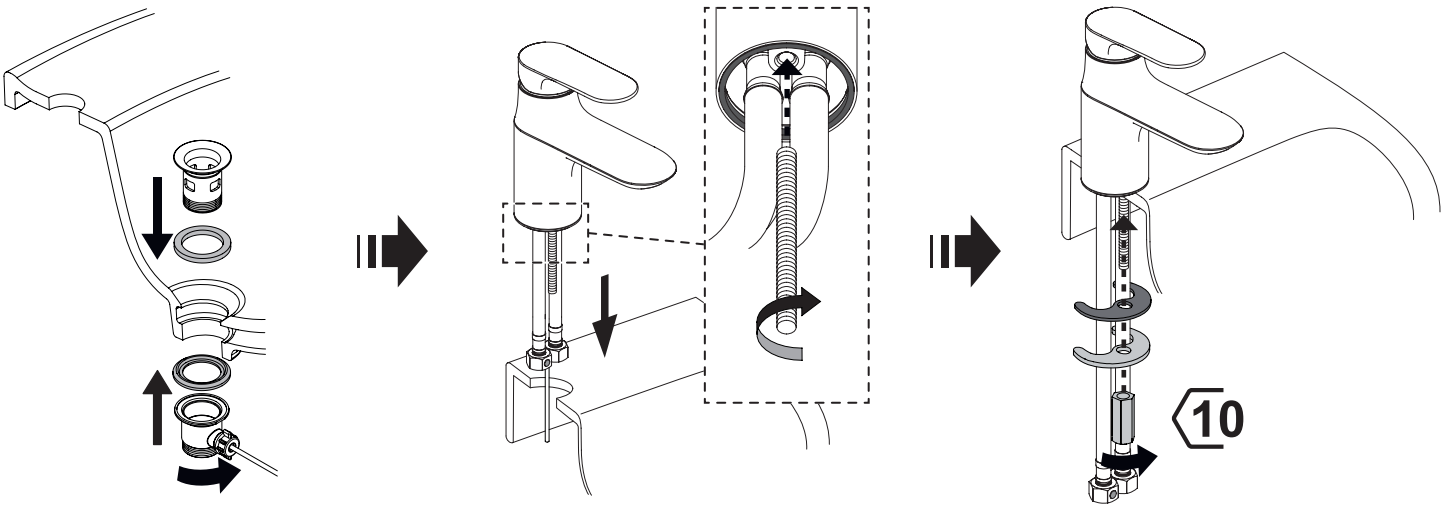
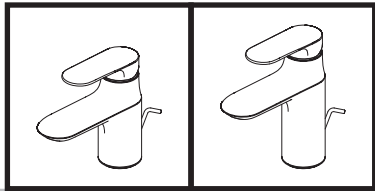
99460D-**



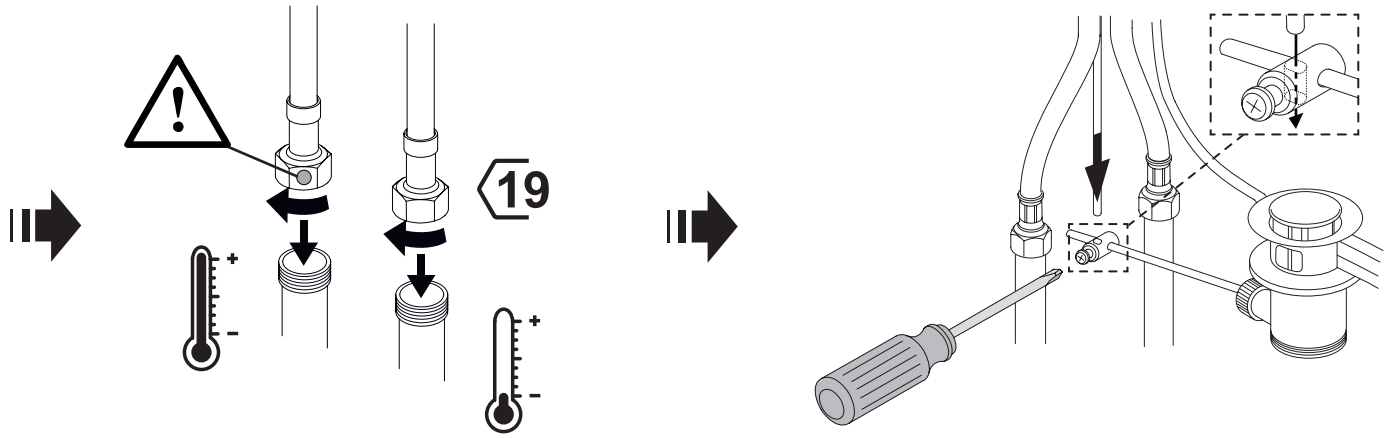
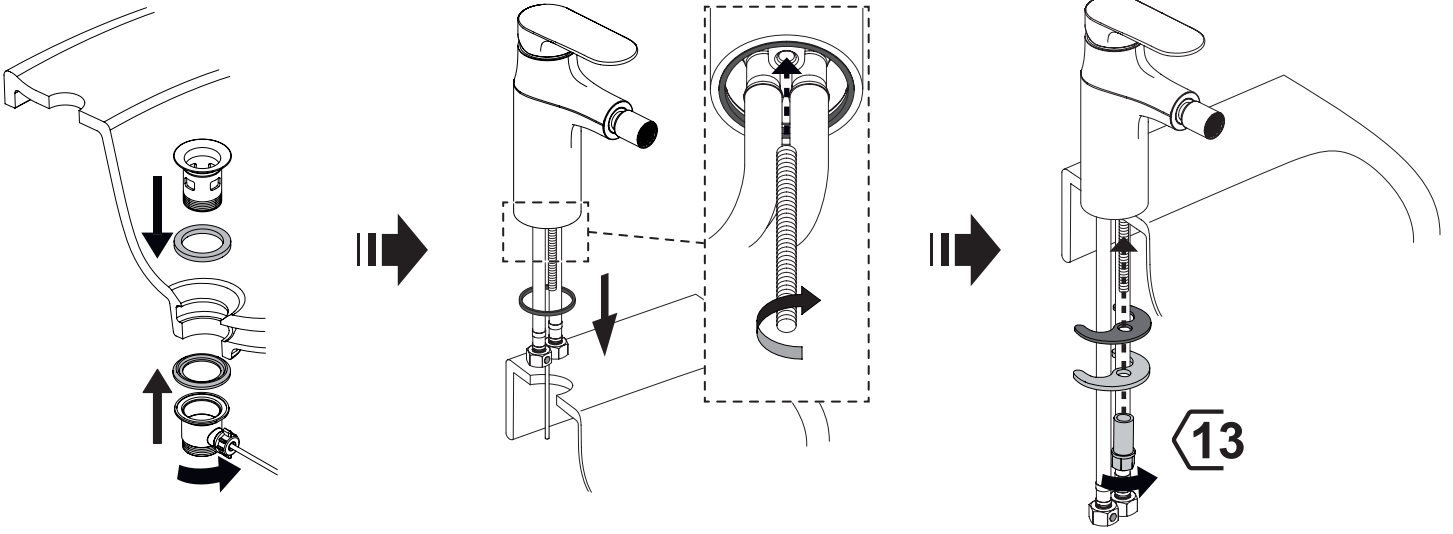
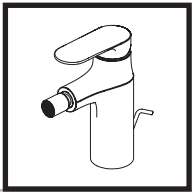
1



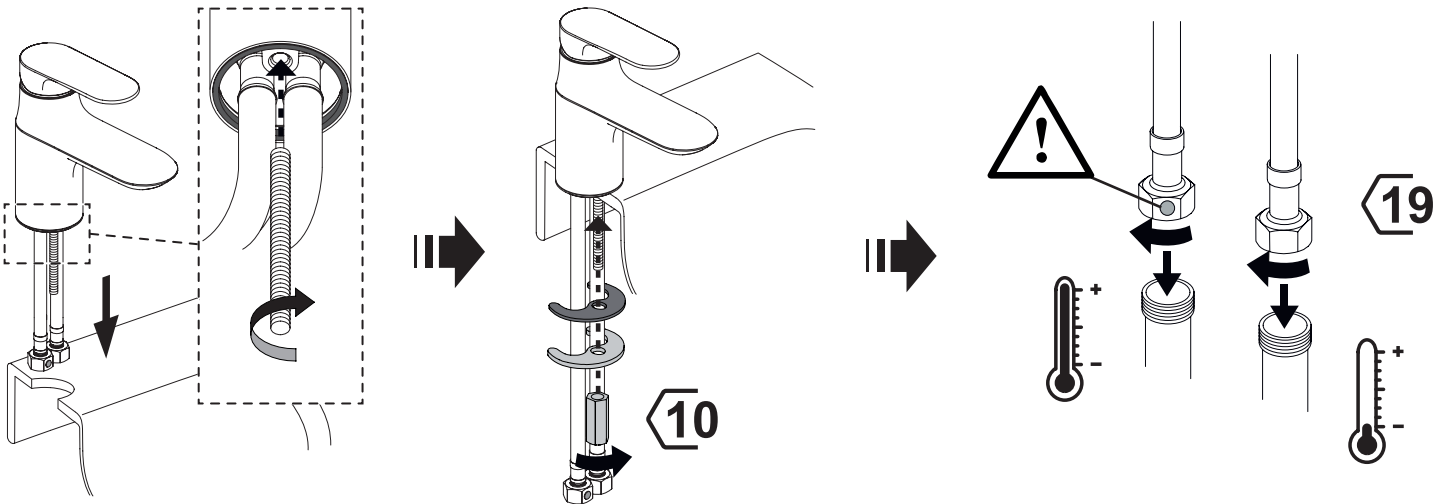
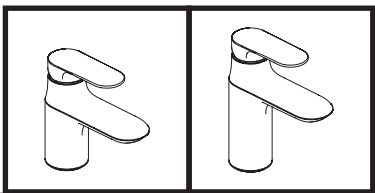
2



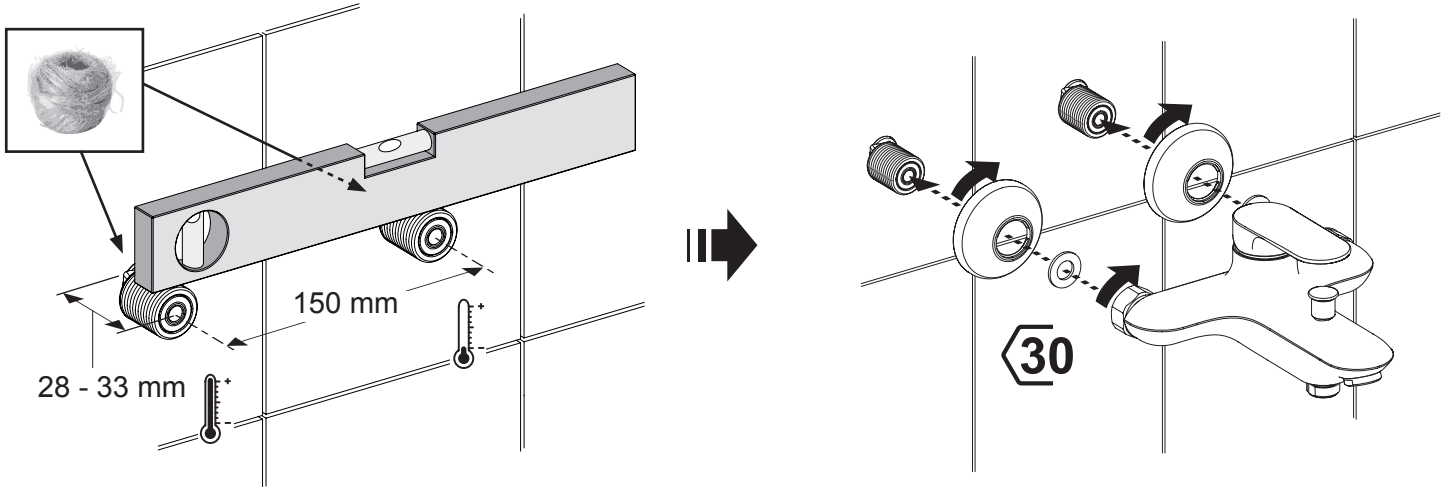
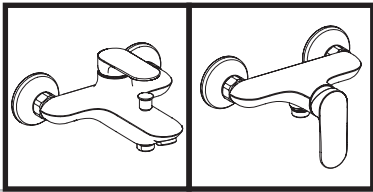
2



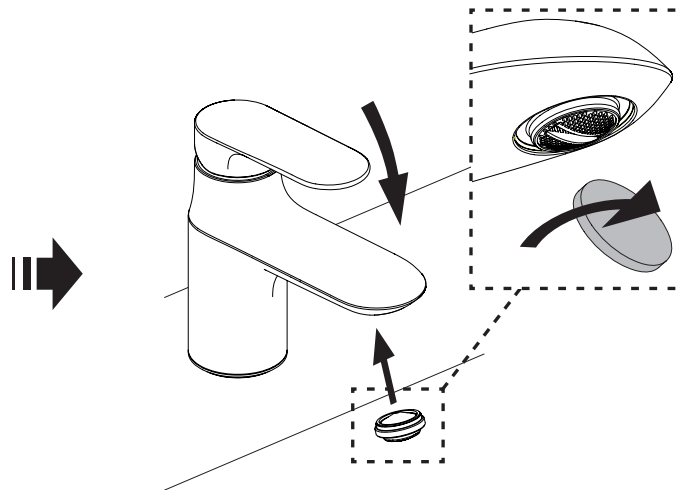
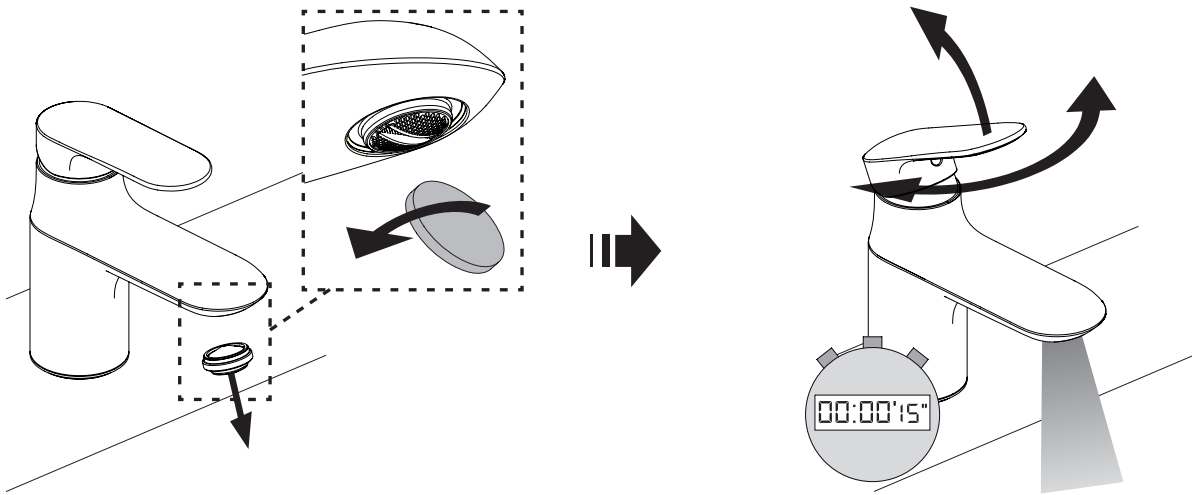
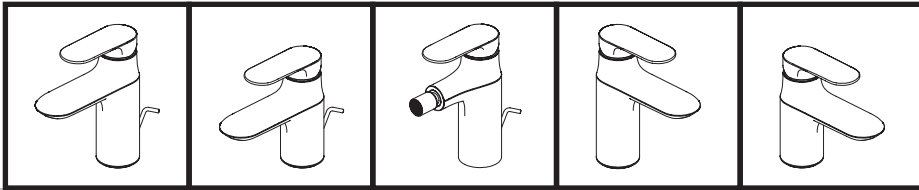
2



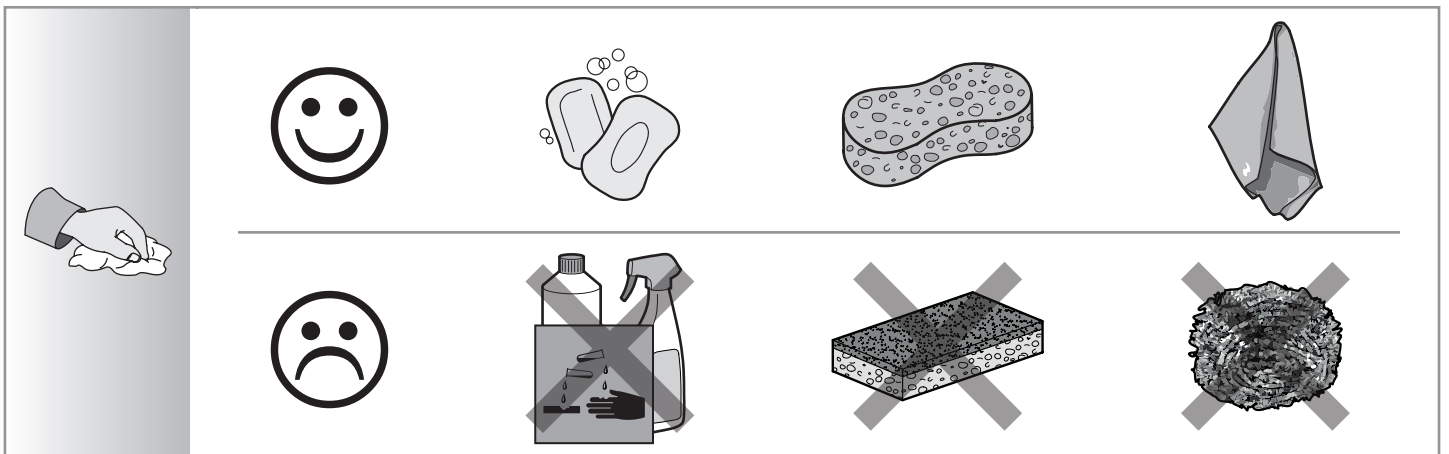
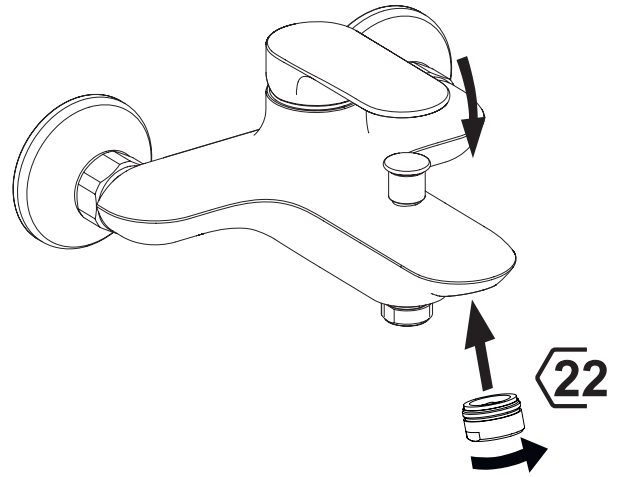
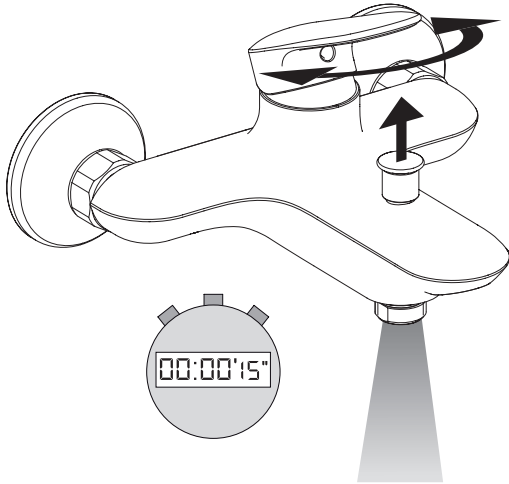
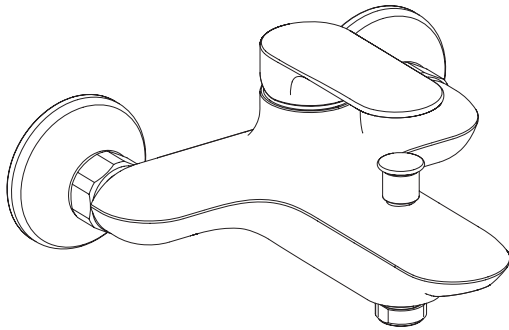
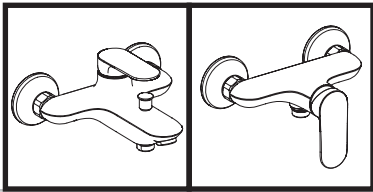
2

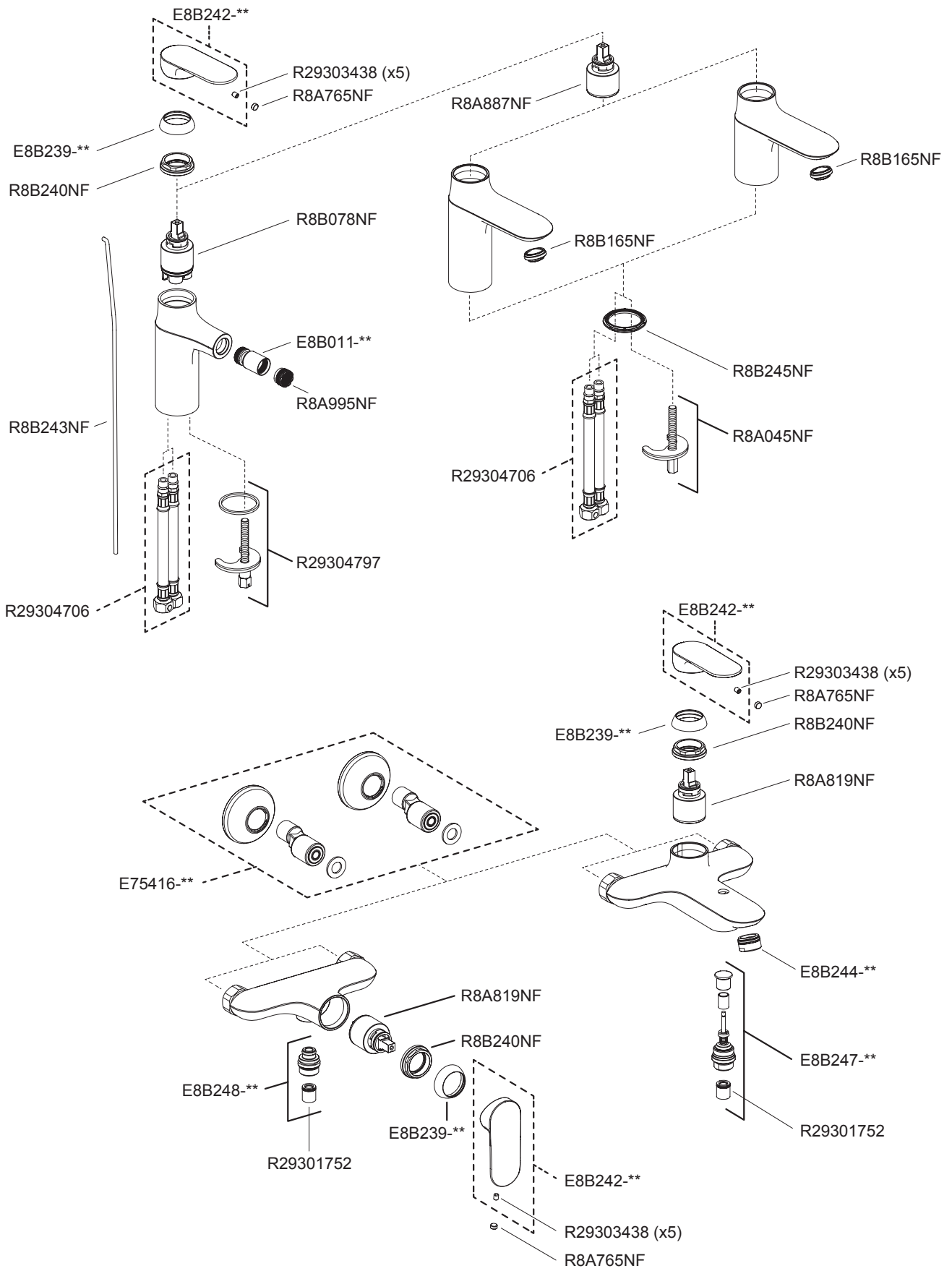


3



3





KOHLER®