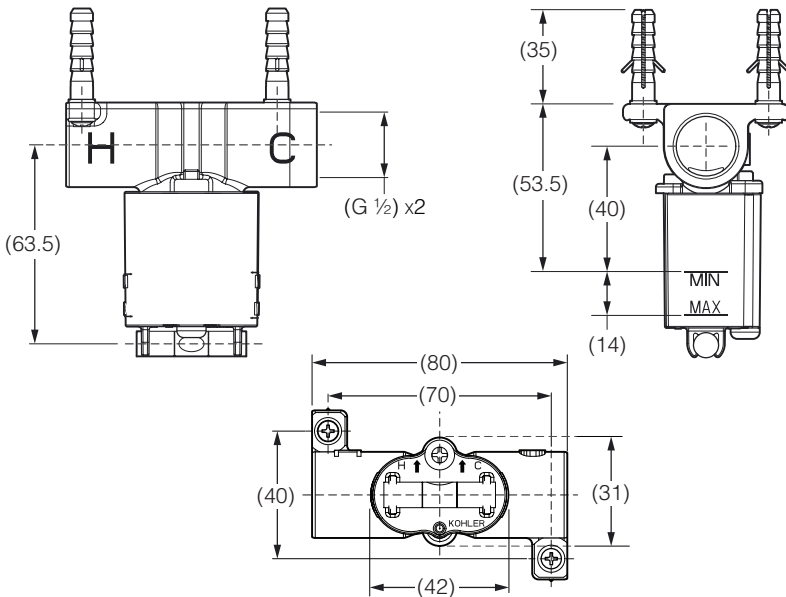
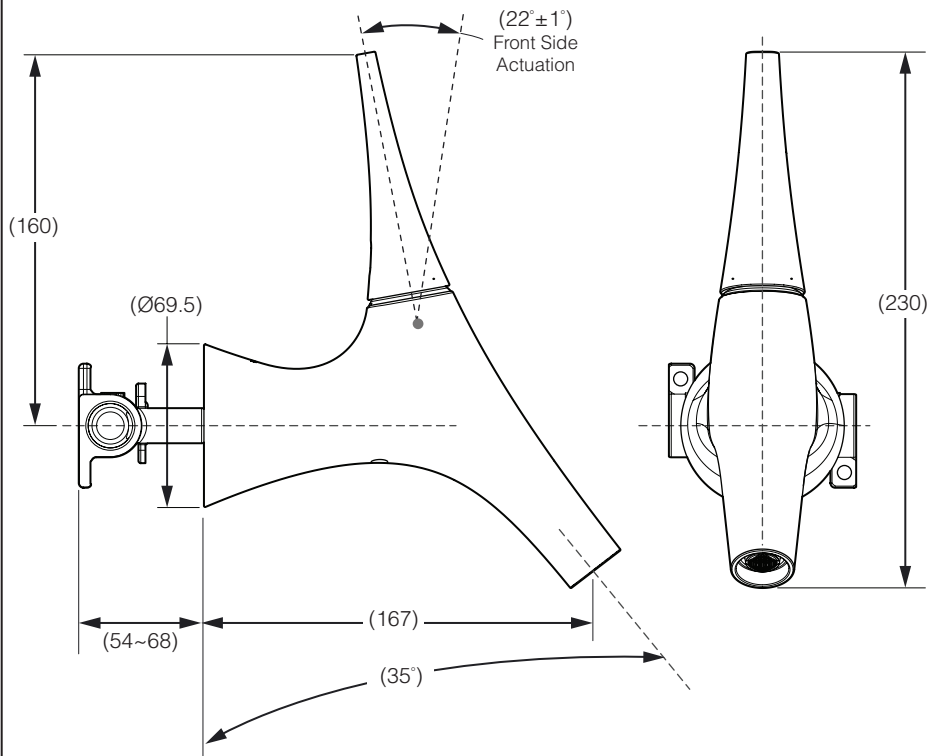


23975IN-4ND-**
MONOBLOCK SC WM
LAV FAUCET & VALVE

ROUGH-IN DIMENSIONS (in mm)



1409143 (VALVE ASSEMBLY)

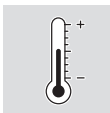


23975IN-4**

PRESSURE & HOT INLET TEMPERATURE



P (Bar) 0.5 < 3 < 5.5



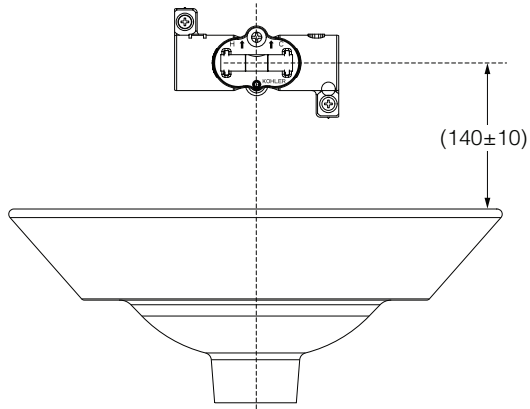
T (°C) < 65



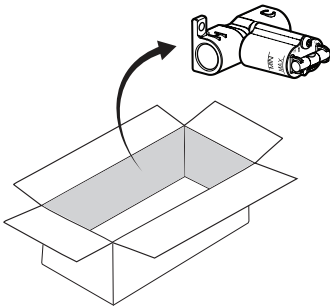
TOOLS REQUIRED



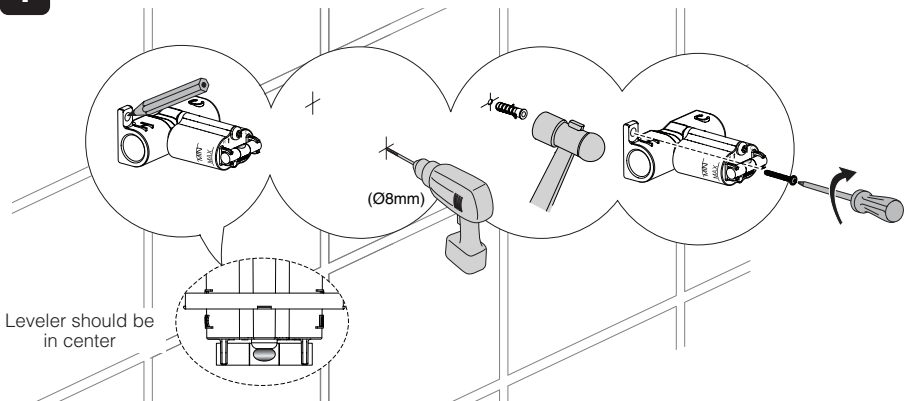
INSTALLATION - VALVE ASSEMBLY W.R.T LAVATORY (in mm)



INSTALLATION INSTRUCTIONS - VALVE

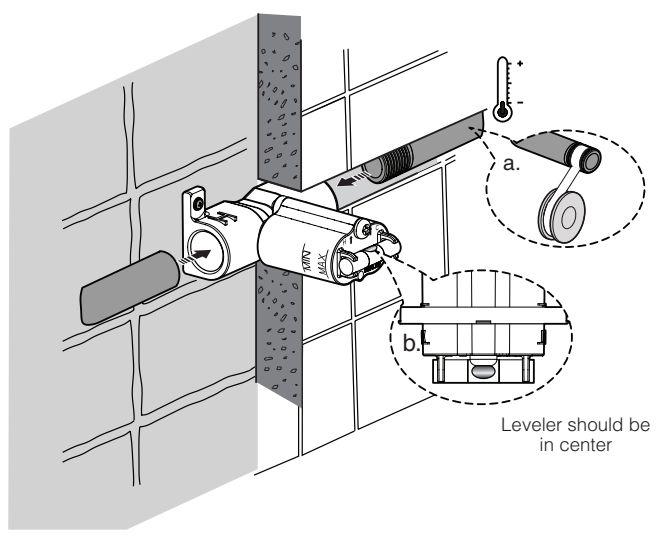


1

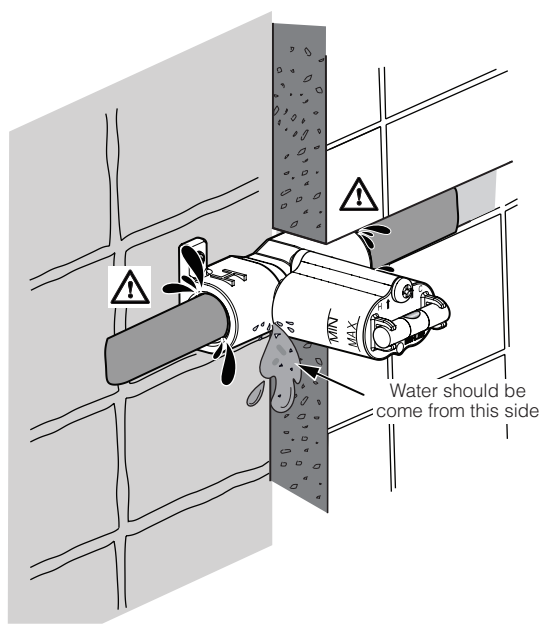



2

Install water inlet pipe.

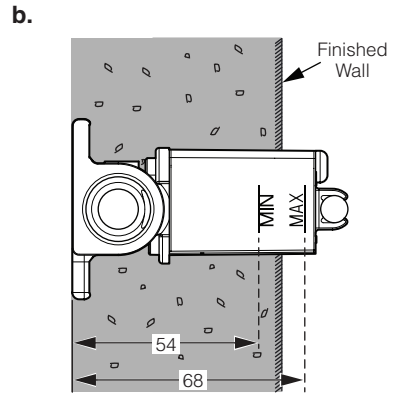
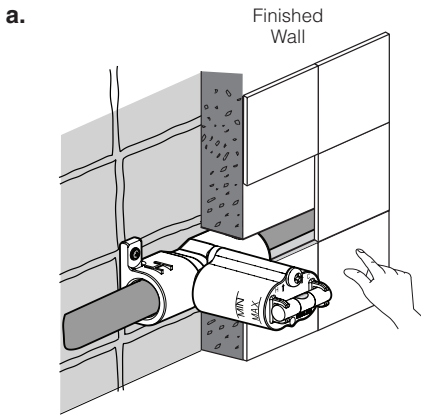


3

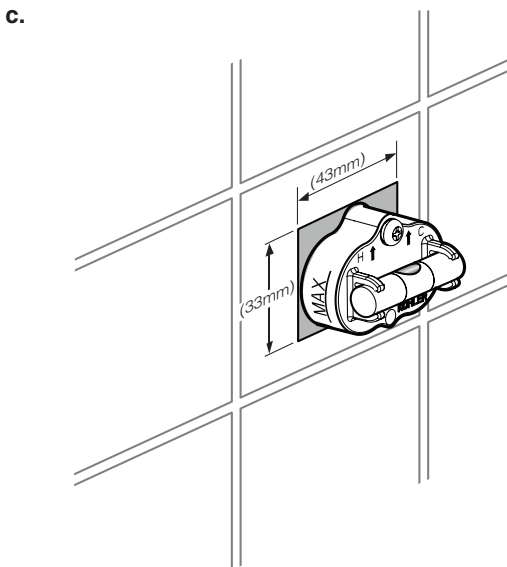


 Ensure no leakage.

4 Finish the valve installation by cementing and tiling the wall.

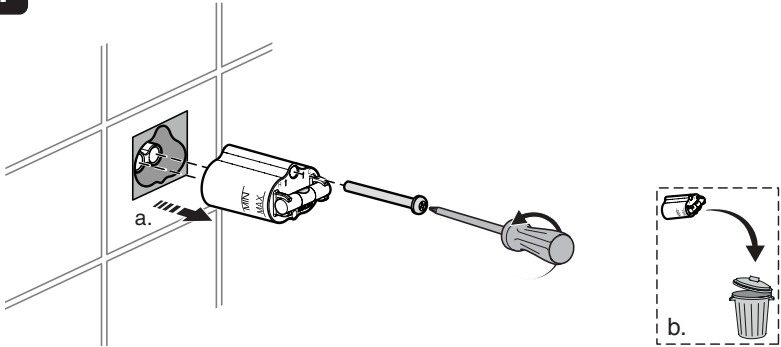


- NOTE:** 1. Make sure the finish wall should lie between MIN & MAX level.
2. Finish the valve installation by cementing and tiling the wall.



INSTALLATION INSTRUCTIONS - FAUCET

1 Unscrew the nut and remove cover.

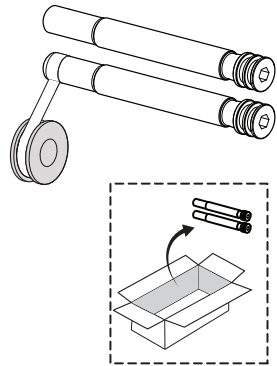


2



⚠ Ensure no leakage.

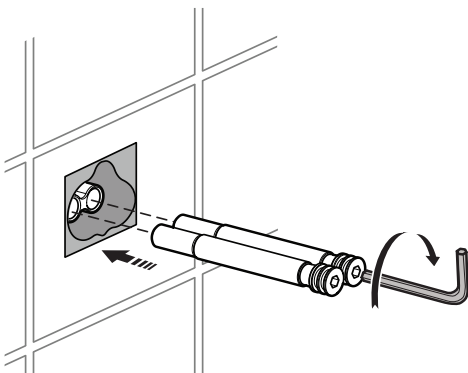
3



NOTE: Use teflon tape before installation of connectors.

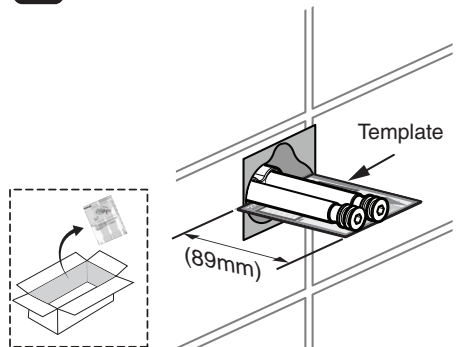
4

Install connector and tighten the with allen key.



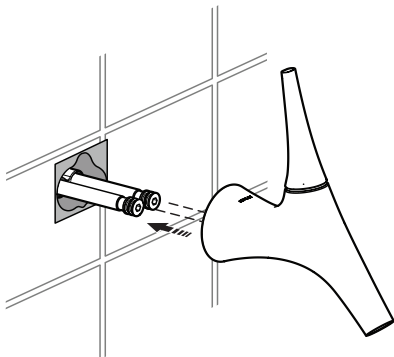
5

Take a template from a box.

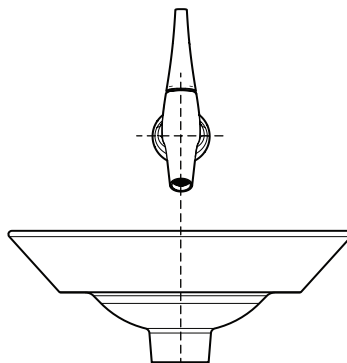
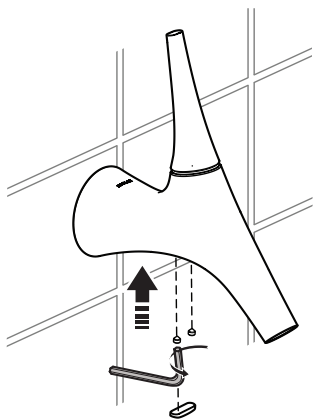


NOTE: Make sure hot/cold connector to be tightend upto "Template end".

5 Slide the faucet into the connector.

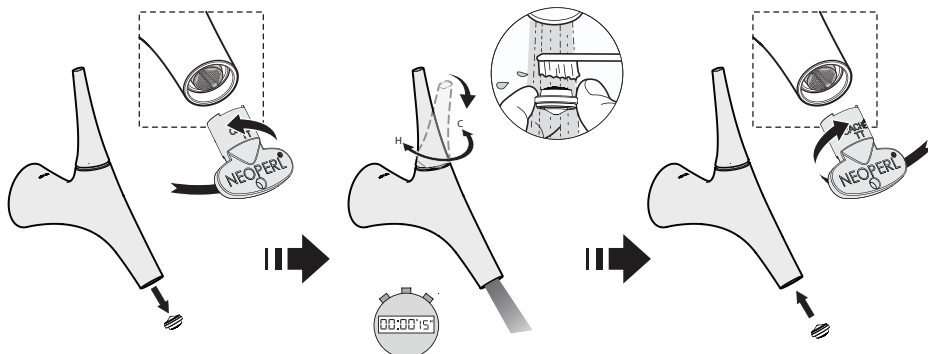


6 Tighten the screw with allen key.



NOTE: Make sure faucet should be vertical.

AERATOR CLEANING AND SERVICING

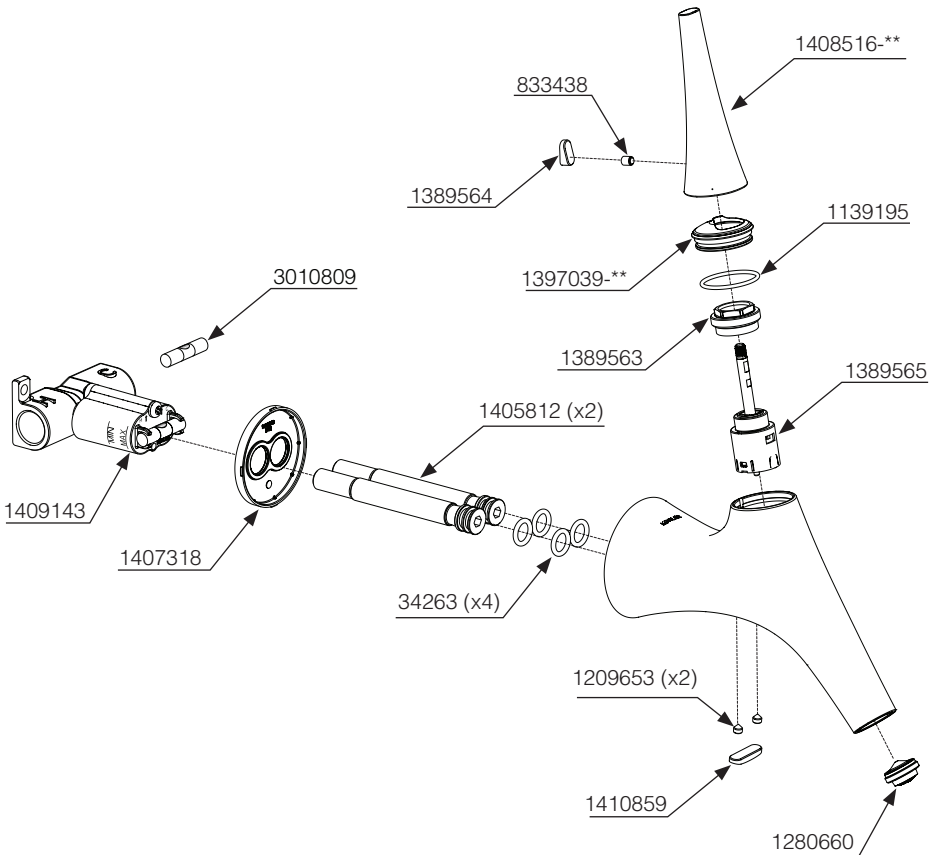


* Ensure there is no leakage from the sides of aerator after tightening.

CLEANING INSTRUCTIONS



SERVICE PARTS



**.-Finish code must be specified when ordering.