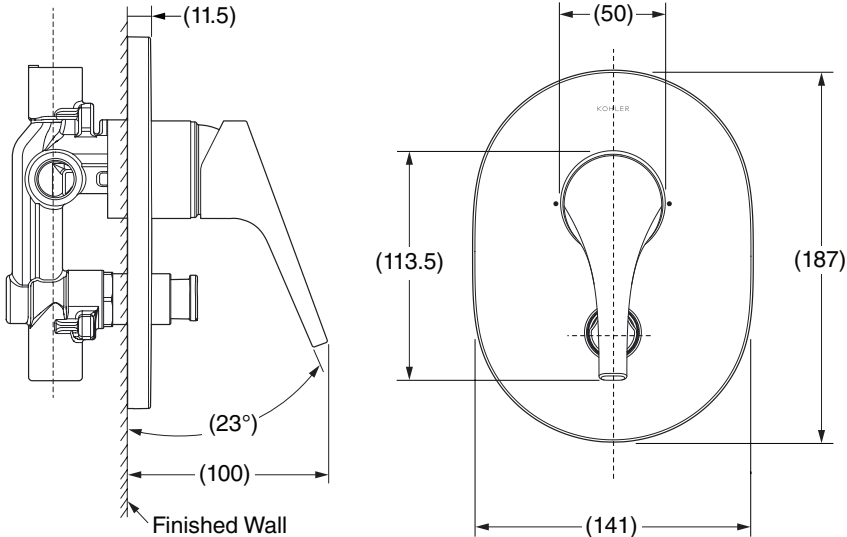


23971IN-4FP-**
AT235 RBS TRIM

ROUGH-IN DIMENSIONS (in mm)



PRESSURE & HOT INLET TEMPERATURE



P (Bar) 0.5 < 3 < 5.5



T (°C) < 65

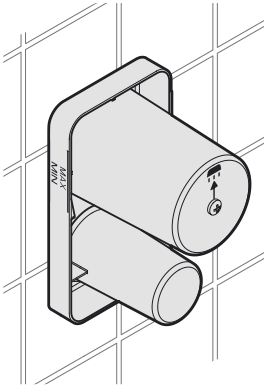


TOOLS REQUIRED

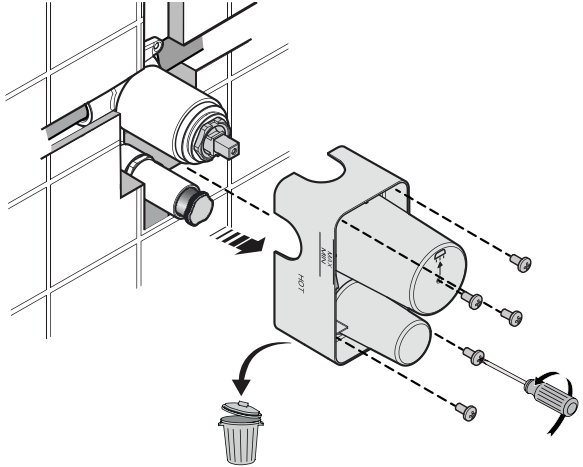


INSTALLATION INSTRUCTIONS

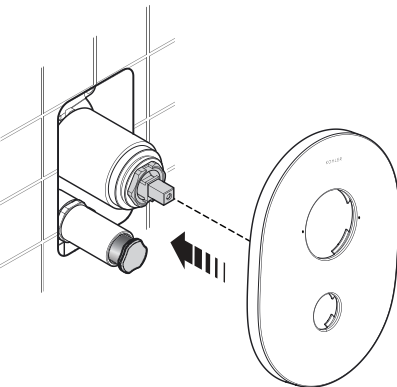
1



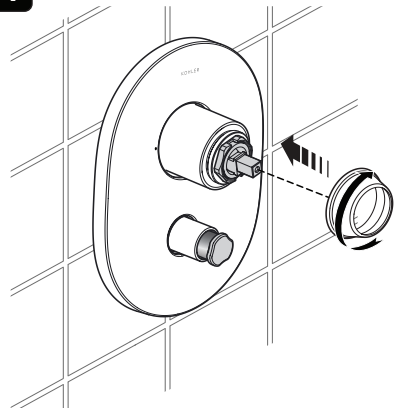
2



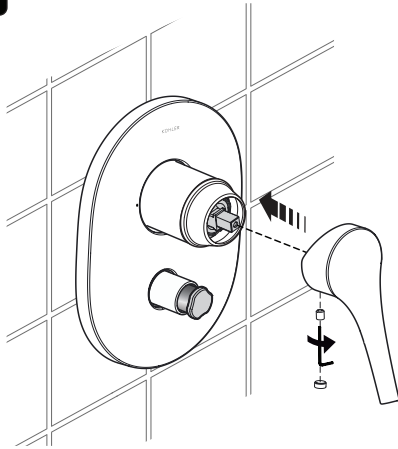
3



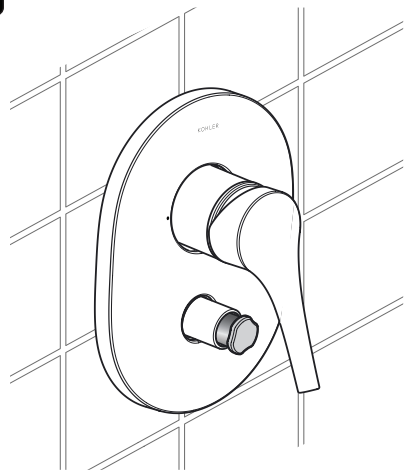
4



5

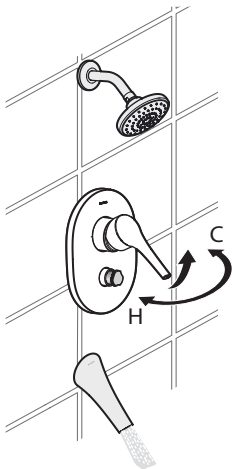


6

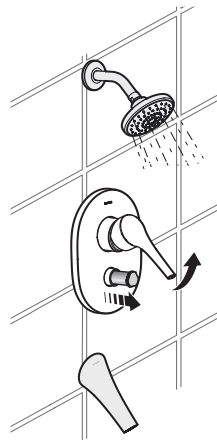


OPERATING INSTRUCTIONS

a.



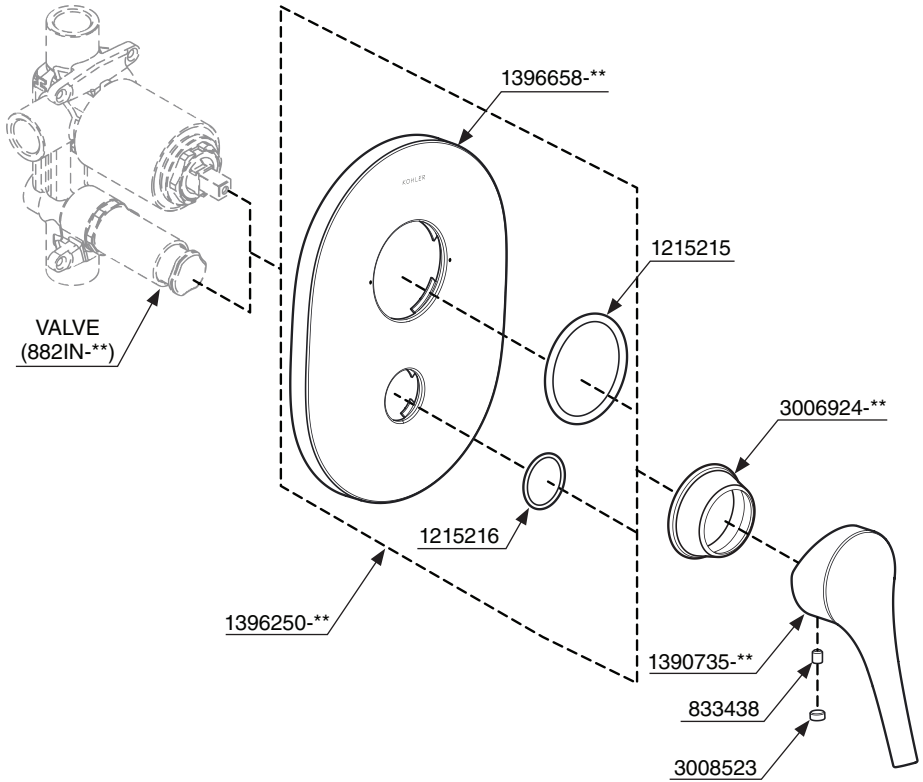
b.



CLEANING INSTRUCTIONS



SERVICE PARTS



NOTE :- Valve is not the part of SKU's.

**Finish code must be specified when ordering.