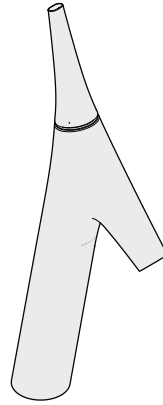
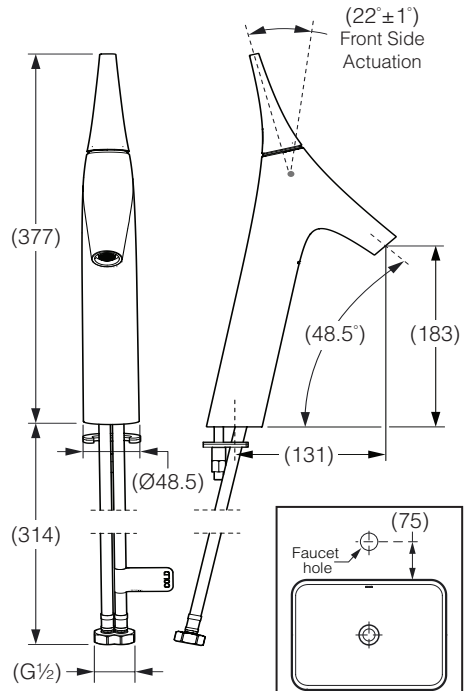
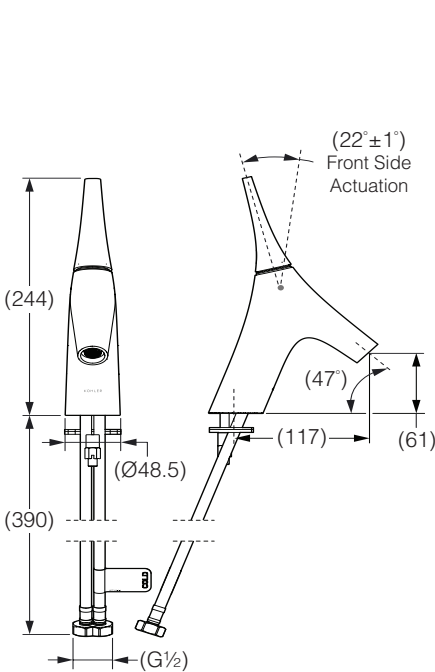


23966IN-4ND-**
SINGLE CONTROL
LAVATORY FAUCET



23967IN-4ND-**
SINGLE CONTROL TALL
LAVATORY FAUCET

ROUGH-IN DIMENSIONS (in mm)



PRESSURE & HOT INLET TEMPERATURE



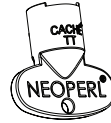
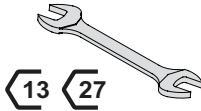
P (Bar) 0.5 < 3 < 5.5



T (°C) < 65

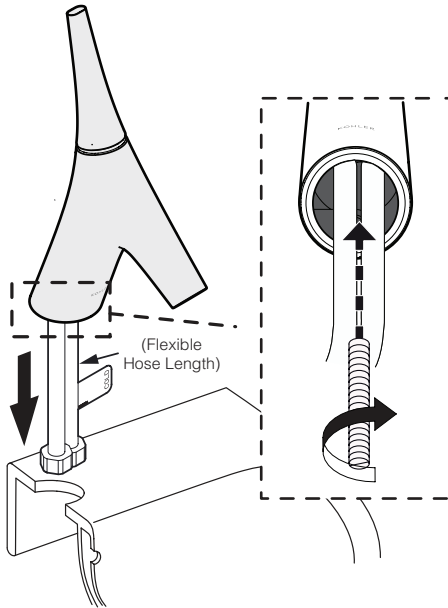


TOOLS REQUIRED

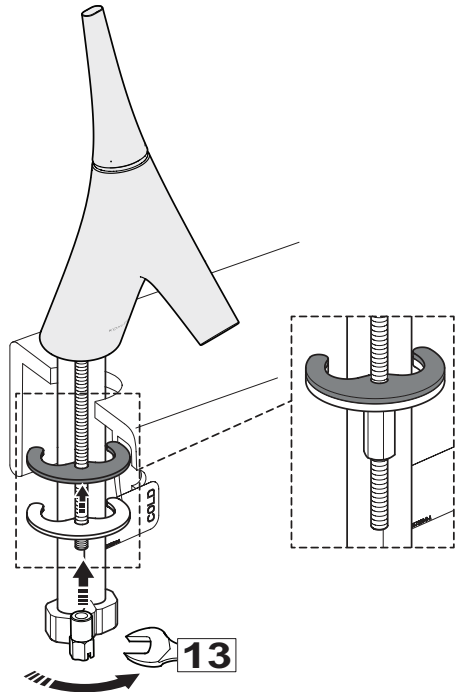


INSTALLATION INSTRUCTIONS

1



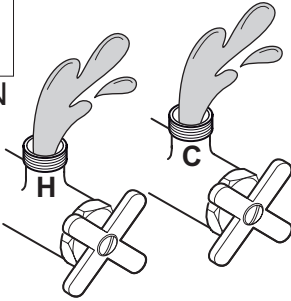
2



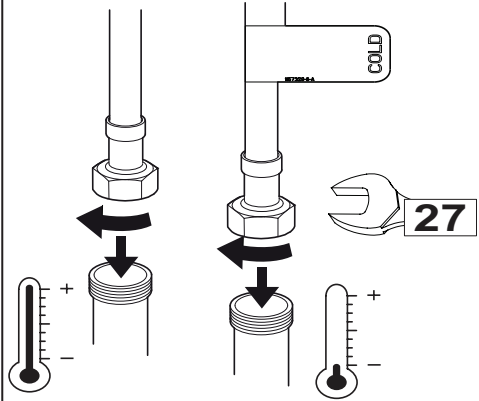
3



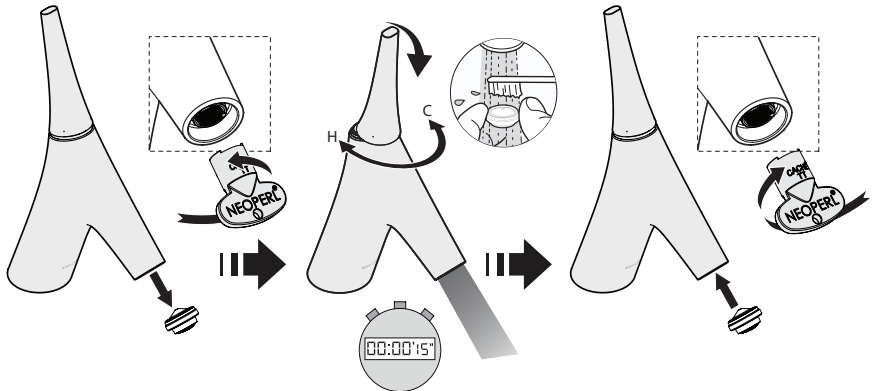
OPEN



4



AERATOR CLEANING AND SERVICING

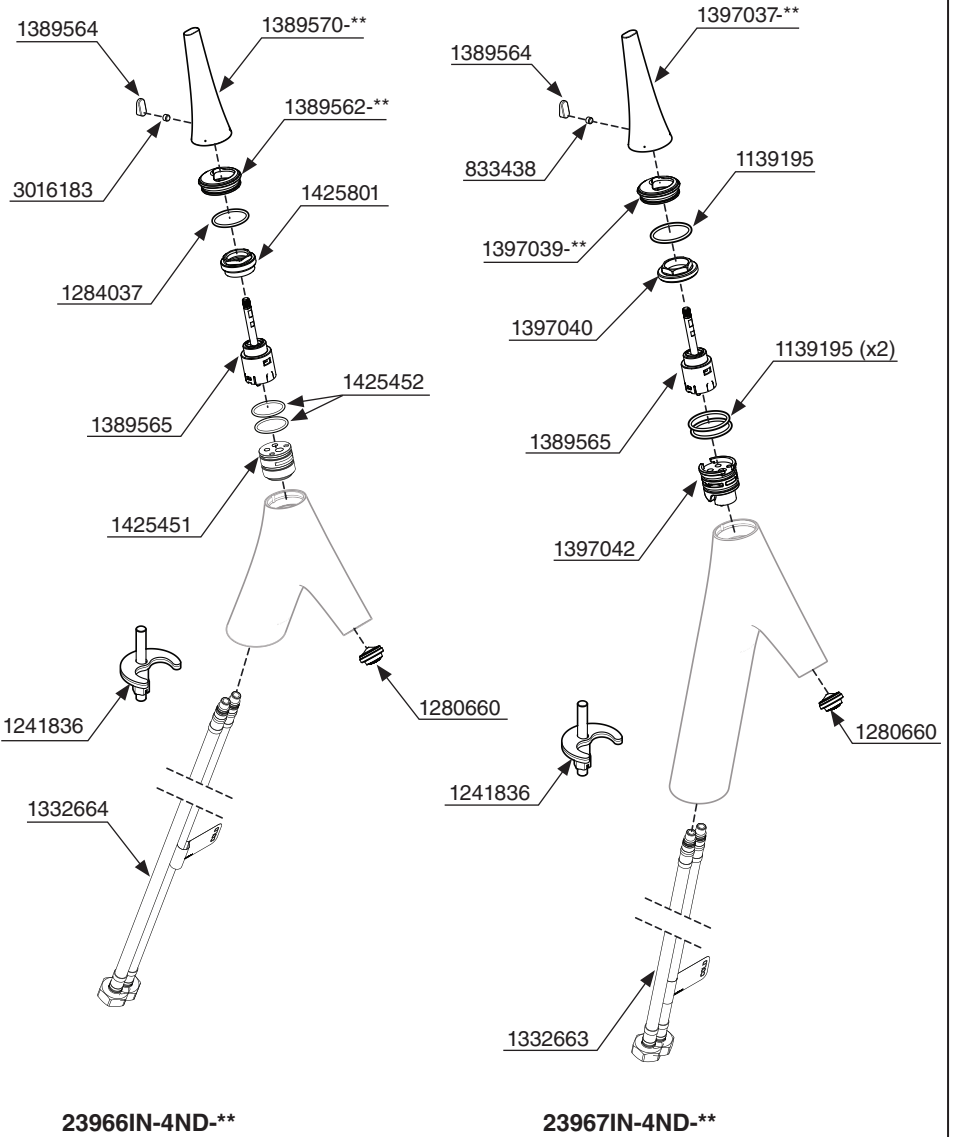


* Ensure there is no leakage from the sides of aerator after tightening.

CLEANING INSTRUCTIONS



SERVICE PARTS



**-Finish code must be specified when ordering.