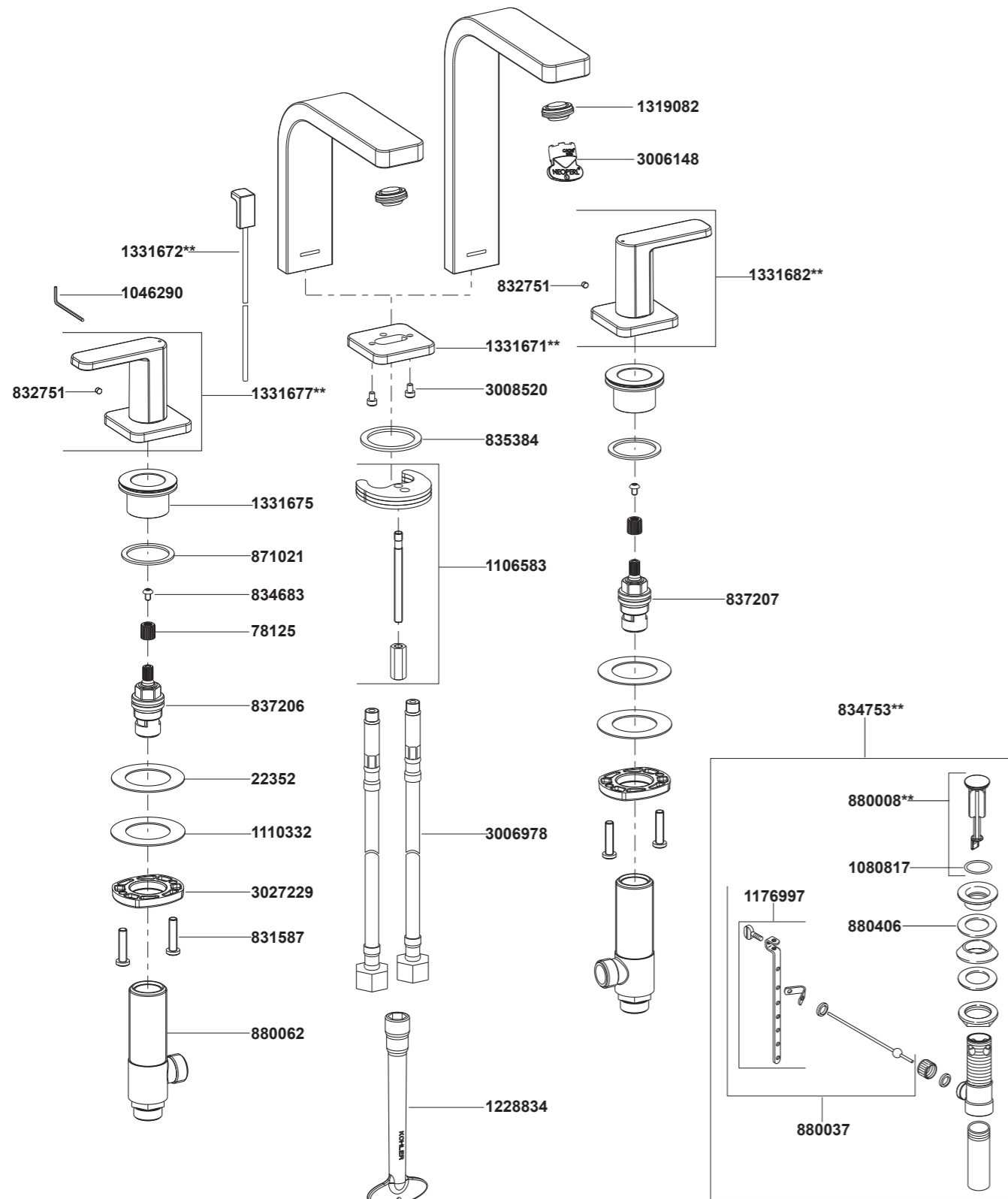


23484T-4E2 Widespread Lavatory Faucet
 22566T-4 Widespread Lavatory Faucet(Tall Spout)



**Color code must be specified when ordering.
NOTE: For all Asia pacific regions (excluding China) add SP (SPxxxxxx**) in front of the part number when ordering.

23484T-4E2 Widespread Lavatory Faucet
 22566T-4 Widespread Lavatory Faucet(Tall Spout)

BEFORE YOU BEGIN

All information is based on the latest product information available at the time of publication. Kohler Co. reserves the right to make changes in product characteristics, packaging, or availability at any time without notice.

Please leave these instructions for the consumer. They contain important information.

NOTES:

1. Flush the water supply pipes thoroughly to remove debris.
2. If possible, install this faucet before installing the lavatory.
3. Inspect the supply tubing for damage and leakage. Replace and maintain as necessary.
4. Observe local plumbing codes.
5. Shut off the water supplies to the fitting.

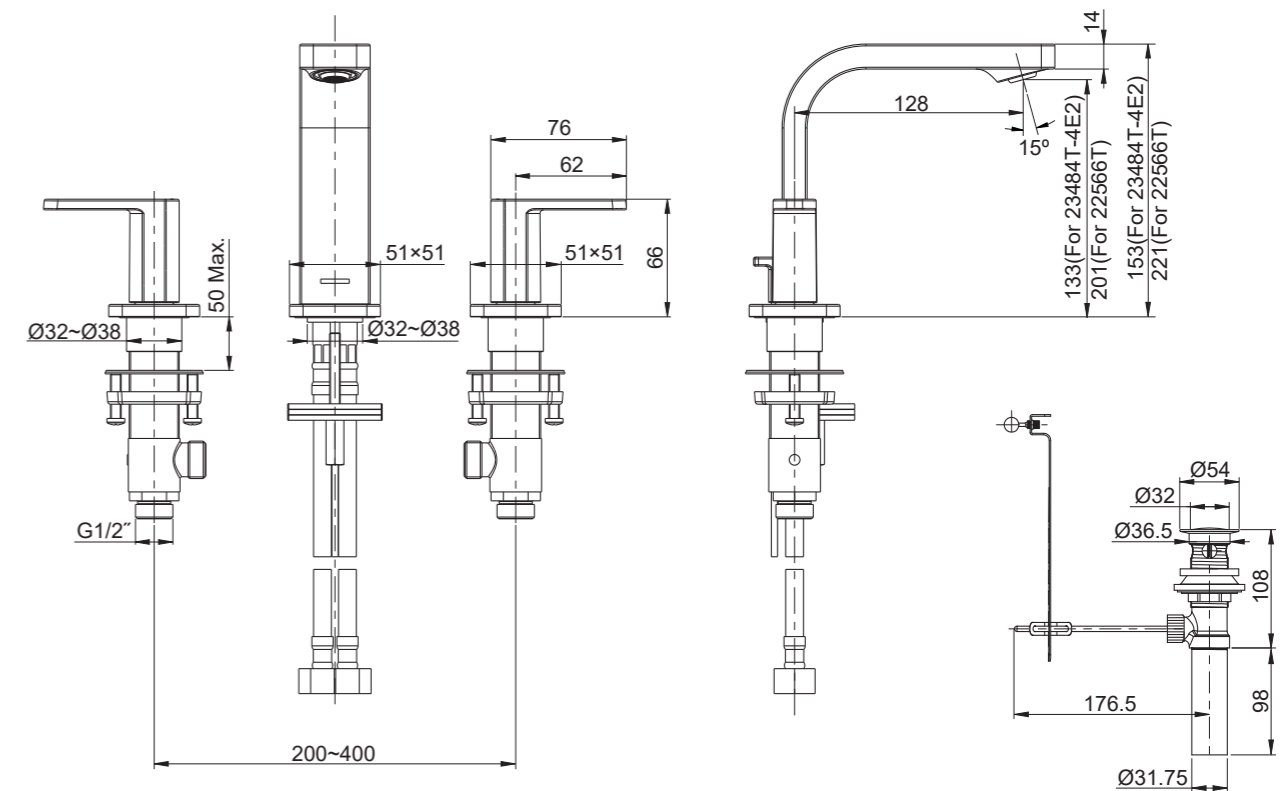
HANDLE OPERATION

Right handle opens with turning clockwise. Left handle opens with turning counter-clockwise.

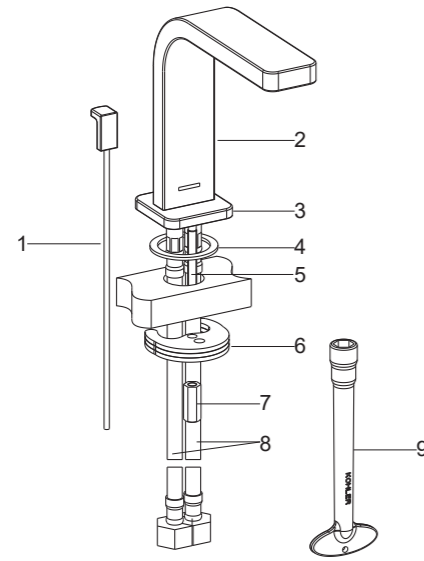
STANDARD APPLICABLE

Special model meets or exceeds the following at date of manufacture: TIS

ROUGH-IN DIMENSIONS



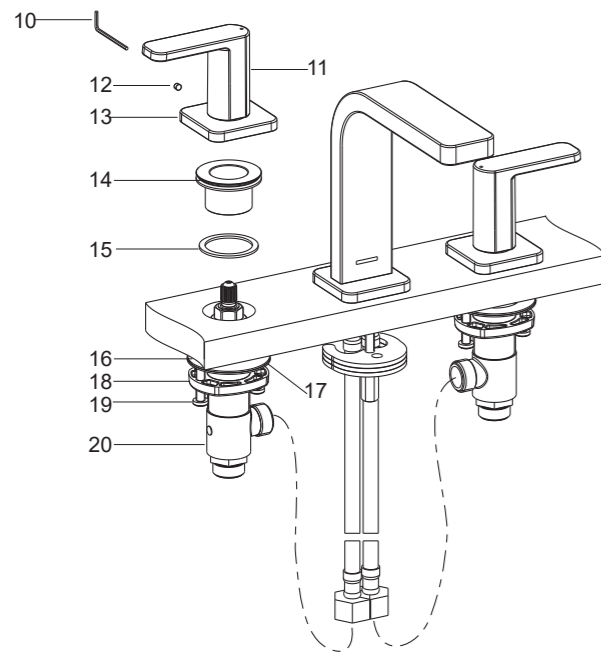
INSTALLATION



How to Install the Spout

Insert the lift rod(1) into the hole at the rear of the spout assembly. Put the washer(4) into the bottom groove of the escutcheon(3) through the flexible hoses(8) and stud(5). Insert the hoses and stud into the central hole of the lavatory.

Position the spout and keep it frontwards. From underside of the lavatory, fit the washers(6, rubber washer is on the top) onto the stud. Screw the nut(7) onto the stud. Tighten the nut by tool(9) to secure the spout.



How to Install the Valve Bodies and Handles

Remove the nut(14) and rubber washer(15) from each valve body(20). Ensure the washer(16), steel washer(17) and threaded ring(18) on the valve body.

From the underside of the lavatory, install the valve body into the mounting hole. **NOTE:** The valve body with red mark should be installed on the left side and connected with hot water supply.

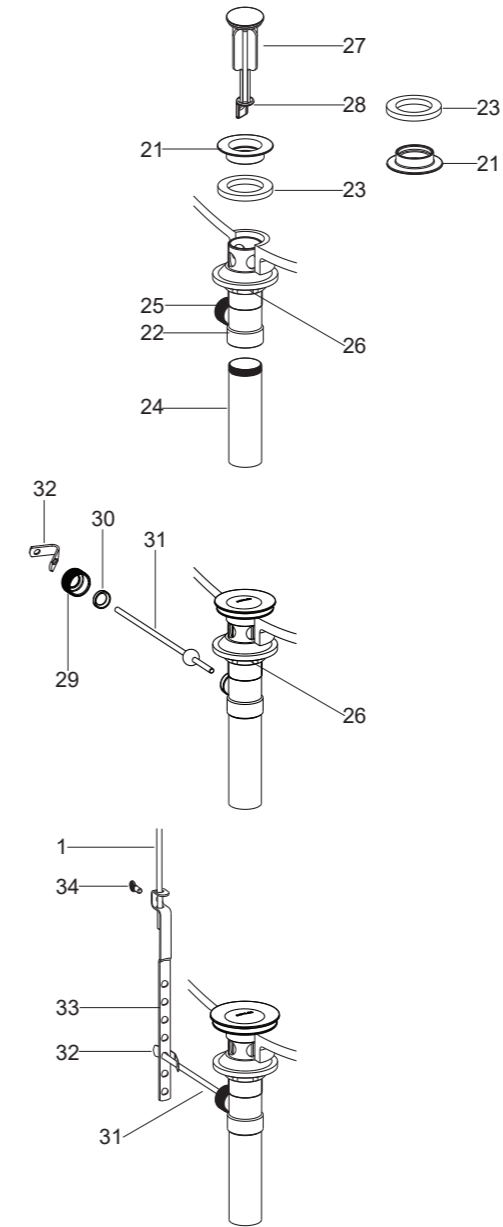
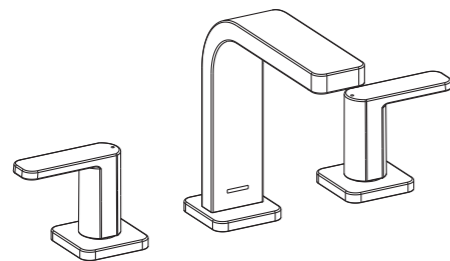
Put the rubber washer(15) into the bottom groove of the nut(14). Tighten the nut onto the valve body from the upside of the lavatory.

Adjust the outlet of side body to connect hose easily. Secure the side bodies by tightening screws(19).

Attach the hoses(8) to the side bodies.

Press the handle kit(11) onto the nut(12) with the valve closed. Position the handle base(13) as shown. Tighten the screw(12) by hex wrench(10). **NOTE:** The handle kit with red mark should be installed on the left side.

The illustration shows the correct position of the handles in the off position.



How to Install the Drain

Remove the stopper(27), flange(21) and washer(23) from the drain body(22). Take off the tailpiece(24). Apply thread tape to the tailpiece and install the tailpiece to drain body. Insert the drain body kit into the lavatory from underside, and make sure the drain lever hole(25) facing to the back of the lavatory. Screw the flange with washer into the drain body. Tighten the locknut(26) by hand from underside of the lavatory.

NOTE: If needed, apply a ring of plumbers putty around the underside of the drain flange(21), instead of using washer(23).

Place the stopper(27) into the drain body aligning the flat side of stopper hole(28) with the drain lever hole.

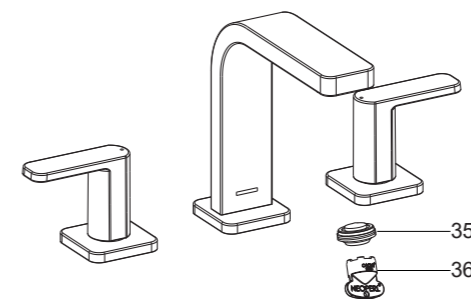
Remove the retaining nut(29). Fit the plastic washer(30) and retaining nut onto the ball lever(31). Insert the ball lever assembly into the drain lever hole and through the stopper hole. Tighten the retaining nut.

Be sure that the ball lever(31) points to the back of the lavatory, tighten the locknut(26) on the drain body by wrench.

NOTE: Do not reposition the drain if plumbers putty applied after the locknut is tightened, or you may break the putty seal. Wipe away excess plumbers putty.

Assemble the thumb screw(34) to the link(33), and link onto the ball lever(31) with "V"-clip(32). Slide the lift rod(1) into the hole in link. Push the ball lever down into the open position, and adjust the lift rod. Tighten the thumb screw(34).

INSTALLATION CHECKOUT



Ensure that all coupling nuts are tight. Ensure that the handles are in the off position. Turn on the main water supply and drain, and check for leaks. Repair as needed.

Remove the aerator kit(35) by tool(36). Run hot and cold water through faucet about one minute to remove any debris. Remove any debris from the aerator. Shut off the faucet. Reinstall the aerator.

CLEANING INSTRUCTIONS

All Finishes: Clean the finish with mild soap and warm water. Wipe entire surface completely dry with clean soft cloth. Many cleaners may contain chemicals, such as ammonia, chlorine, toilet cleaner etc, which could adversely affect the finish and are not recommended for cleaning.

Do not use abrasive cleaners or solvents on Kohler faucets and fittings.