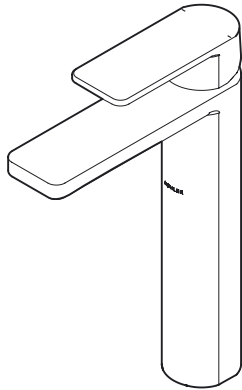
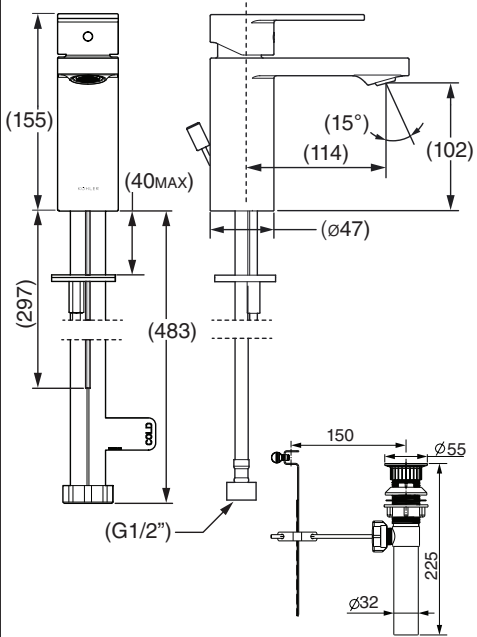


**23472IN-4/4ND-\*\***  
SC LAV W & W/O  
DRAIN

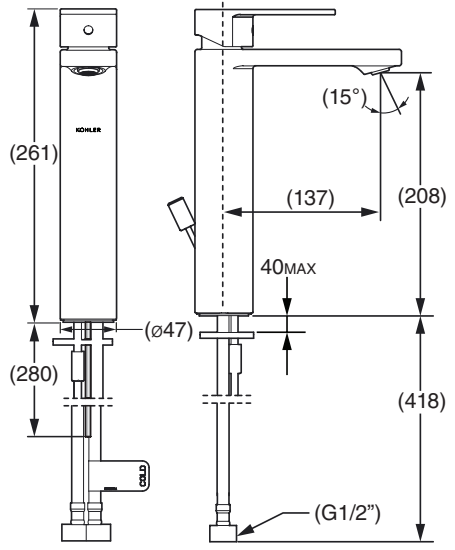


**23475IN-4/4ND-\*\***  
SC TALL LAV W &  
W/O DRAIN

**ROUGH-IN DIMENSIONS (in mm)**



**23472IN-4/4ND-\*\***



**23475IN-4/4ND-\*\***

# PRESSURE & HOT INLET TEMPERATURE



P (Bar) 0.5 < 3 < 5.5



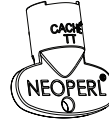
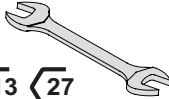
T (°C) < 65



## TOOLS REQUIRED

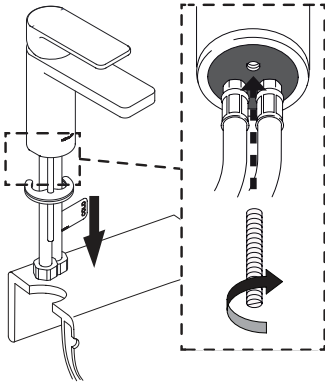


13 27

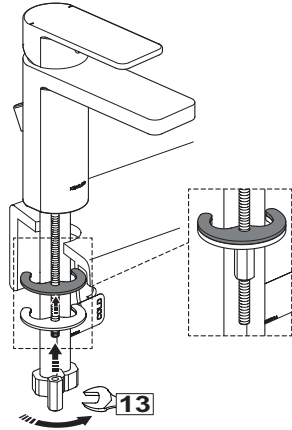


## INSTALLATION INSTRUCTIONS

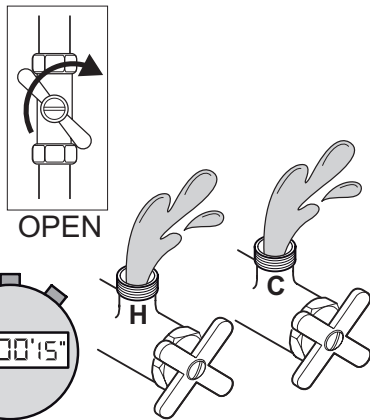
1



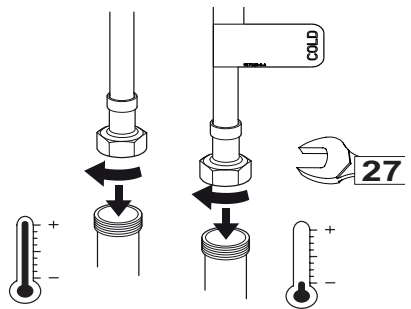
2

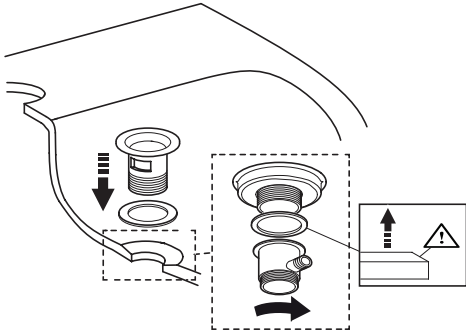
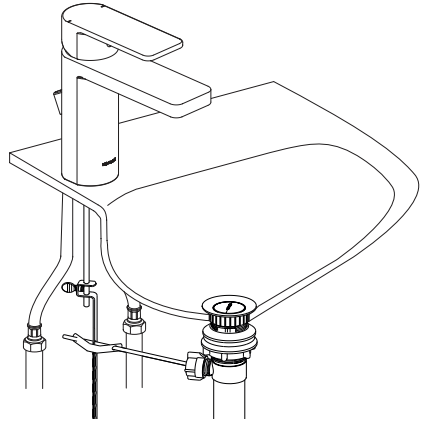


3



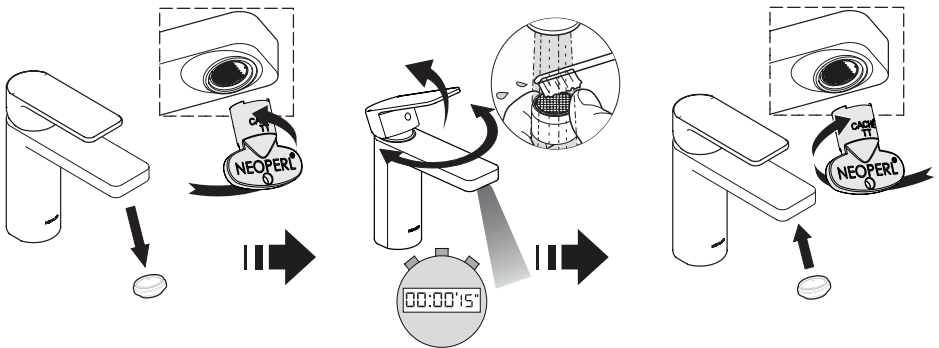
4



**5****Drain Installation\*.****6**

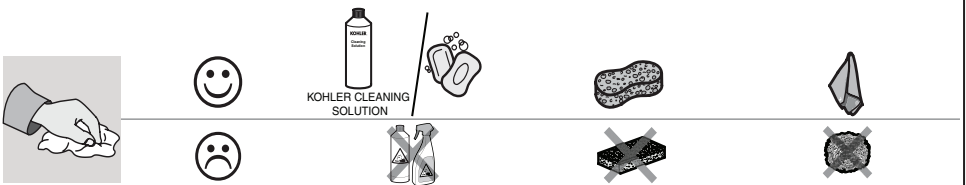
\* Drain installation applicable for drain faucet only.

## AERATOR CLEANING AND SERVICING

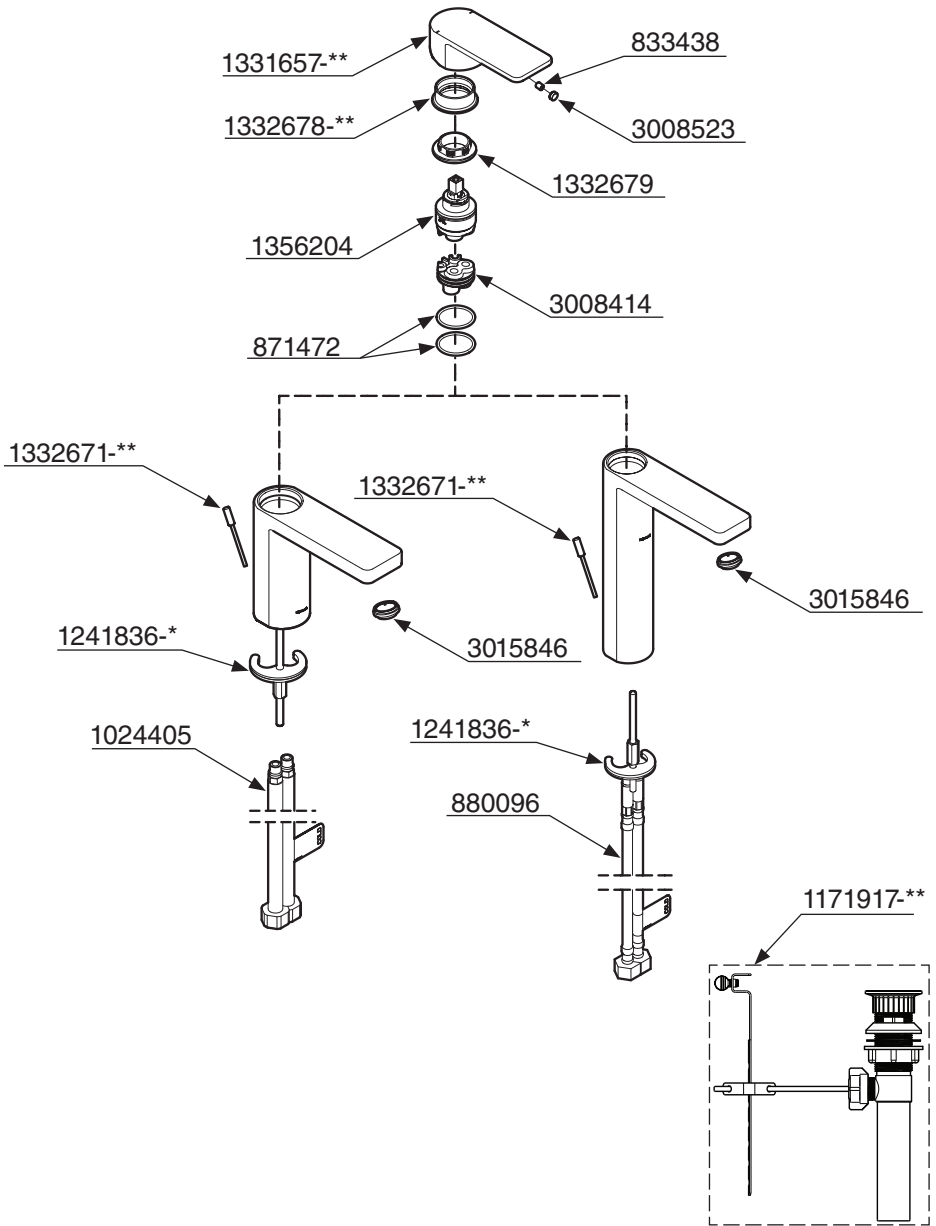


Ensure there is no leakage from the sides of aerator after tightening.

## CLEANING INSTRUCTIONS



# SERVICE PARTS



**Note:-** Drain (1171917-\*\*) & Lift Rod (1333671-\*\*) requires in both SKU' s with drain only.  
 \*\*-Finish code must be specified when ordering.