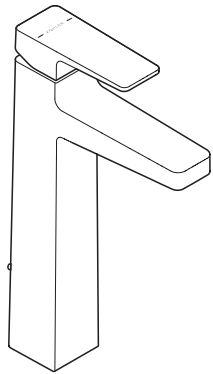
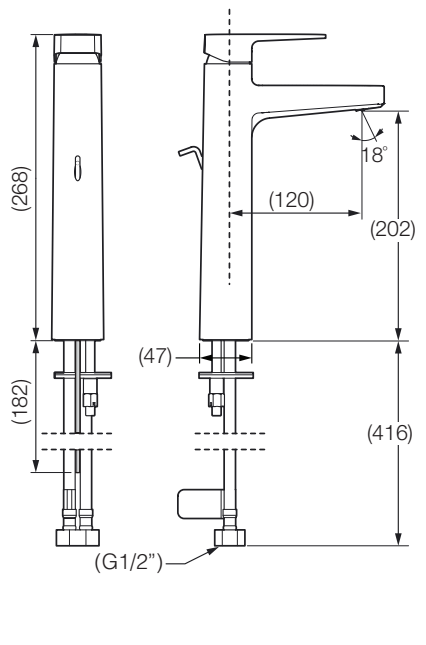
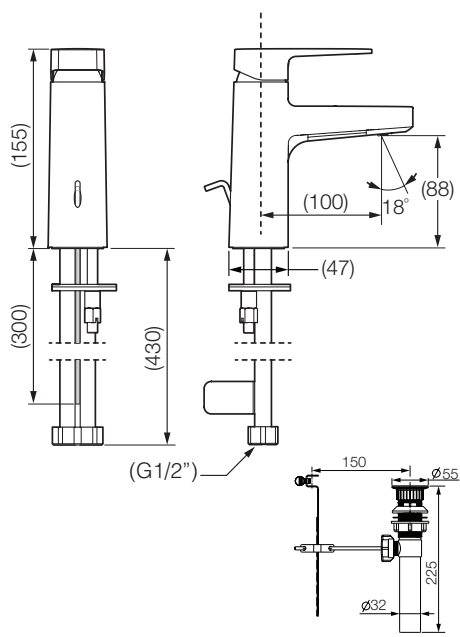


**22534IN-4/4ND-\*\***  
SC LAV W & W/O  
DRAIN



**22535IN-4/4ND-\*\***  
SC TALL LAV W &  
W/O DRAIN

**ROUGH-IN DIMENSIONS (in mm)**



# PRESSURE & HOT INLET TEMPERATURE



P (Bar) 0.5 < 3 < 5.5



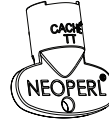
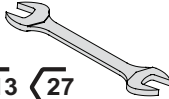
T (°C) < 65



## TOOLS REQUIRED

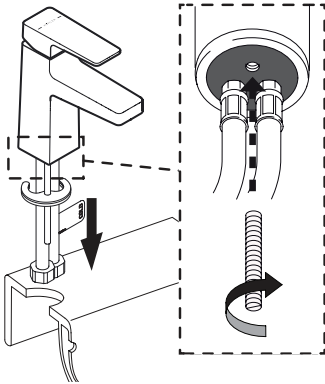


13 27

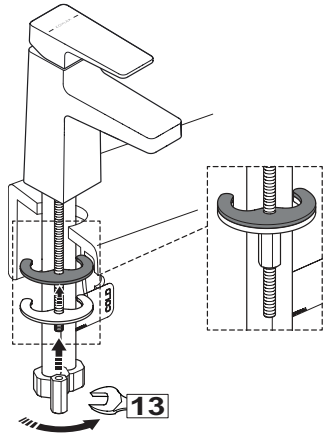


## INSTALLATION INSTRUCTIONS

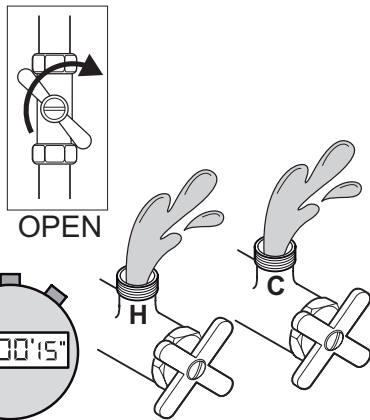
1



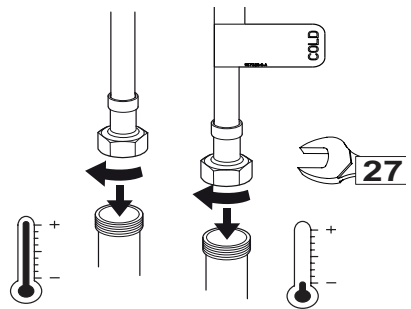
2

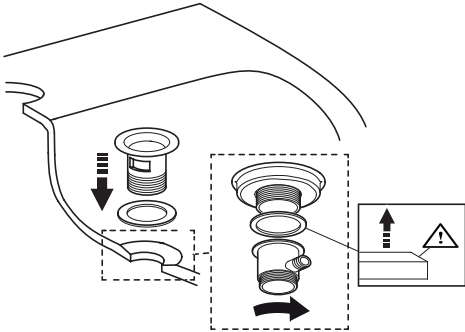
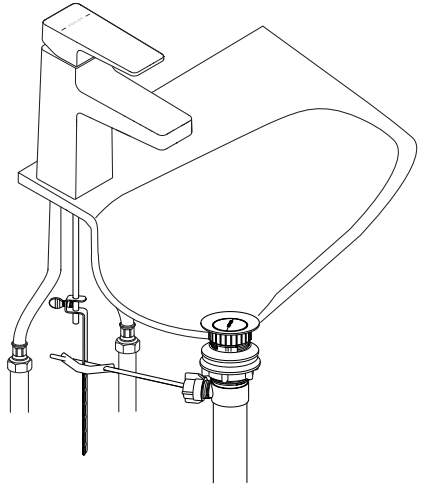


3



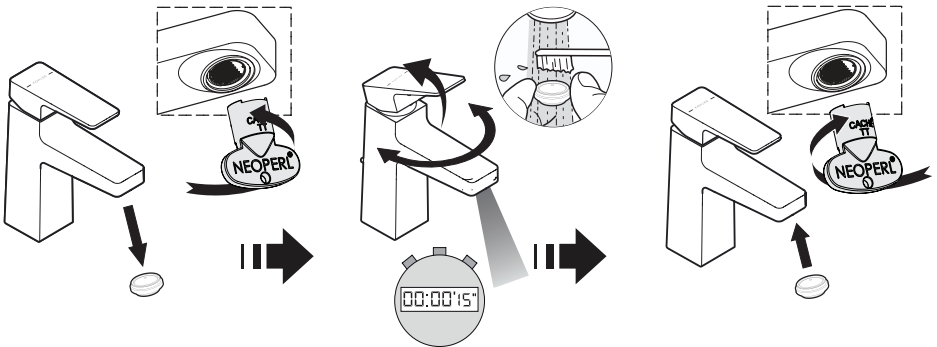
4



**5****Drain Installation\*.****6**

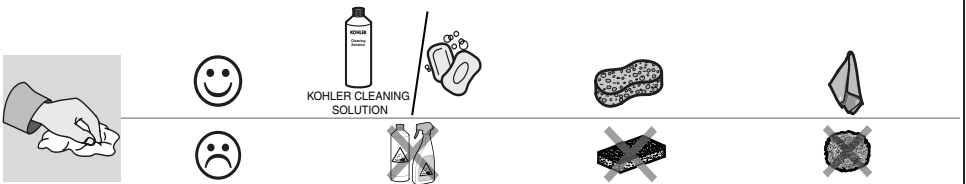
\* Drain installation applicable for drain faucet only.

## AERATOR CLEANING AND SERVICING

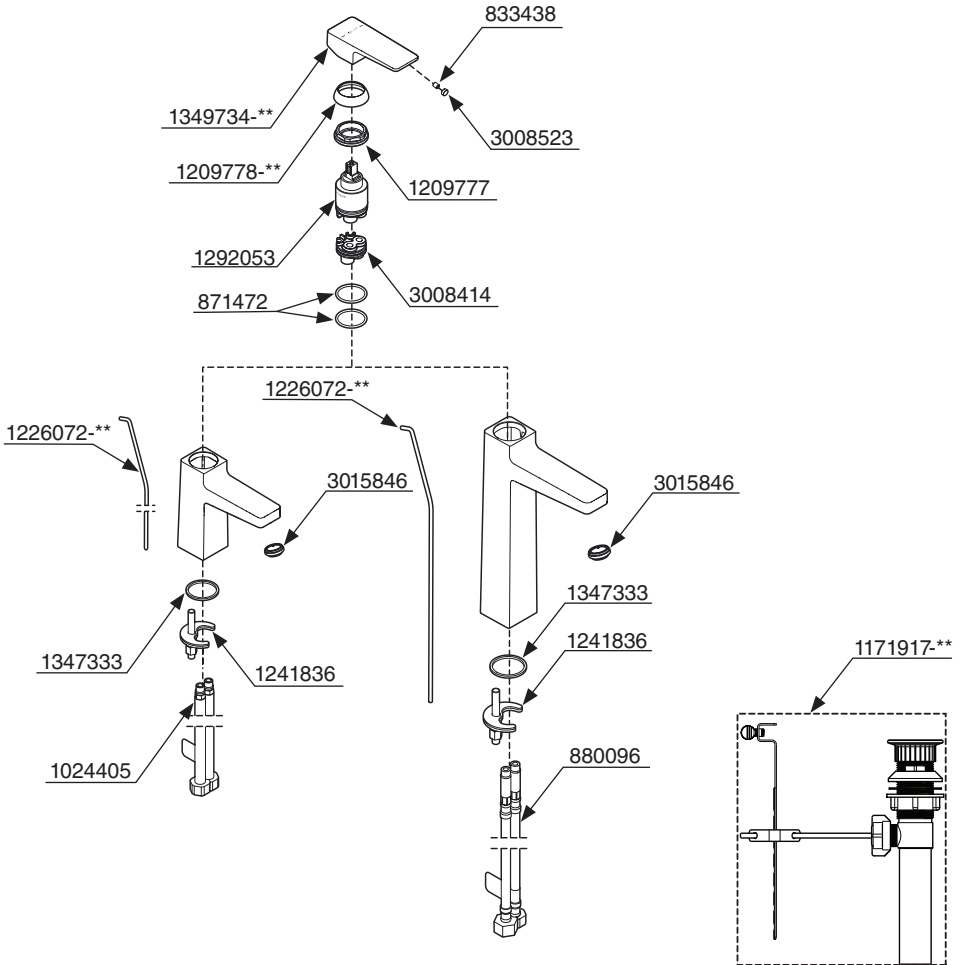


Ensure there is no leakage from the sides of aerator after tightening.

## CLEANING INSTRUCTIONS



## SERVICE PARTS



**Note:-** Drain (1171917-\*\*) & Lift Rod (1226072-\*\*) requires in both SKU's with drain only.

\*\*-Finish code must be specified when ordering.

THE BOLD LOOK  
OF **KOHLER**®

### Kohler India Corporation Pvt. Ltd.

6th Floor, Office Tower, Ambience Island,  
NH-8, Gurugram-122002, Haryana, INDIA.  
Customer Care : 1800 103 2244 (Toll Free) &  
+91-124-4319685 / 86

Email : [indiacustomer care@kohler.co.in](mailto:indiacustomer care@kohler.co.in)  
Website: [www.kohler.co.in](http://www.kohler.co.in)

All information is based on the latest product information available at the time of publication. Kohler Co. reserves the right to make changes in product characteristics, packaging or availability at any time without notice.