

8785T 缸边(台面)式浴缸花洒龙头

安装之前

BEFORE YOU BEGIN

所有的资料是按最新出版的产品资料编写而成。科勒公司保留任何时候不经通知即可改变产品特性、包装或产品可供类型的权利。

All information is based on the latest product information available at the time of publication. Kohler Co. reserves the right to make changes in product characteristics, packaging, or availability at any time without notice.

说明书包括重要的安装、保养及清洁方面的内容，请把这些资料交给用户阅读。

Please leave these instructions for the consumer. They contain important information.

注意事项:

NOTES:

1. 一定要先彻底冲洗供水管以清除管道中的杂质。
2. 切换器正常工作的最小压力为0.05MPa(0.5bar)。
3. 花洒最高工作压力: 0.5MPa(5bar)。水压超过0.5MPa(5bar)须安装减压阀。花洒最高工作温度及环境温度: 60°C。请特别注意花洒同花洒连接的臂管须远离浴霸, 否则可能损坏花洒及其密封件, 甚至对使用者造成伤害。

1. Flush the water supply pipes thoroughly to remove debris.
2. The minimum inlet water pressure for the diverter is 0.05MPa(0.5bar).
3. The highest working pressure for handspray is 0.5MPa(5 bar). If it exceeds 0.5MPa(5 bar), a pressure reducer is needed. The highest water and environment temperature is 60°C. Please keep handspray, shower head and the shower arm away from heater, or it may become damaged and cause injury to the user.

使用说明

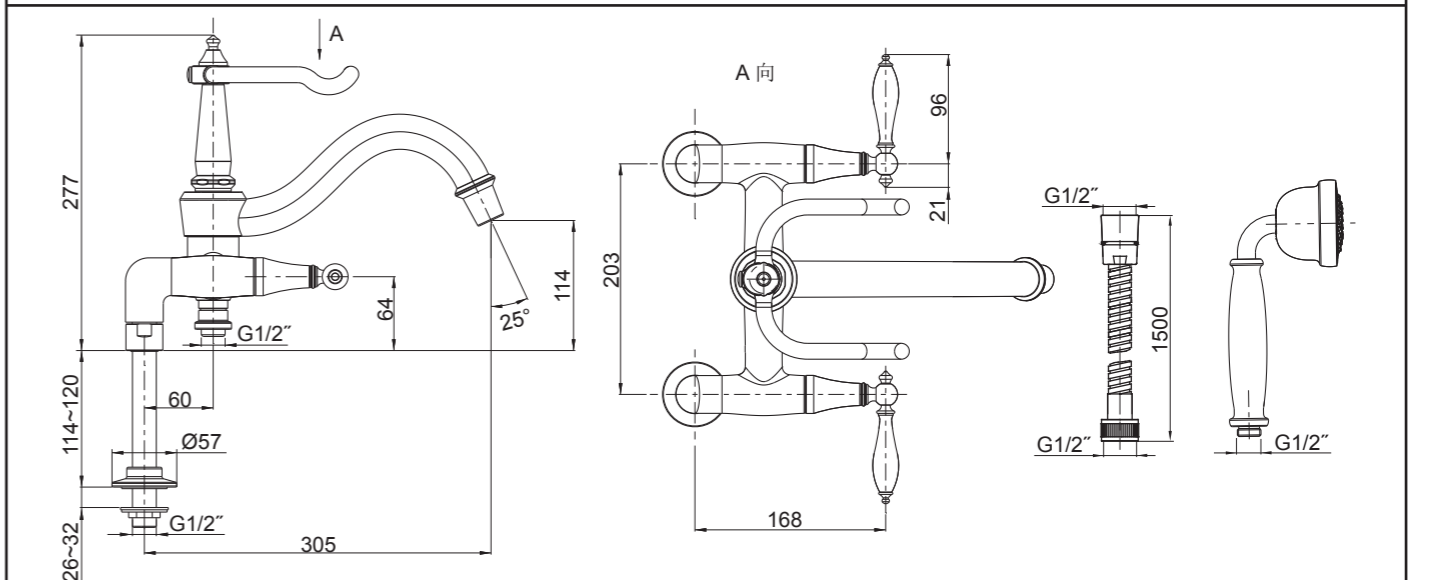
HANDLE OPERATION

逆时针旋转右把手为开, 顺时针旋转左把手为开。

Right handle opens with one-quarter turn counter-clockwise. Left handle opens with one-quarter turn clockwise.

安装尺寸

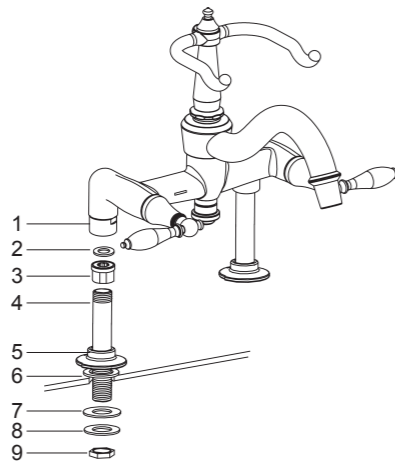
ROUGH-IN DIMENSIONS



安装步骤

如何安装水龙头

在进水接管(4)螺纹上涂螺纹密封膏或缠绕密封胶带, 将接头(3)装到进水接管上。将垫片(2)放入连接螺母(1), 用带状扳手将进水接管锁紧到龙头上。



将装饰盖(5)旋入进水接管, 将垫片(6)装入装饰盖的沟槽中。然后将龙头装入浴缸安装孔中, 从下方安装橡胶垫片(7), 金属垫片(8)、螺母(9)。调整装饰盖, 使龙头处于水平状态。锁紧螺母。

INSTALLATION

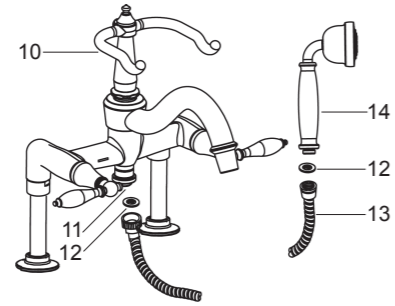
How To Install The Faucet

Apply appropriate thread sealants or tape on the thread of supply tubes(4). Thread the connectors(3) onto supply tubes. Put washers(2) into nuts(1). Thread the tubes to the nuts and tighten by strap wrench.

Thread the flanges(5) onto the tubes. Put washers(6) into the grooves of flanges, and then install faucet into the holes of bath tub. Install rubber washers(7), metal washers(8), nuts(9) onto the tubes from the underside of the bath tub. Level the faucet by flanges adjusting. Tighten the nuts.

如何安装花洒

取下切换器接头保护套。用软管(13)和垫片(12)连接出水口(11)与花洒(14)。



将花洒放到托架(10)上。

How To Install The Handspray

Remove the guard on the outlet connector of the diverter. Connect hose(13) to the faucet outlet(11) and the handspray(14) with washers(12).

Put the handspray on cradle(10).

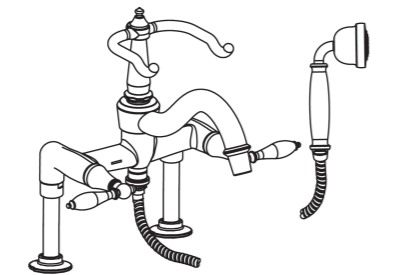
安装结果检查

确保所有连接处都已拧紧。

确保手柄在“关”的位置。

打开排水系统和主供水源, 检查渗漏并修理有漏水的接口。

取下花洒。打开冷热水阀, 使水流过出水口, 除掉杂物。检查渗漏。关闭阀芯, 重新装回花洒。



INSTALLATION CHECKOUT

Ensure that all connections are tight.

Ensure that the handles are in the off position.

Turn on the main supply and check for leaks.

Remove the handspray. Run hot and cold water through the faucet for about one minute to remove any debris. Check for leaks. Shut the faucet off, and reinstall the handspray.

清洗说明

适用于所有加工处理过的表面: 以中性肥皂水清洗镀层表面, 再以干净的软布彻底擦干整个表面, 许多清洁剂, 比如氨水、去污粉及洁厕灵等, 会对电镀表面造成伤害, 切忌使用。

有磨损性的清洁用具或清洁剂也不可适用于科勒牌的水龙头及其配件上。

CLEANING INSTRUCTIONS

All Finishes: Clean the finish with mild soap and warm water. Wipe entire surface completely dry with clean soft cloth. Many cleaners may contain chemicals, such as ammonia, chlorine, toilet cleaner etc, which could adversely affect the finish and are not recommended for cleaning.

Do not use abrasive cleaners or solvents on Kohler faucets and fittings.

KOHLER®

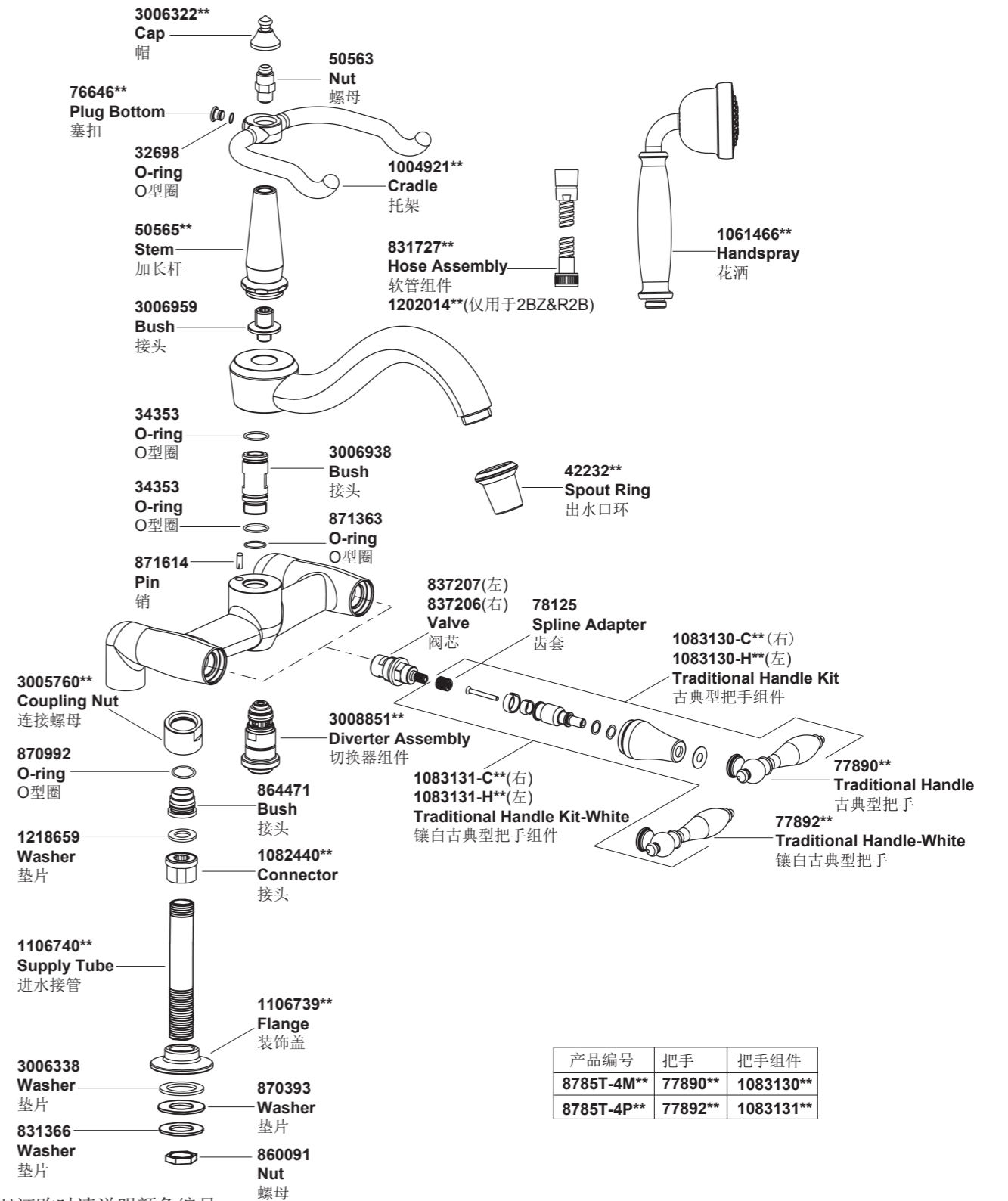
SERVICE PARTS

零件图

芬尼奧
FINIAL

Deck-Mount Bath & Shower Faucet

8785T 缸边(台面)式浴缸花洒龙头



产品编号	把手	把手组件
8785T-4M**	77890**	1083130**
8785T-4P**	77892**	1083131**

**订购时请说明颜色编号

**Color code must be specified when ordering