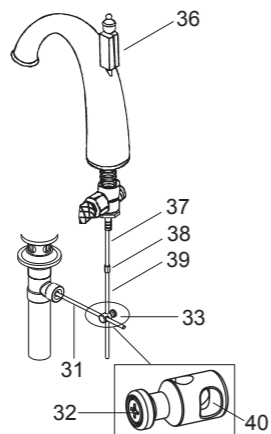


方式一：选用连接头(33)

把提拉杆组件(37)与拉杆(39)用连接螺母(38)锁紧。将连接头大孔(40)套到球杆(31)上，提拉杆下部插入连接头小孔中。调整提拉杆的高度，使限位器(36)的底部正好在水龙头的本体上。将球杆(31)下推到排水器全开位置。锁紧连接头上的螺钉(32)。去除限位器。

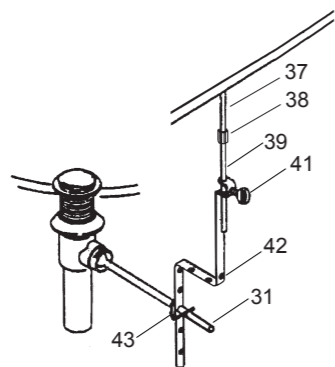


Way 1: Select the latch(33)

Connect the lift rod(39) and the lift rod assembly(37) by the nut(38). Insert the ball lever rod(31) into the bigger hole (40) of the latch. Insert the lift rod into the other hole of latch. Position the lift rod so the bottom of the spacer(36) rests against the faucet body. Push the ball lever rod(31) down to the open position. Tighten the screw(32) on the latch. Remove and discard the spacer.

方式二：选用联动组件(41, 42 & 43)

根据实际情况，折弯联杆(42)并决定是否用连接螺母(38)将提拉杆(39)连接到提拉杆组件(37)上。用V形夹(43)将联杆连接到球杆组件上，将提拉杆插入到联杆的孔中，调整提拉杆的高度，使限位器的底部正好在水龙头的本体上。将球杆(31)下推到排水器全开的位置。拧紧手捻螺丝(41)。



Way 2: Select the link kit(41, 42 & 43).

According to the actual situation, bend the link(42) and decide whether connect the lift rod(37) and the lift rod assembly (39) by the nut(38) or not. Connect the link onto ball lever rod with 'V' clip(43). Slide lift rod into the hole on link. Position the lift rod so the bottom of the spacer rests against the faucet body. Push the ball lever rod(31) down to the open position. Tighten thumb screw(41).

把尾管接上存水弯，尾管须插入存水弯25mm到50mm。

Connect the tailpiece to the trap. The tailpiece should extend 25mm to 50mm into the trap.

安装结果检查

INSTALLATION CHECKOUT

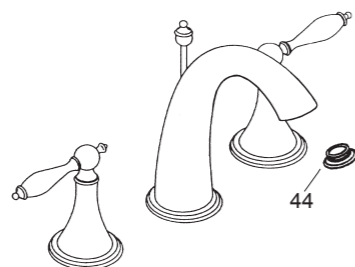
确保已拧紧所有连接处。

Ensure that all connections are tight.

打开落水头。打开主供水源，检查泄漏。

Open the drain. Turn on the main supply and check for leaks.

取下起泡器(44)。打开冷热水阀，使水流过出水口，除掉杂物，关闭阀。重新安装起泡器。



Remove the aerator(44). Open both hot and cold valves and run water through the spout to remove any debris. Turn the valve off. Reinstall the aerator.

清洗说明

CLEANING INSTRUCTIONS

适用于所有加工处理过的表面：以中性肥皂水清洗镀层表面，再以干净的软布彻底擦干整个表面，许多清洁剂，比如氨水、去污粉及洁厕灵等，会对电镀表面造成伤害，切忌使用。

All Finishes: Clean the finish with mild soap and warm water. Wipe entire surface completely dry with clean soft cloth. Many cleaners may contain chemicals, such as ammonia, chlorine, toilet cleaner etc, which could adversely affect the finish and are not recommended for cleaning.

有磨损性的清洁用具或清洁剂也不可适用于科勒牌的水龙头及其配件上。

Do not use abrasive cleaners or solvents on Kohler faucets and fittings.

**KOHLER®**  
**INSTALLATION INSTRUCTIONS**  
**安装说明书**



**Widespread Lavatory Faucet**

**8670T 8" 脸盆龙头**

**安装之前**

**BEFORE YOU BEGIN**

所有的资料是按最新出版的产品资料编写而成。科勒公司保留任何时候不经通知即可改变产品特性、包装或产品可供类型的权利。

All information is based on the latest product information available at the time of publication. Kohler Co. reserves the right to make changes in product characteristics, packaging, or availability at any time without notice. Please leave these instructions for the consumer. They contain important information.

说明书包括重要的安装、保养及清洁方面的内容，请把这些资料交给用户阅读。

- NOTES:**
1. Shut off the water supplies to the fitting.
  2. Inspect the supply tubing for damage. Replace as necessary.
  3. Observe local plumbing codes.
  4. If possible, install this faucet before installing the lavatory.

- 注意事项:**
1. 切断供水管路。
  2. 检查供水管有无损坏。如需要，进行替换。
  3. 遵守所有当地管路安装条例。
  4. 尽可能在安装脸盆之前安装水龙头。

**使用说明**

**HANDLE OPERATION**

8670T-4M/4P，逆时针旋转左把手为开，顺时针旋转右把手为开。

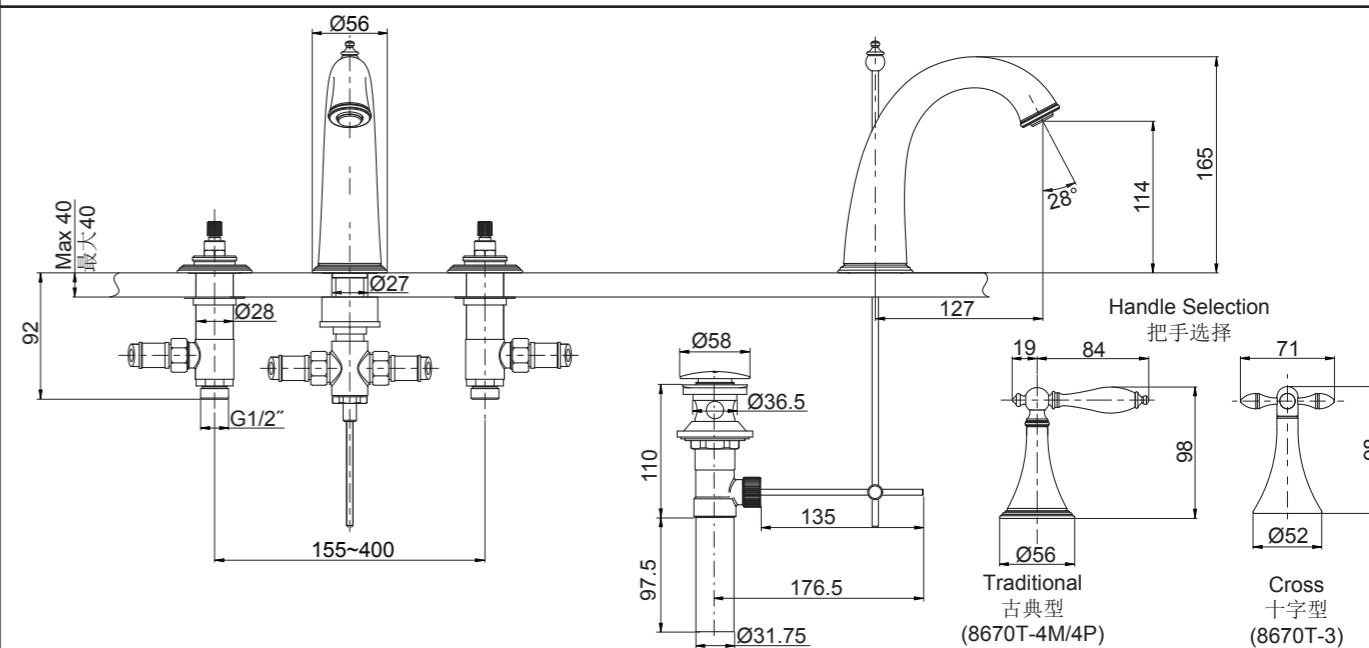
For 8670T-4M/4P, left handle opens with one-quarter turn counter-clockwise. Right handle opens with one-quarter turn clockwise.

8670T-3，顺时针旋转左把手为开，逆时针旋转右把手为开。

For 8670T-3, left handle opens with one-quarter turn clockwise. Right handle opens with one-quarter turn counter-clockwise.

**安装尺寸**

**ROUGH-IN DIMENSIONS**



## 安装步骤

## INSTALLATION

### 如何安装出水口

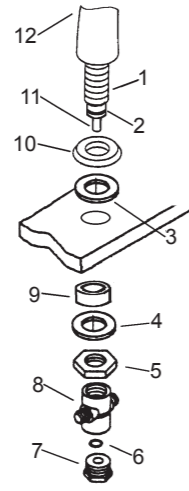
从出水口组件上依次取下螺母(7)、O型圈(6)、T形接头(8)、螺母(5)、垫片(4)和管状垫片(9)。

在出水口牙管(1)上套上装饰环(10)和垫片(3)，然后将出水口(12)装于脸盆的中孔。

安装管状垫片(9，仅用于薄壁脸盆)、垫片(4)和螺母(5)，用扳手拧紧螺母(5)。

将T形接头旋到出水口牙管上，用手旋紧。

将O形圈装到套管上，将螺母(7)穿过套管，与T形接头旋紧。



### How To Install The Spout

Remove and retain the parts according to the following order: nut(7), o-ring(6), supply tee(8), nut(5), washer(4) and tube washer(9).

Install the escutcheon(10) and washer(3) to the shank(1) of the spout, then fit the spout(12) to the center hole of lavatory.

Install the tube washer(9, it is only used with thin-wall lavatory units), washer(4) and nut(5), and securely tighten nut(5).

Thread supply tee to the spout shank until hand tight.

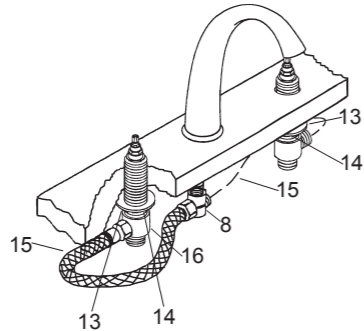
Slip o-ring over the tube, and tighten nut(7) to the supply tee.

### 如何安装阀体

在每一个阀体(16)上装上螺母(14)和垫片(13)。

如图所示，将阀体与T形接头用软管(15)连接。

**注意：**将阀体定位，使得面向龙头时，贴有蓝色标记的阀体位于右面。为了安装方便，可以适当旋松T形接头，但不要超过180度。安装必须保证软管水流顺畅。软管(15)只能用于此处。



从脸盆的底部将阀体穿过安装孔。

### How To Install The Valve Bodies

Thread nut(14), and followed by a washer(13), onto each side body(16).

Connect the side bodies and center tee with hoses(15) as in the drawing.

**NOTE:** Install valve body with blue mark on the right when facing the front of the faucet. For easy installation, loosen the supply tee properly by unscrewing it, but not more than 180 degrees. Ensure that the water inside the hoses flow smoothly. The hoses(15) should be only used here.

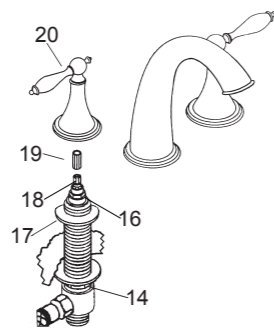
Insert side bodies through mounting holes from bottom of the lavatory.

### 如何安装把手

将垫片(17)套在阀体上，齿套(19)套在阀轴(18)上。

将把手组件及装饰盖(20)旋到阀体上。用扳手将螺母(14)锁紧(注：如果选择波浪型把手则无装饰盖)。

把手安装完毕处于关闭状态的位置，如图所示。



### How To Install The Handles

Slip the washer(17) over the side body. Press the spline adapter(19) onto the valve stem(18).

Thread the assembled handle and escutcheon(20) to the side body. Wrench tighten nut(14). (**NOTE:** If scroll handles are chosen, escutcheon will not be used).

The configuration shown is the correct position of the handles in the closed position.

### 如何安装排水器

将止水塞(21)、法兰盘(23)及垫片(24)从排水本体(28)取下，在法兰盘底面套上垫片。尾管(30)从排水本体上取下。在尾管螺纹处须缠绕足以密封的密封胶或涂合适的密封胶，装回排水本体。把带垫圈(25)、钢垫(26)及锁紧螺母(27)的排水本体由脸盆孔下部插入，排水杆洞口(29)朝后方。

**注意：**如果需要可直接在法兰盘底面沿周围涂一圈密封油灰，而不使用垫片(24)。

把法兰盘旋入排水本体中。从下方用手拧紧锁紧螺母。把止水塞放入排水本体中，调整以使止水塞末端的孔(22)靠近并对正排水杆洞口。

松开接头(33)的螺钉(32)，取下接头。将固定螺母(35)取下，把塑料垫片(34)及固定螺母装在球杆(31)上，将球杆组件插入排水杆洞口(29)并穿过止水塞，拧紧固定螺母。

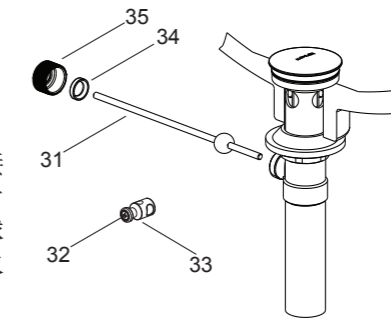
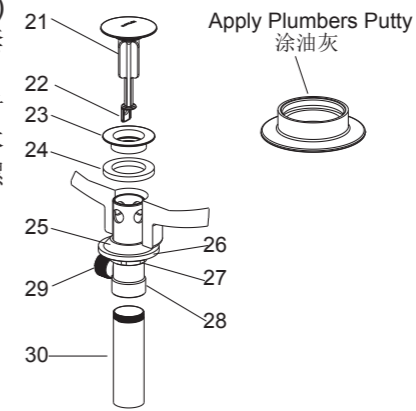
确保球杆指向脸盆后方，并拧紧排水本体上的锁紧螺母。

**注意：**在锁紧螺母转紧后，不可调整排水本体的位置，否则会破坏油灰密封。去除多余的油灰。

### 如何安装提拉杆组件

把限位器(36)套在提拉杆(37)上，使其与提拉杆头接触，将提拉杆组件插入出水口后侧孔。

根据所选脸盆尺寸，选择排水器与水龙头提拉杆的连接方式。



### How To Install The Drain

Uninstall the stopper(21), drain flange(23) and washer(24) from drain body(28). Slide washer onto the underside of the drain flange. Uninstall the tailpiece(30) from the drain body. Supply enough tape or sealant to tailpiece thread. Reinstall the tailpiece. Insert the drain body with gasket(25), steel washer(26) and locknut(27) into the lavatory from underside, with the drain lever hole(29) facing the rear.

**NOTE:** If necessary, apply a ring of plumbers putty around the underside of the drain flange, instead of using washer(24).

Thread the drain flange onto the drain body. Handtighten the locknut from the underside of the lavatory. Place stopper into drain body, aligning the flat side of stopper hole(22) with the drain lever hole.

Loosen the screw(32) on the latch(33), take off the latch. Remove the retaining nut(35). Fit the plastic washer(34) and retaining nut onto the ball lever rod(31). Insert the ball lever assembly into the drain lever hole(29) and through the stopper hole. Tighten the retaining nut.

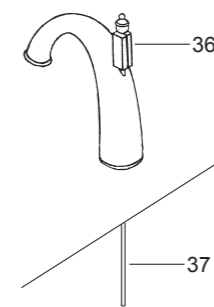
Be sure that the ball lever rod points to the back of the lavatory, tighten the locknut.

**NOTE:** Do not reposition the drain after the locknut is tightened, or you may break the putty seal. Remove any excess putty.

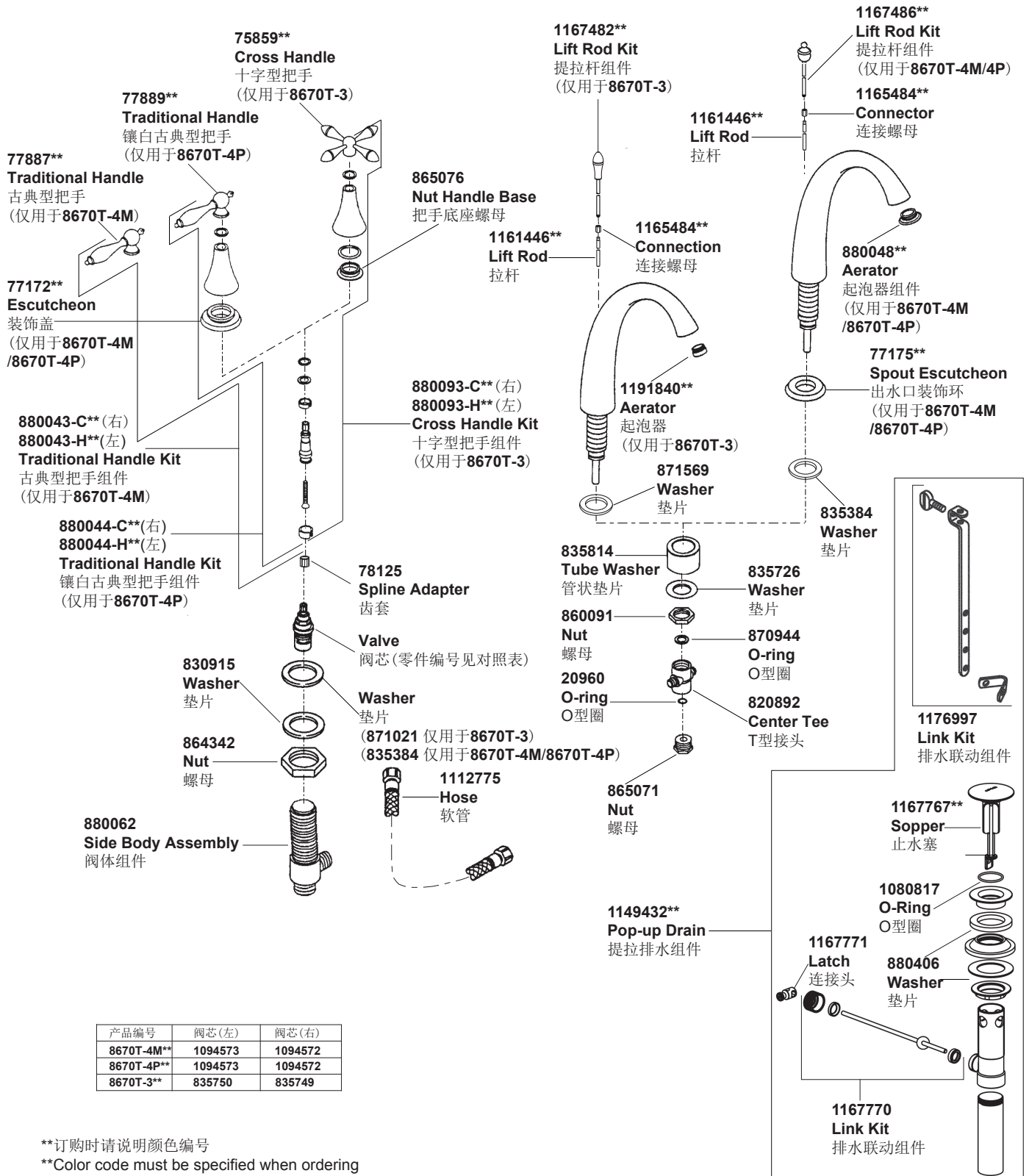
### How To Install The Lift Rod Kit

With the spacer(36) in place, insert the lift rod assembly(37) into the rear hole of spout.

Select the connection of the drain and the lift rod according the dimension of lavatory.



### 8670T 8" 脸盆龙头



产品编号	阀芯(左)	阀芯(右)
8670T-4M**	1094573	1094572
8670T-4P**	1094573	1094572
8670T-3**	835750	835749

\*\*订购时请说明颜色编号

\*\*Color code must be specified when ordering