

**Components**

Tall Single-Handle Bathroom Sink Faucet  
**K-77959T-4AE2-CP**

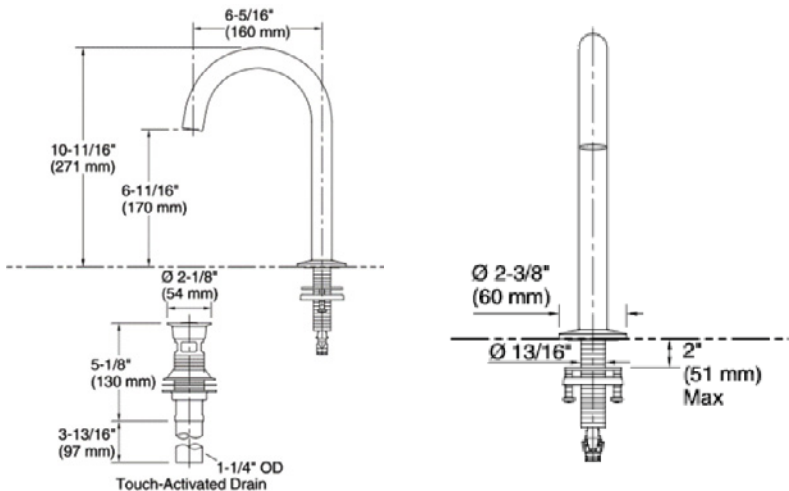


**Description**

Modern form meets modern function: the KOHLER Components collection is defined by controlled forms and stark precision in every line and angle. With Components, you design your custom bath. This single-hole bathroom sink faucet features a slim, elegant pin lever handle that is easy to grasp and control with one hand.

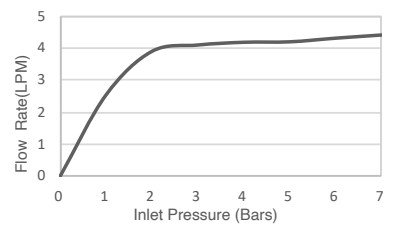
<b>Model</b>	<b>K-77959T-4AE2-CP</b>	<b>K-77959T-4A-2MB</b>
<b>Finish</b>	Polished Chrome (CP)	Vibrant Brushed Moderne Brass (2MB)
<b>Flow rate</b>	4 lpm at 4.1 bars	7.2 lpm at 4.1 bars
<b>Connection Type</b>	G 1/2 "	
<b>Drain</b>	Metal pop-up drain (included)	
<b>Installation type</b>	Tall Single hole (deck mount or counter mount)	
<b>Dimensions</b>	Reach 178 mm, Height to 286 mm	
<b>Features</b>	<ul style="list-style-type: none"> <li>- Anti-scale aerator</li> <li>- Ceramic disc cartridge</li> <li>- Complies with SASO – WEL for CP</li> </ul>	

**Technical drawing**



**K-77959-4A-BL  
 K-77959T-4AE2-CP**

Flow Curve



**K-77959T-4A-2MB**

Flow Curve

