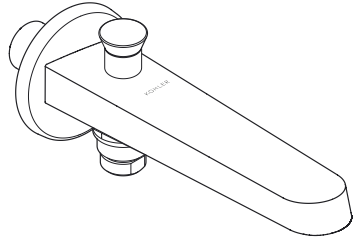
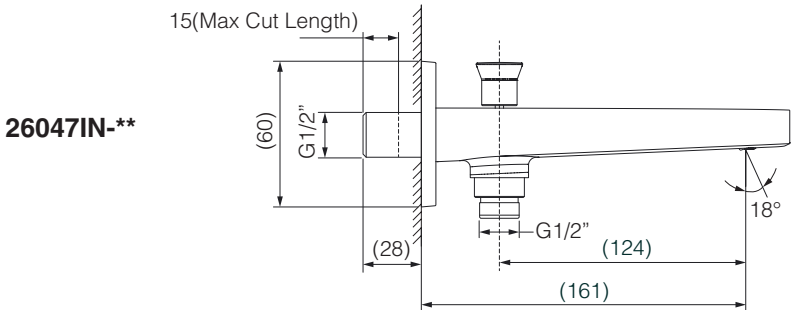
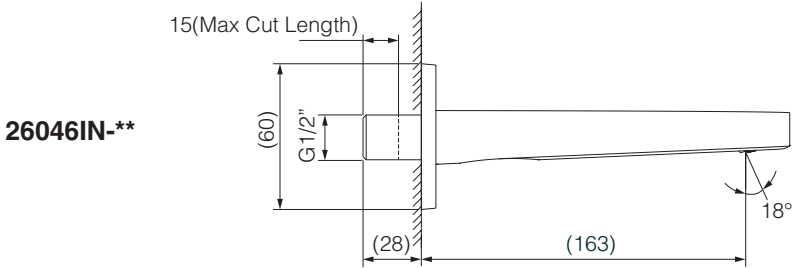


**26046IN-\*\***  
BATH SPOUT  
W/O DIVERTER



**26047IN-\*\***  
BATH SPOUT  
WITH DIVERTER

**ROUGH-IN DIMENSIONS (in mm)**



## PRESSURE & HOT INLET TEMPERATURE



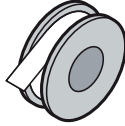
P (Bar) 0.5 < 3 < 5.5



T (°C) < 65

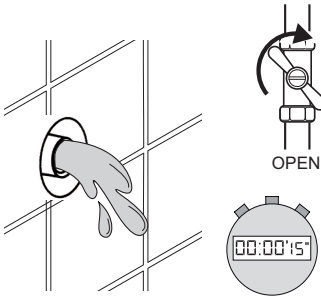


## TOOLS REQUIRED

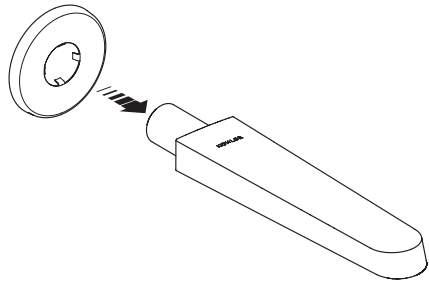


## INSTALLATION INSTRUCTIONS

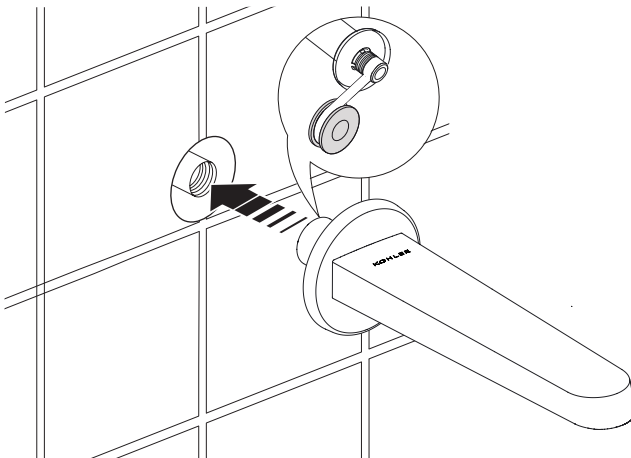
1



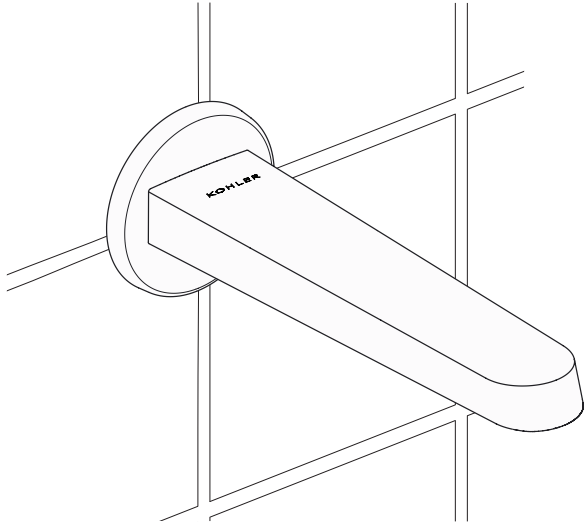
2



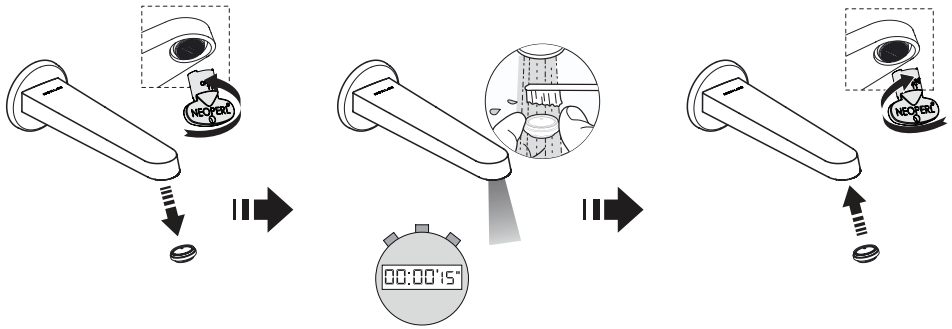
3



5



### AERATOR CLEANING AND SERVICING

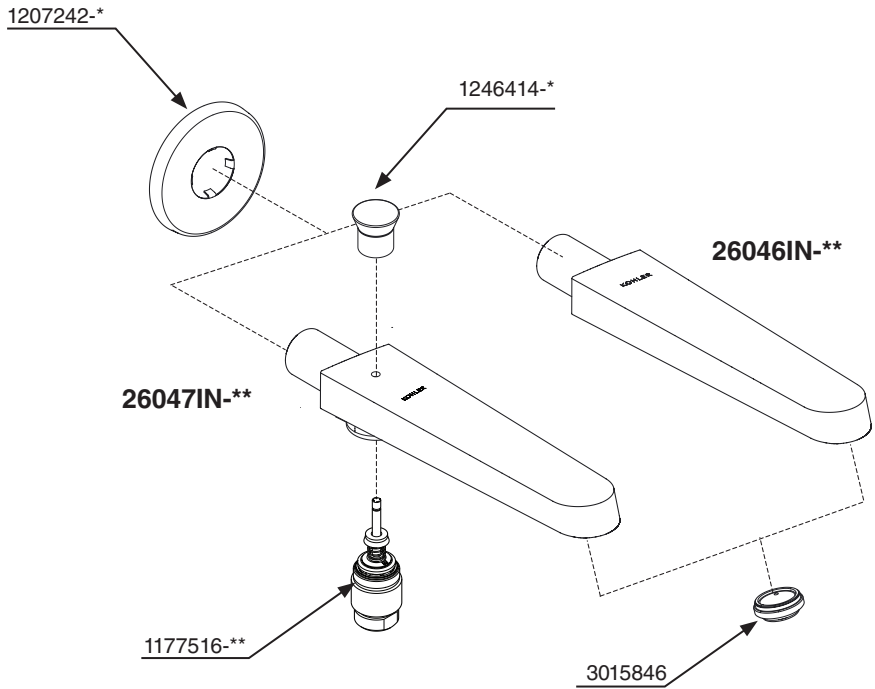


Ensure there is no leakage from the sides of aerator after tightening.

### CLEANING INSTRUCTIONS



**SERVICE PARTS**



\*\*Finish code must be specified when ordering.