

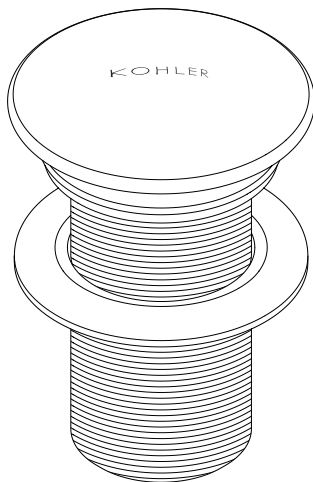
KOHLER®

PRODUCT SPECIFICATION/
INSTALLATION INSTRUCTIONS

CERAMIC DRAIN

W/O OVERFLOW

24740IN-**



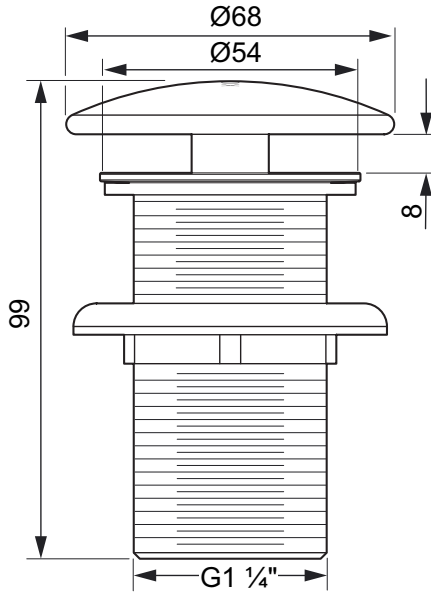
All PRODUCT FEATURES:

- Vitreous China Top (Replaceable).
- Full Brass Construction.
- Without Overflow.
- Full Thread (G1 ¼) .
- Easy Installation & Maintenance.

GENERAL DESCRIPTION:

Cast brass body for long life, Durable with ceramic top. Tested for different weather condition. Modular design for easy cleanability with drainage capacity of more than 27L/min.

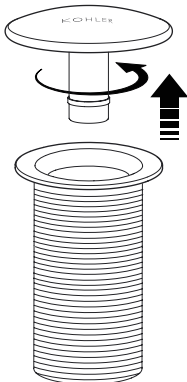
ROUGH-IN DIMENSIONS



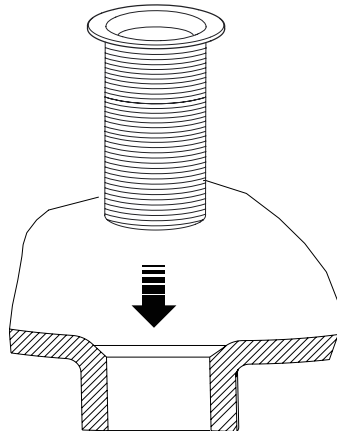
*All dimensions are in mm
(only for reference)

INSTALLATION INSTRUCTIONS

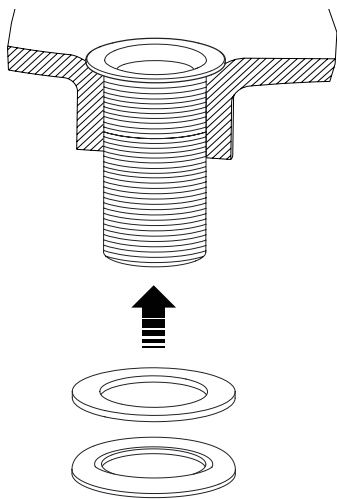
- 1 Open top head assembly before starting installation.



- 2 Insert the drain body in lavatory drain.

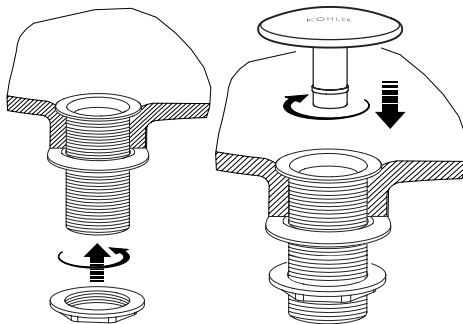


- 3** Insert the washer and grommet into the under side of lavatory on drain body.



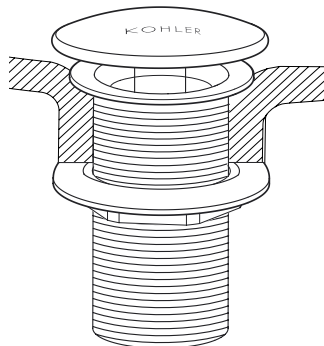
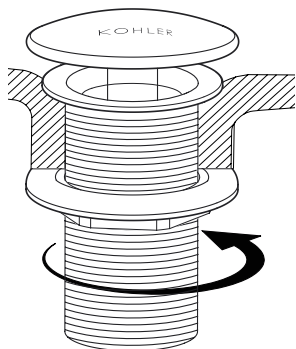
4

- a.** Do not tighten base nut fully.
- b.** First Align top head assembly.

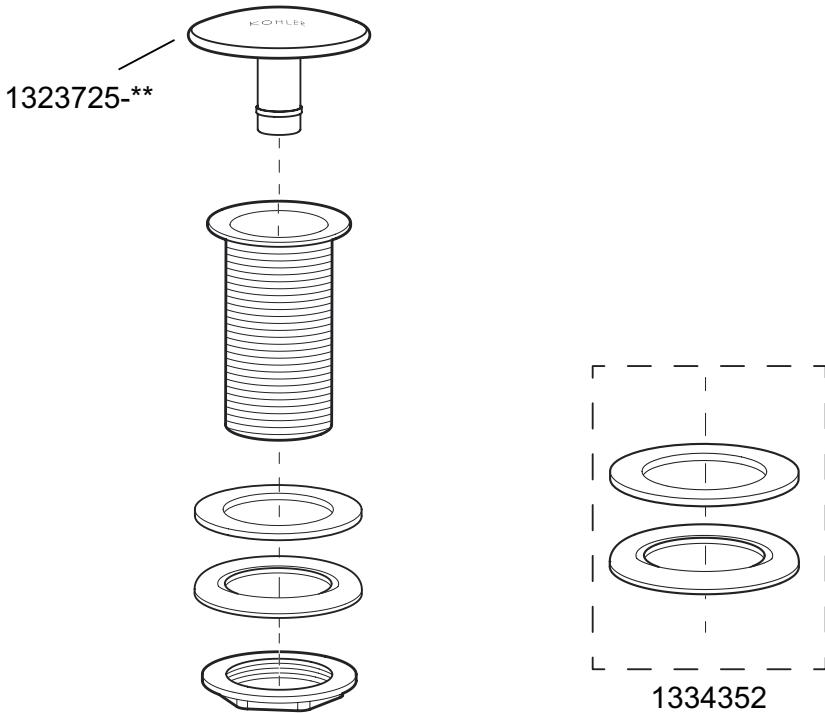


5

- a.** Ensure the KOHLER logo is towards the user.
- b.** Now tighten base nut completely with suitable wrench.



SERVICEABLE PARTS



** - Color code must be specified when ordering.

THE BOLD LOOK
OF **KOHLER**®

Kohler India Corporation Pvt. Ltd.

6th Floor, Office Tower, Ambience Island,
NH-8, Gurugram-122002, Haryana, INDIA.

Customer Care : 1800 103 2244 (Toll Free) &
+91-124-4319685 / 86

Email : indiacustomer care@kohler.co.in

Website: www.kohler.co.in

All information is based on the latest product information available at the time of publication. Kohler Co. reserves the right to make changes in product characteristics, packaging or availability at any time without notice.