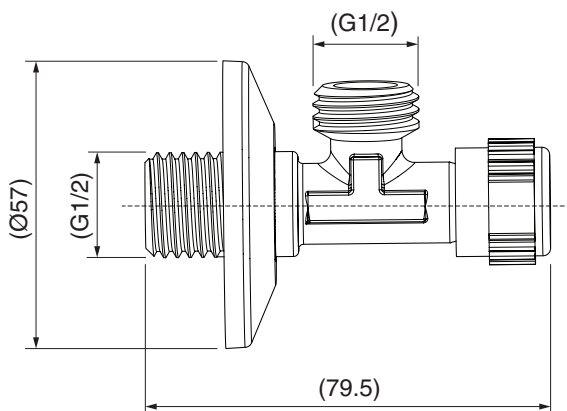
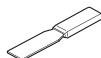
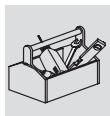


11568IN-7B-**
ANGLE VALVE

ROUGH-IN DIMENSIONS (in mm)

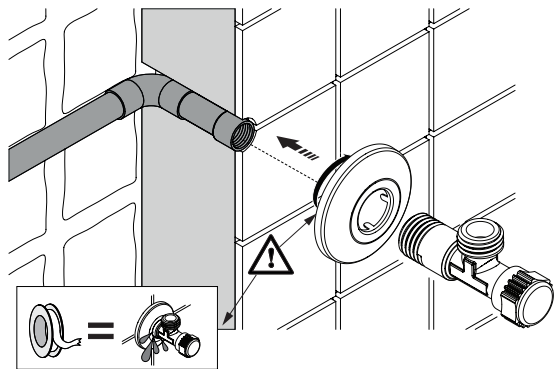


TOOLS REQUIRED



INSTALLATION INSTRUCTIONS

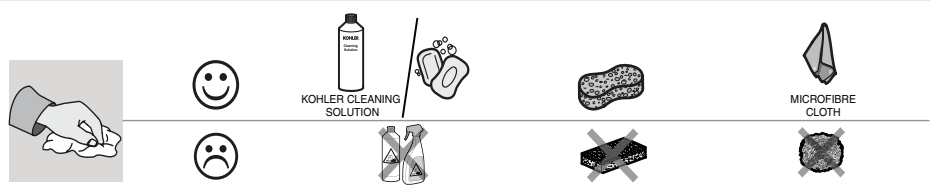
1



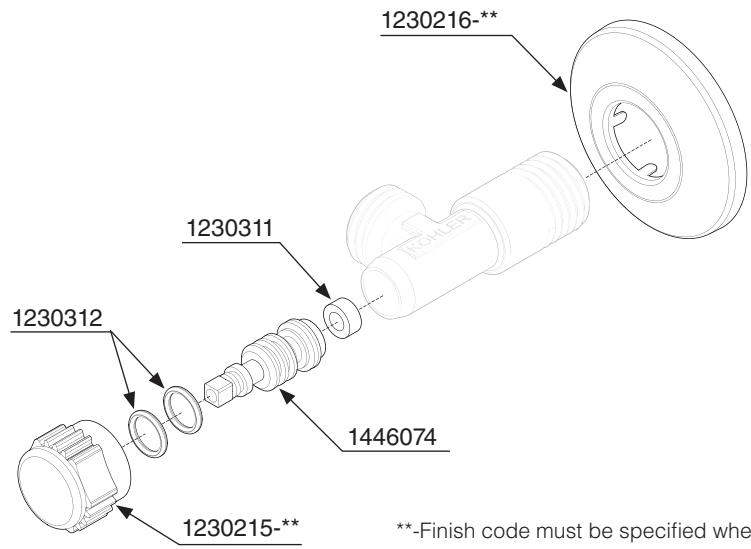
NOTE:

- 1. Flush the water supply pipes thoroughly to remove any debris.
- 2. Observe all local plumbing and building codes.

CLEANING INSTRUCTIONS



SERVICE PARTS



**-Finish code must be specified when ordering.