

10383 10384 10385 10386 BATH SPOUT

BEFORE YOU BEGIN

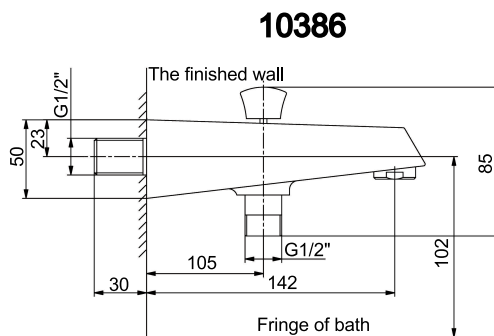
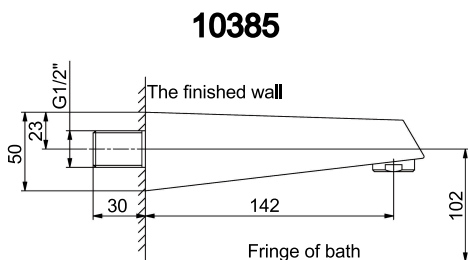
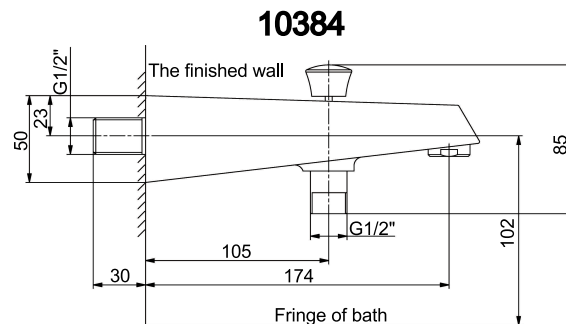
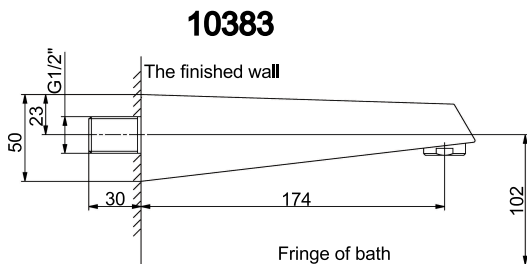
All information is based on the latest product information available at the time of publication. Kohler Co. reserves the right to make changes in product characteristics, packaging, or availability at any time without notice.

Please leave these instructions for the consumer. They contain important information.

NOTES:

1. Flush the water supply pipes thoroughly to remove debris.
2. Shut off the water supplies to the fitting.
3. Observe all local plumbing and building codes.

ROUGH-IN DIMENSIONS

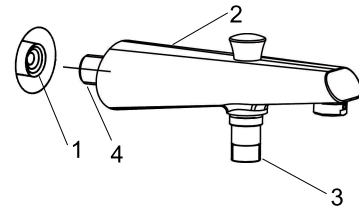
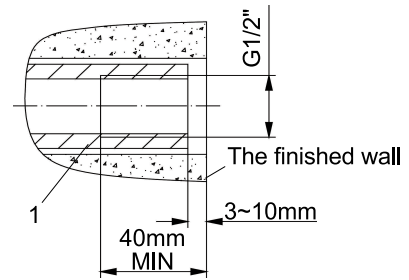


INSTALLATION

To perform installation, install G1/2" female supply fitting(1) as figure shown.

Apply tape or thread sealant to thread(4) of the spout(2). Thread the spout to the G1/2" female supply fitting. Tighten by strap wrench, and keep the spout downwards.

The connector(3, only for 10384 and 10386) will connect with handspray.

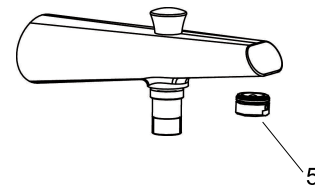


INSTALLATION CHECKOUT

Ensure that all connections are tightened.

Open the drain. Turn on main water supply and check for leaks. Repair as required.

Remove aerator assembly(5). Flush hot and cold water through spout for about one minute to remove any debris. Remove any debris from aerator assembly. Turn off water supply and reinstall aerator assembly.



CLEANING INSTRUCTIONS

All Finishes: Clean the finish with mild soap and warm water. Wipe entire surface completely dry with clean soft cloth. Many cleaners may contain chemicals, such as ammonia, chlorine, toilet cleaner etc. which could adversely affect the finish and are not recommended for cleaning.

Do not use abrasive cleaners or solvents on Kohler faucets and fittings.

10383 10384 10385 10386 BATH SPOUT

