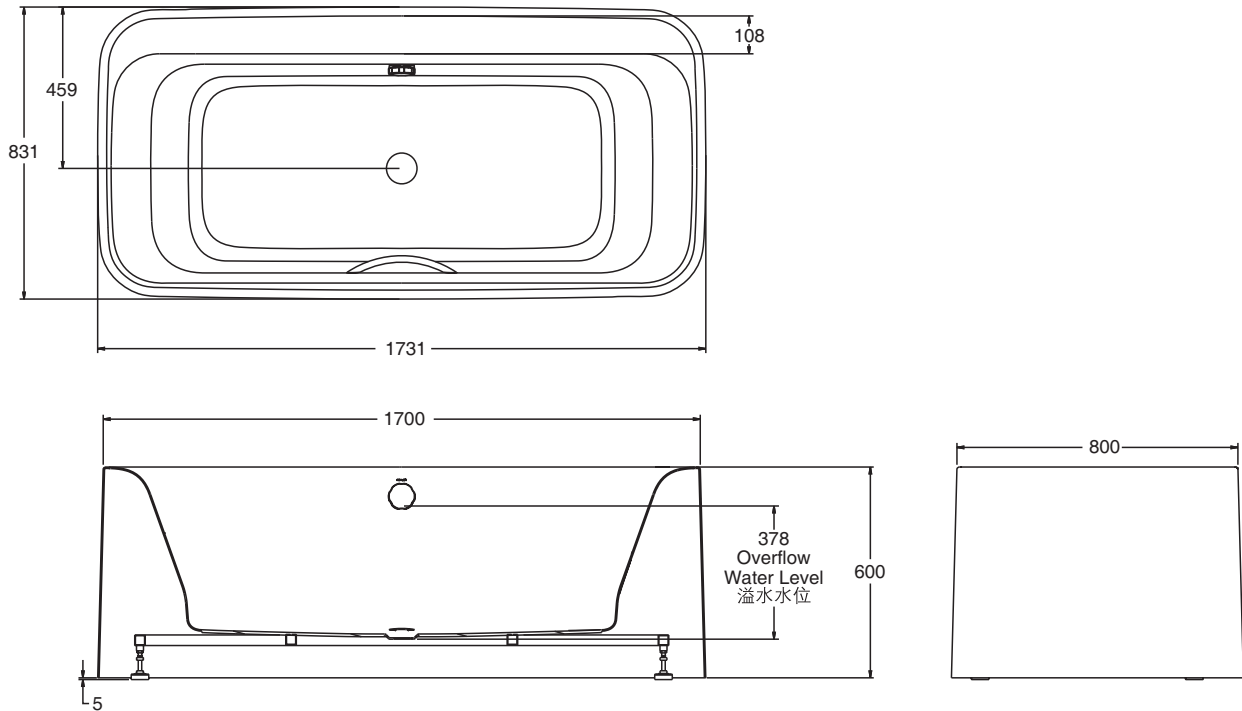


ROUGHING-IN 产品尺寸图 (Unit:mm) (单位: 毫米)



PRODUCT INFORMATION 产品信息

Weight重量	72kg(公斤)
Water depth深度 (To overflow hole bottom 至溢水孔底部)	378mm (毫米)
Capacity水容量 (To overflow hole bottom 至溢水孔底部)	226L (升)
Basin area底部面积	1130mm (毫米) × 464mm (毫米)
Top area顶部面积	1654mm (毫米) × 650mm (毫米)

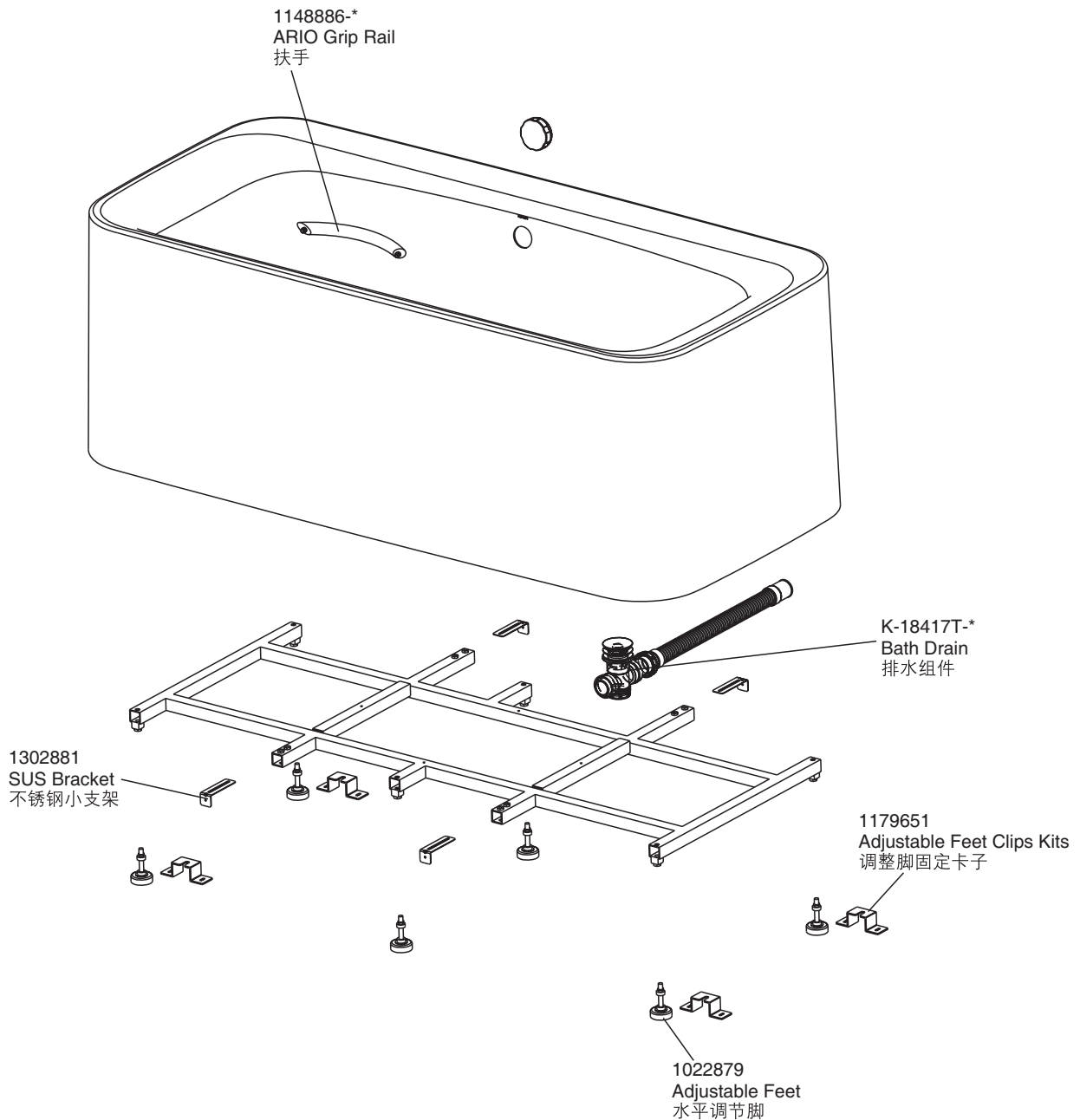
Installation Notes 安装要点

- Refer to installation instruction included with fixture before beginning installation.
- 开始安装前请参考浴缸包装中的安装说明书。
- Unless otherwise specified floor support under bath must provide for a minimum of 400kg loading (including the weight of bathtub, water and one user).
- 除非另有说明, 否则浴缸下地面必须至少可以承载400kg的负载(包含浴缸、水及一名使用者的重量)。

Included Accessory Information 包含配件信息

Bath Drain 排水.....	K-18417T-*
ARIO Grip Rail 扶手.....	1148886-*
Adjustable Feet Clips Kits 调整脚固定卡子.....	1179651

Compiled information is subject to change without prior notice
收录信息如有变动恕不另行通知



Color code (-*) must be specified when ordering.
订购时请说明颜色代码(-*)