

BEFORE YOU BEGIN



WARNING: Risk of personal injury or product damage. Handle with care. Vitreous China can break or chip if the bolts and nuts are over-tightened, or if the product is handled carelessly.

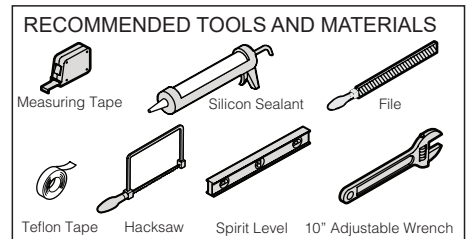
- Observe all local plumbing and building codes.
- Carefully inspect the new toilet for any damage.
- If the In-wall tank is not installed, refer to the manufacturer’s instructions before installation.

ORDERING INFORMATION

MODERN LIFE™ EDGE Wall-hung ToiletK-27902IN-SS-*

Includes MODERN LIFE™ EDGE Wall Hung Toilet BowlK-27903IN-SS-*

Includes MODERN LIFE™ EDGE Quiet-Close™ Toilet SeatK-27904IN-SS-*



RECOMMENDED TANKS

Description	In-wall Tank	Cover/Faceplate
Instaflush In-wall Tank	K-77027IN-M/P-NA	K-4417IN-M-*, K-8857IN-M-*, K-75890IN-M/P-*, K-75891IN-M-*, K-5413IN-M/P-*

NOTE: Best works with Kohler In Wall Solutions.

ROUGH-IN DIMENSIONS

K-27903IN-SS-*

Side view dimensions: Ø2-3/16" (5.5 cm), Ø4" (10.2 cm), 12-3/16" (31 cm), 13-25/32" (35 cm), 15-3/4" (40 cm).

Top view dimensions: 21-1/4" (54 cm), 14-9/16" (37 cm), 5-1/2" (14 cm), 13-37/64" (34.5 cm), 14-3/16" (36 cm), 17-5/8" (44.8 cm).

P-Trap
Unit: Inches (cm)

Front view dimensions: 7-1/16" (18 cm)** (width), 11-13/16" (30 cm)** (height), 7-7/8" (20 cm)** (height), 13-3/16" (33.5 cm)** (height).

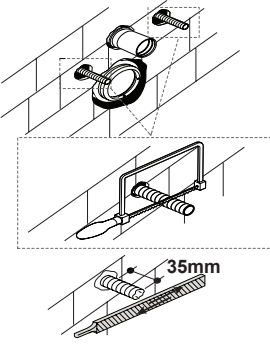
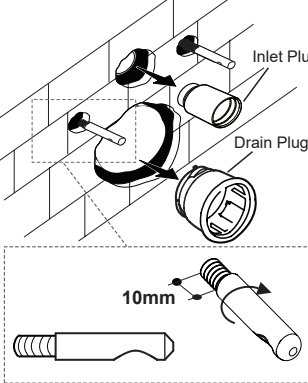
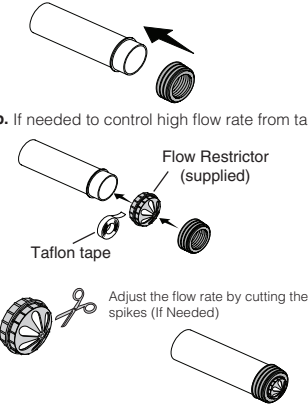
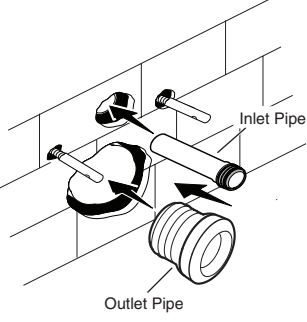
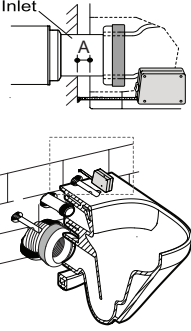
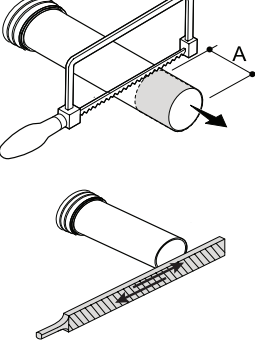
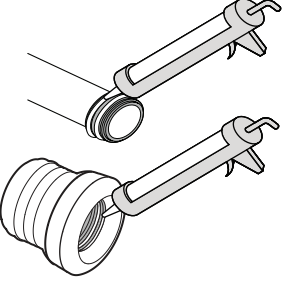
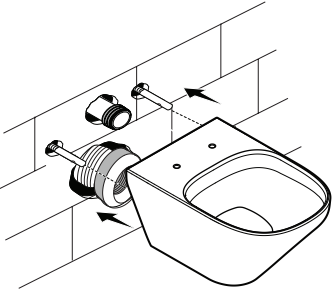
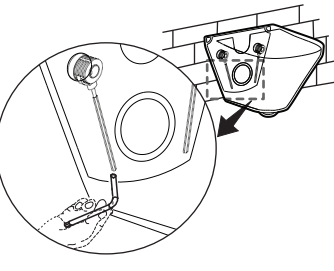
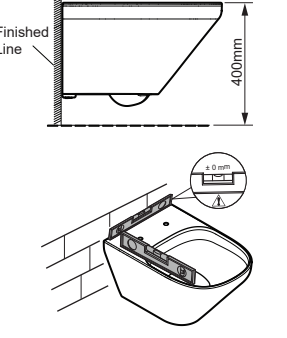
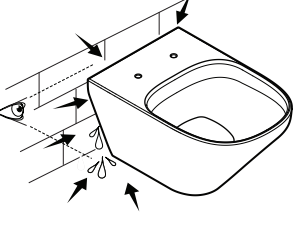
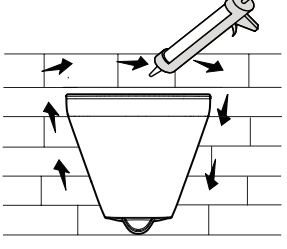
NOTES:

- Fixture dimensions are nominal and conform to tolerances as per ASME Standard A112.19.2M.
- Product illustrations shown are representative only; actual products may vary.
- Kohler Co. reserves the right to make changes in product characteristics, packaging or availability at any time without notice.





⚠ CAUTION : Do not use white cement or high lime-content cement to install this toilet. The expansion of cement due to rise in temperature may cause the toilet to crack or damage. Kohler Co. shall not be responsible for any damage due to use of cement while installation.

** - indicates WC mounting dimension

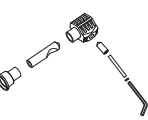
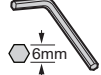

INSTALLATION INSTRUCTIONS

<p>1 Cut bolts if needed. File bolt ends.</p> 	<p>2 Mount the sleeve on the bolts and remove both plugs.</p> 	<p>3 a. Slide the gaskets over inlet pipe. b. If needed to control high flow rate from tank</p> 	<p>4 Slide the inlet pipe and outlet pipe into the wall openings.</p> 
<p>5 Mount the toilet and note the distance between the wall and the toilet at the location shown. Measure excess length "A" for the inlet pipe.</p> 	<p>6 Remove the toilet. Cut and file the inlet pipe to the proper length by removing excess length "A"</p> 	<p>7 Add silicon sealant in the gasket grooves.</p> 	<p>8 Mount the toilet on the wall.</p> 
<p>9 Insert the allen key provided into transparent PVC tube and tighten the screw using 10" allen key.</p> 	<p>10 Check the dimension of bowl top surface from floor as 400mm. Check the alignment of the walling with the spirit level.</p> 	<p>11 Flush the toilet. Check for leaks. Seal connections if required.</p> 	<p>12 Seal around the edges. Do not use cement.</p> 



Recommended Installation Parts:

<p>Inlet Connection (Not Supplied)</p>	 Tank Outlet Pipe 1169504	 Gasket 1169507
<p>Outlet Connection (Not Supplied)</p>	 Drain Connector 1046327	 Drain Connector 1046327-S

Installation parts included in the box:

 Wall Installation Kit 1279117	 Allen Key 9 1/2" 1298931	 Flow Restrictor (1345132)
---	--	---

Spare Parts:

 Wall Installation Kit 1279117	 Flow Restrictor (1345132)
---	---

Note:- Dimension A (as shown in picture 5-6 above) to be adjusted as per specific site equipments.