

**BEFORE YOU BEGIN**



**WARNING:**

Risk of personal injury or product damage. Handle with care.

Vitreous China can break or chip if the bolts and nuts are over-tightened, or if the product is handled carelessly.

- Observe all local plumbing and building codes.
- Carefully inspect the new toilet for any damage. In case of any damage, please discard the product & contact Kohler customer care.
- If the In-wall tank is not installed, refer to the manufacturer's instructions before installation.

**ORDERING INFORMATION**

BRAZN® Round Wall-hung Toilet W/Seat..... K-26994IN-\*

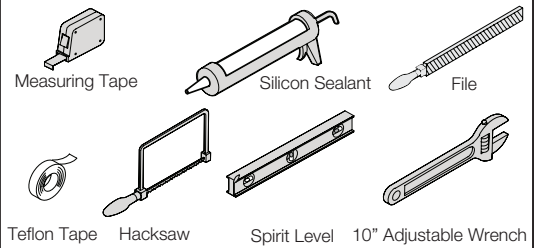
Includes BRAZN® Wall Hung Toilet- Round..... K-21748IN-\*

Includes BRAZN® Quiet-close™ Toilet Seat

(Washdown Round).....K-21128IN-\*

\* Finish/color code to be specified while ordering.

**RECOMMENDED TOOLS AND MATERIALS**



**RECOMMENDED TANKS**

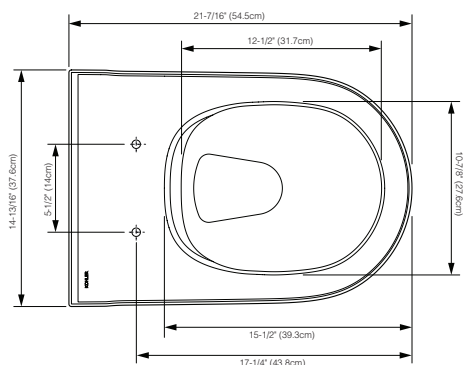
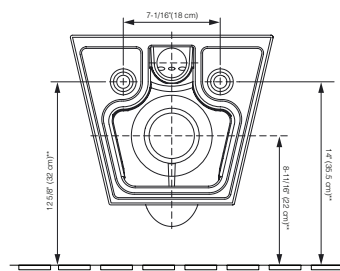
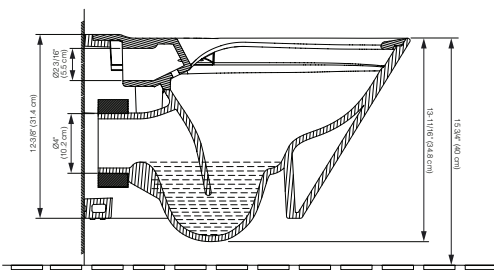
Description	In-wall Tank	Cover/Faceplate
Instaflush In-Wall Tank	K-77027IN-M/P-NA	K-4177IN-M-*, K-8857IN-M-*, K-75890IN-M/P-*, K-75891IN-M-*, K-5413IN-M/P-*

# Product is compliant to flush performance tests as per ASME A119.12 at given flush volumes only when tested as per Kohler In-wall tanks mentioned in section above "RECOMMENDED TANKS".

**ROUGHING-IN**

21748IN-\*

P-Trap  
Unit: Inches (cm)



**NOTES:**

- Fixture dimensions are nominal and conform to tolerances as per ASME Standard A112. 19.2M.
- Product illustrations shown are representative only; actual product may vary.
- Kohler reserves the right to make changes in product characteristics, packaging or availability at any time without notice.

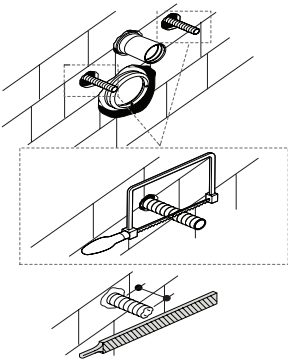


**CAUTION :** Do not use white cement or high lime-content cement to install this toilet. The expansion of cement due to rise in temperature may cause the toilet to crack or be damaged. Kohler is not responsible for any damage due to installation with the use of cement.

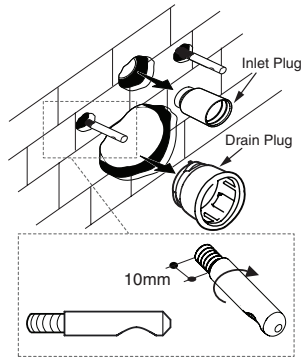
\*\* - indicates WC mounting dimension

# INSTALLATION INSTRUCTIONS

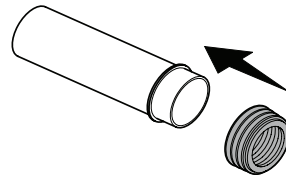
**1.** Cut bolts if needed. File bolt ends.



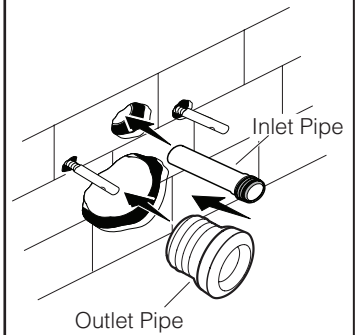
**2.** Mount the sleeve on the bolts and remove both plugs.



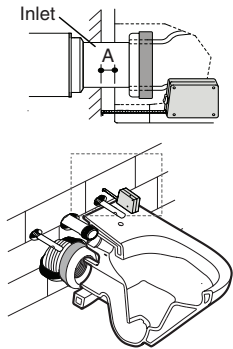
**3.** Slide the gaskets over inlet pipe.



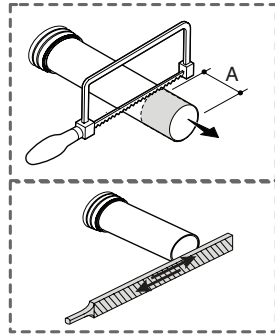
**4.** Slide the inlet pipe into wall openings for water inlet. Test fit the toilet.



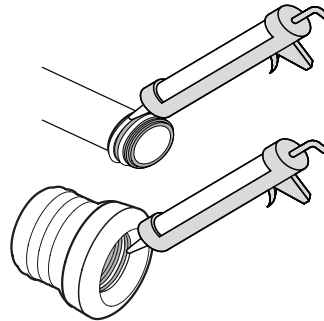
**5.** Mount the toilet and note the distance between the wall and the toilet at the location shown. Measure excess length "A" for the inlet pipe.



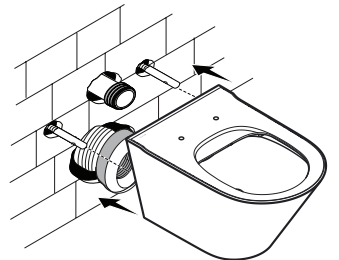
**6.** Remove the toilet. Cut and file the inlet pipe to the proper length by removing excess length "A"



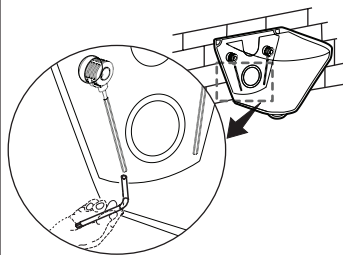
**7.** Add silicon sealant in the gasket grooves.



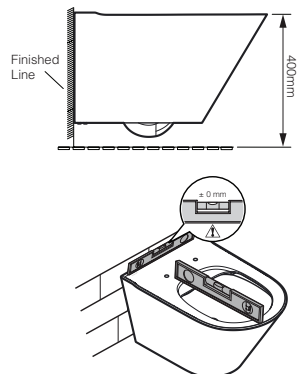
**8.** Mount the toilet on the wall.



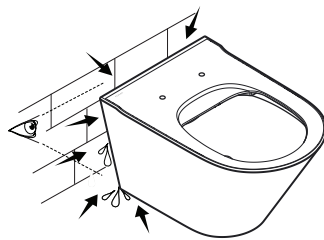
**9.** Insert the allen key provided into transparent PVC tube and tighten the screw using 10" allen key.



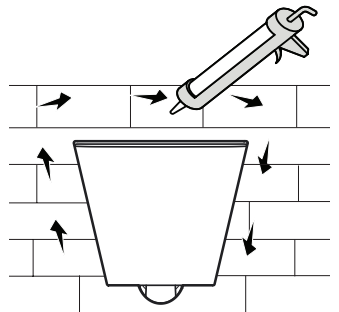
**10.** Check the dimension of bowl top surface from floor as 400mm. Check the alignment of the walling with the spirit level.









**11.** Flush the toilet. Check for leaks. Seal connections if required.



**12.** Seal around the edges. Do not use cement.



## Recommended Installation Parts:

Inlet Connection (Not Supplied)	 1169504	 1169507	 Wall Installation Kit** 1279117	 Allen Key 9 1/2" 1298931
Outlet Connection (Not Supplied)	 1046327	 1046327-S		

**Note:** Dimension A (as shown in picture 5-6 above) to be adjusted as per specific site requirements.

\*\*Wall Installation kit shown is supplied with toilet.