

## BEFORE YOU BEGIN

### NOTES

- Use these instructions for above-counter installation. Please follow the instructions that apply to your installation.
- You can choose between a wall-mount or countertop faucet installation, depending upon the setting and styling you desire. We recommended a wall-mount faucet.
- Prior to installation, unpack the new lavatory and carefully inspect it for damage. Return the lavatory to its protective carton until you are ready to install it.
- All information in these instructions is based upon the latest product information available at the time of publication. Kohler China reserves the right to make changes in product characteristics, packaging, or availability at any time without notice.
- These instructions contain import care, cleaning, and warranty information please leave these instructions for the consumer.
- Kohler lavatory is made according to American National Standard that it can match the American lavatory fittings. Any other lavatory fittings may not fit for kohler lavatory.

## 安装之前

### 注意

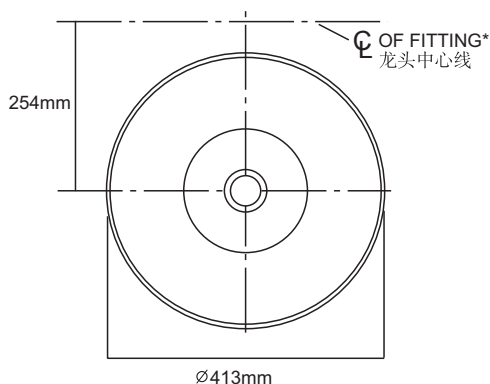
- 台上式脸盆可使用此说明书。请遵照适合您安装需要的说明进行。
- 根据您所需的安装地及安装风格，你可选择说龙头靠墙安装或台上式安装。建议您采用靠墙式龙头。
- 安装之前，先开启新脸盆的包装，并小心检查新的脸盆是否有损坏，再将脸盆放回包装盒内，到安装时才取用。
- 本说明书所含一切资料，均以印刷时所有的最新产品为准。科勒公司保留随时更改产品特性，包装或供应情况的权利，恕不另行通知。
- 此说明书包括重要的护理，清洁及保修资料请将此说明书交用户留存。
- 科勒洗脸盆是根据美国标准制造的，与美式洗脸盆配件相配。其它洗脸盆配件可能与之不相配。

## ROUGHING-IN DIMENSIONS

| Roughing-In Notes   |
|---|
| Fixture dimensions are nominal and conform to tolerances in ASME Standard A112.19.2M.                           |
| (T) Pop-up drain 229mm.   |
| (S) 356mm (Based on 305mm riser which may require cutting).   |
| * Spout must be 127mm long (min.) for adequate clearance into lavatory when installed with centerline as shown. |
| ** Spout must be tall enough to clear 76mm rim height and provide a 25mm air gap per ASME A112.1.2              |

## 尺寸图

| 尺寸资料   |
|--|
| 产品尺寸均为标准值，误差均符合美国机械工程协会 (ASTME)A112.19.2M标准。 |
| (T) 使用提拉杆去水头229mm。                           |
| (S) 356mm: 此尺寸根据305mm冒口计算，须按实际情况调整。          |
| * 采用图示中心线安装时，龙头出水嘴须127mm长(最少)以保持其伸入脸盆的距离。    |
| ** 出水嘴须高达76mm并根据ASME A112.1.2标准，有25mm气隙。     |



K-2200T-G

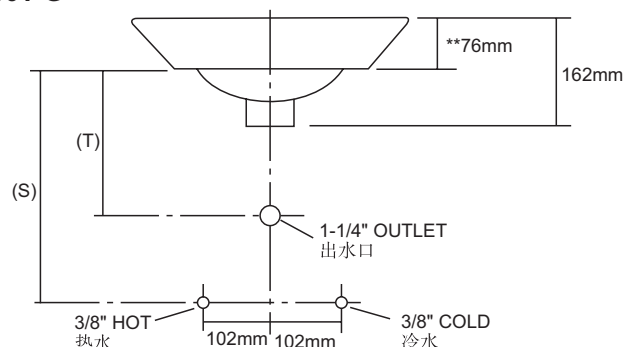


Fig. #1  
图1

广东省佛山市三水区乐平镇第二工业区  
佛山科勒有限公司 邮编: 528137

## TOOLS AND MATERIALS REQUIRED (NOT SUPPLIED)

- Sealant
- Template (supplied)
- Safety glasses
- Pencil
- Scissors
- Tape Measure
- Hole Saw
- Keyhole saw or saber saw
- Drill (1/2" dia. Drill bit, or larger)
- Screwdriver

## 所需工具及材料 (不随货供应)

- 密封胶
- 安装模板(已提供)
- 安全眼罩
- 软性铅笔
- 剪刀
- 卷尺
- 孔锯
- 匙孔锯或军刀状锯
- 电钻(直径为13mm的钻锥或更大的钻锥)
- 螺丝刀

## COUNTERTOP INSTALLATIONS

Position the template on the countertop.

**For Wall-mount faucets:** Be sure to provide sufficient spout overhang into the lavatory basin. See the roughing-in notes for minimum spout length information.

**For Countertop Faucets:** Pay special attention to the spout and handle fit clearance when locating the faucet, as noted below. Use the template to locate the faucet spout hole centerline on the countertop. This centerline is recommended to provide adequate clearance between the edge of the lavatory and the spout.

Check for adequate clearance between the backsplash or wall faucet spout and handles, and lavatory. We recommend clearance of at least 25mm between:

- The installed lavatory and the faucet spout
- The installed lavatory and the end of the faucet handles, and
- The faucet spout and handles and the backsplash or wall.

**NOTE:** In china installation will not have separate backsplash. The back wall is the "backsplash".

Refer to the faucet installation instructions for required clearance, and mark the preferred faucet hole locations using a soft lead pencil.

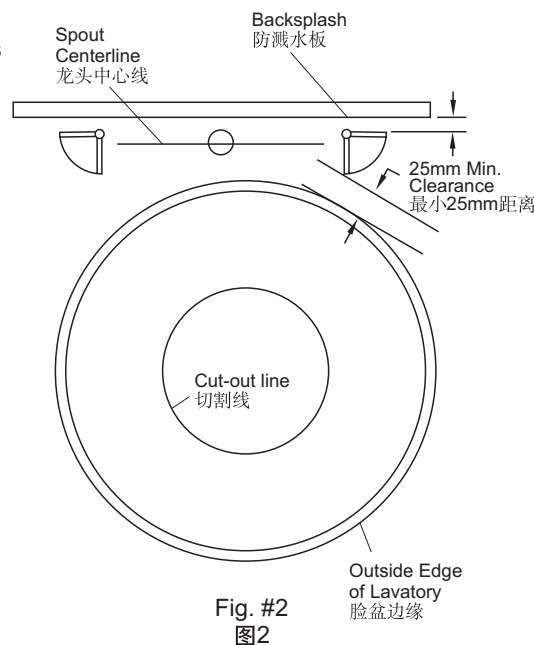
Trace the template on the countertop using a soft lead pencil.

## 安装台面

将模板放在台面上。

**安装靠墙式水龙头:** 保证出水嘴悬于脸盆池上有足够的距离。需要出水嘴的最小长度资料, 可参阅尺寸说明。

**安装台式水龙头:** 安放水龙头时, 要如下列提示一样, 特别注意出水嘴与把手的配合间隙。利用模板将水龙头出水嘴孔中心线放在台板上。建议此中心线在脸盆边缘与出水嘴间留有足够的距离。



检查防溅水板或后墙、水龙头出水嘴与把手之间是否有足够的间隙。我们建议至少留25mm的间隙, 在:

- 安好的脸盆与水龙头出水嘴之间
- 安放的脸盆与把手末端之间
- 水龙头出水嘴、把手与防溅水板或后墙之间

**注意:** 在中国一般不会单独安装防溅水板, 安装台盆的后墙即为“防溅水板”。

需要了解所需间隙, 请参阅水龙头安装说明书, 并用一软性铅笔标出要安装水龙头的孔的位置。

用一软性铅笔在台面上沿模板画线。

Cut out the opening by carefully following the pencil line.

**CAUTION: Risk of personal injury or product damage.**  
Large lavatories are very heavy. Get help lifting the lavatory into place.

Temporarily position the lavatory in the countertop cutout so the "Kohler" logo is visible. The logo is located inside the basin, near the rim, and should be positioned near the faucet.

Verify proper clearance between the lavatory, faucet, and backsplash.

Remove the lavatory from the countertop cutout, and return it to its protective carton. Do not stand or store the lavatory on the drain surface.

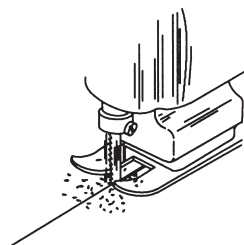


Fig.#3  
图3

仔细地沿软性铅笔切割开口。

**小心：提防身体受伤或损坏产品。**大型脸盆相当重，须请人帮忙一起搬动及安放。

暂将脸盆放入台面切口的位置。能看见“Kohler”字样。此字样应位于脸盆池内侧，靠近盆池、接近水龙头的地方。

检查脸盆、水龙头及防溅水板或后墙之间的间距是否适当。

将脸盆从台面切口处移开并将其放入起保护作用的纸箱中。不可将脸盆竖立放置或将排水一侧放在地上。

Drill the faucet holes.

Install the faucet to the countertop according to the manufacturer's instructions.

Install the drain to the lavatory according to the installation instructions included with the drain. Apply a sufficient amount of clear silicone sealant when you install the drain.

钻好水龙头口。

依照制造商的说明书，将水龙头安在台面上。

依照附在排水装置中的说明书，将排水装置安在脸上。安装排水装置时，请使用足够的清澈型密封胶。

For tile, wood, or other porous materials, apply waterproof sealant around the cutout area of the countertop surface. Follow all manufacturer's instructions and warnings. Allow the sealant to dry before proceeding.

Use a 50/50 mixture of isopropyl alcohol and water to clean the countertop surface around the cutout area. Wipe dry with a clean cloth.

**NOTE:** Install the adhesive sealant when the temperature is at least 10°C. The preferred temperature range to apply the adhesive sealant is 21°C to 38°C.

Loosely apply the adhesive sealant around the entire countertop cutout so it is alongside the cutout hole. Adjust the placement of the sealant before removing the backing material. Cut off any excess seal material. Carefully remove the adhesive seal backing material.

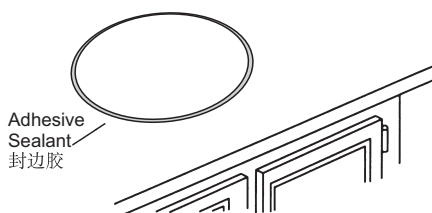


Fig.#4  
图4

对于瓷砖、木材或其它多孔状材料，请使用防水密封胶涂沫在台面的切口处。遵守制造商提供的一切说明及警告。待密封胶干后，方可进行安装。

请使用50/50异丙醇与水的混合物来清洁切口周围的台面，用一干净抹布擦干。

**注意：**当温度至少为10°C时，才可使用封边胶。使用封边胶的最佳温度范围为21°C至38°C。

将封边胶轻轻地涂在台面的四周，使其横靠在切口洞上。在拆除支撑材料前，请调整一下封边胶涂抹的地方，擦去多余的封边胶。仔细地将支撑封边胶的材料移开。



**CAUTION: Risk of personal injury or product damage.**  
Large lavatories are very heavy. Get help lifting the lavatory into place.

Note the location of the "Kohler" logo. The lavatory should be installed so the logo is visible after installation.

Carefully position the lavatory in the cutout, and press down firmly.

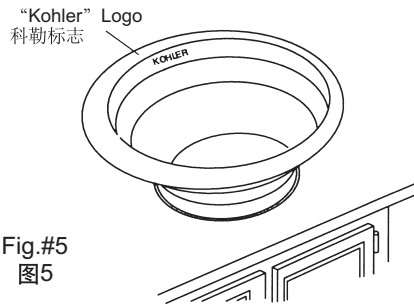


Fig.#5  
图5



**小心：提防身体受伤或损坏产品。**大型脸盆相当重，须请人帮忙一起搬动及安放。

注意“Kohler”字样的位置，脸盆安装完毕后，应能看见此字样。

小心地将脸盆放入台面切口适当位置，向下按牢。

Connect the faucet supply lines.

Connect the drain assembly.

Open the faucet valves, and check for leakage.

Clean up with a non-abrasive cleaner.

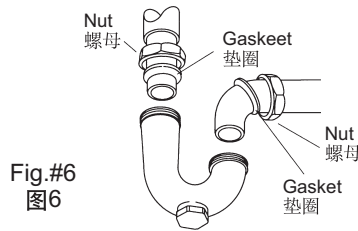


Fig.#6  
图6

联接水龙头供水管。

联接排水装置。

开启水龙头阀门，检查有无渗漏。

用非腐蚀性清洁剂来清洁。

## IMPORTANT CONSUMER INFORMATION

## 用户须知

### CLEANING YOUR VESSELS LAVATORY

Keep your vessels lavatory looking new by rinsing it out thoroughly after each use. Do not regularly use abrasives on the lavatory surface, as this will eventually scratch and dull the surface. For stubborn stains, abrasives may be used sparingly.

### 清洁脸盆

为保持脸盆光洁如新，须确保每次使用后彻底冲洗干净，不要定期使用腐蚀性清洁剂，以免刮花表面或使表面失去光泽，要清除顽固污垢，可偶尔使用一次腐蚀性清洁剂。

## USE & CARE

## 使用与护理

### THIS TAG IS FOR REMOVAL BY HOMEOWNER ONLY!

Treat your decorative product just as you would treat your fine china. The best way to clean it is to use warm water and pat dry with a cotton cloth or soft sponge. **DO NOT** use bristle brushes or abrasive-backed sponges. They will scratch the decorative surface.

For occasional cleaning of stubborn deposits, use **ONLY** the following cleaners: apply the cleaner, wipe gently, **rinse off any residue immediately**. Pat dry or wipe gently with a cotton cloth.

### 此提示仅针对家庭用户自行拆除时用

要像维护精细陶瓷制品一样爱护您的装饰性产品。最佳的清洁方法是用温水清洗并用棉布或柔软的海绵轻轻擦干。**不要**用硬毛刷或后面有腐蚀性材料的海绵。他们会刮花饰面。

偶尔清洁顽固污垢时，**只能**用以下清洁方式：用清洁剂轻轻擦拭，**立刻**冲洗一切残垢。用棉布轻轻擦干。