

BEFORE YOU BEGIN

- Please read these instructions carefully to familiarize yourself with the required tools, materials, and installation sequences. Follow the sections that pertain to your particular installation. This will help you avoid costly mistakes. In addition to proper installation, read all operating and safety instructions.
- All information in these instructions is based upon the latest product information available at the time of publication. Kohler India reserves the right to make changes in product characteristics, packaging or availability at any time without notice.
- These instructions contain important care, cleaning, and warranty information - please leave instructions for the consumer.
- In case product is damaged when unpacked for first time, **please do not install the product and immediately report to customer care.**

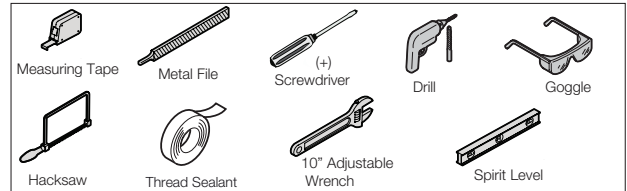
NOTES

- Observe all local plumbing and building codes.
- Shut off the water supply.
- Carefully inspect the new fixture for any sign of damage.
- Be very careful while handling vitreous china products.

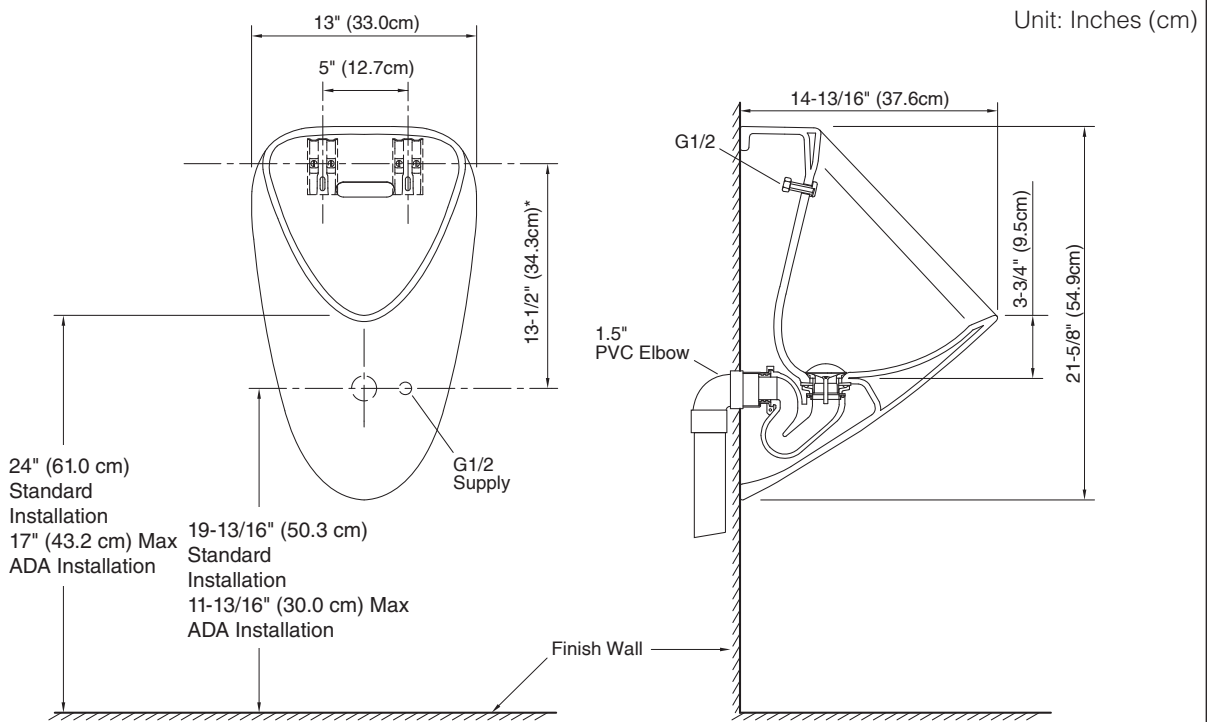
RECOMMENDED URINAL SENSORS: (20713IN-SS-)**

PATIO™ Urinal Sensor 24199IN-C01/C03-**
PATIO™ Urinal Sensor DC 8791T-C01-**

TOOLS & MATERIALS REQUIRED (Not supplied)



ROUGH-IN DIMENSIONS



20713IN-SS-**

Notice:

- Fixture dimensions are nominal and conform to tolerances as per ASME Standard A112. 19.2M.
- Product illustrations shown are representative only, actual products may vary.
- Kohler Co. reserves the right to make changes in product characteristics, packaging or availability at any time without notice.
- * Recommended dimensions for installation, please adjust according to site conditions if needed.

INSTALLATION INSTRUCTIONS

1. PREPARATION

- Turn the water supply off.
- Install or relocate the supply tubing and waste pipe as necessary to conform to the rough-in dimensions.
- Install the shut-off valve.
- Install adequate support framing if required.



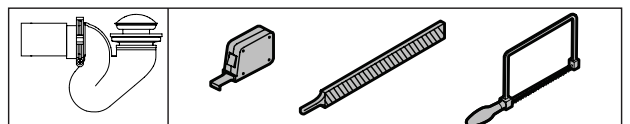
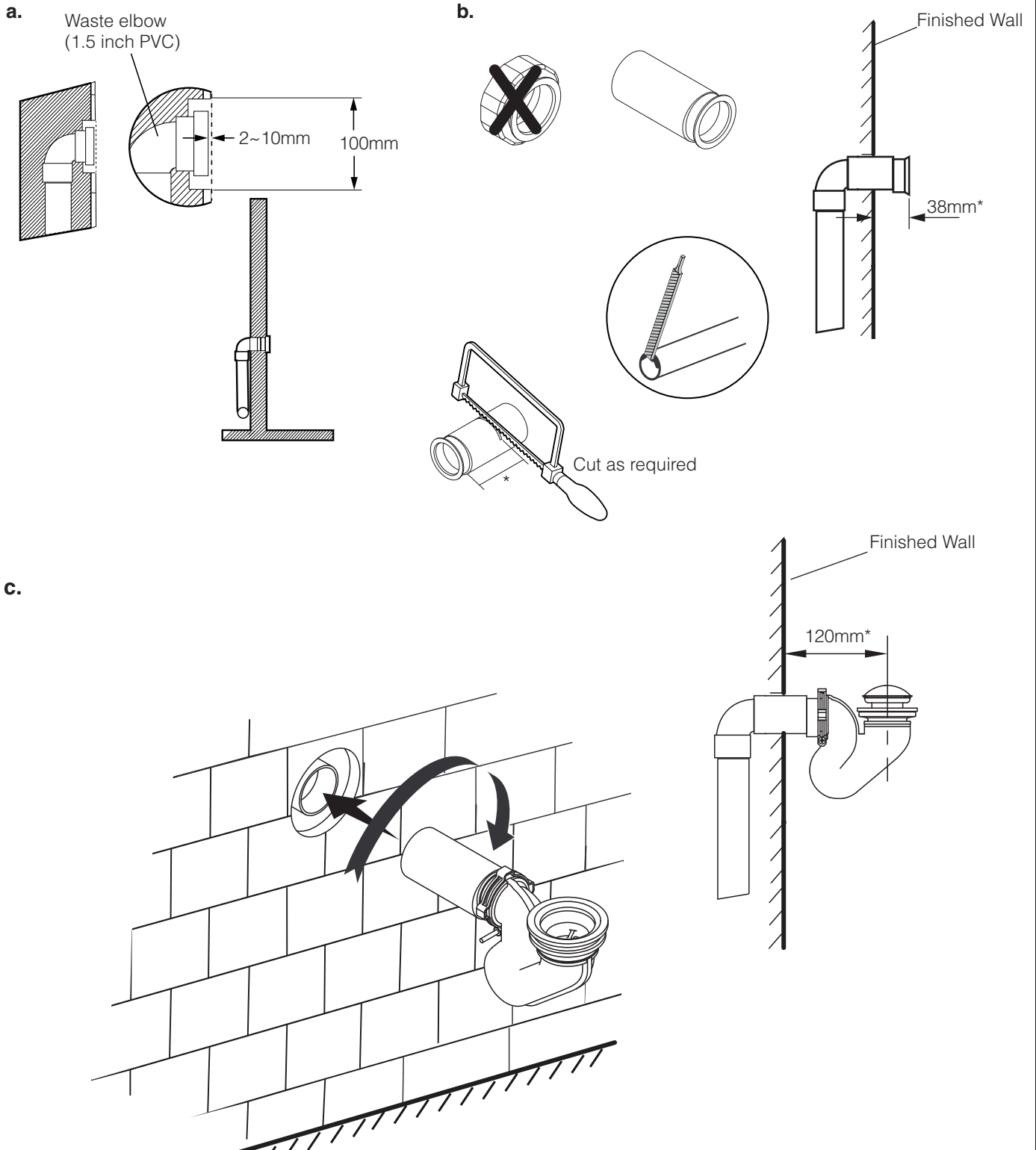
CAUTION:

Do not under size waste piping as it will lead to clogging of the outlet and reduction in rate of waste outflow.

INSTALLATION INSTRUCTIONS

1 INSTALL OUTLET CONNECTION

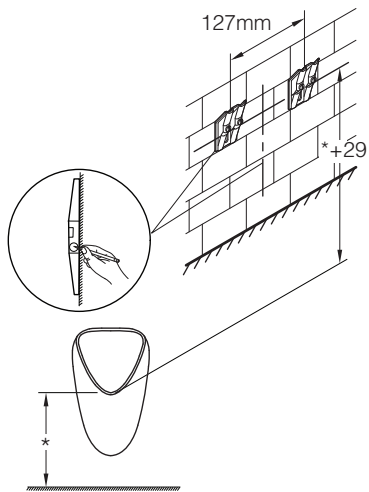
As certain the position for waste elbow (1.5 inch PVC) according to rough-in dimensions. Connect the outlet connection with the S-trap way. Insert the gasket into the S-trap way as shown. Apply sealant on outlet pipe, connect the outlet pipe with the waste elbow.



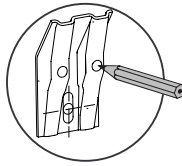
2 INSTALL HANGER

Drill 2 mounting holes on the wall and install hanger. Fix hanger on the wall by tightening screws and anchors.

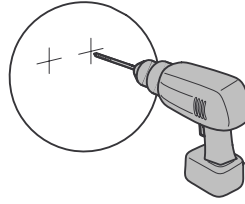
1.



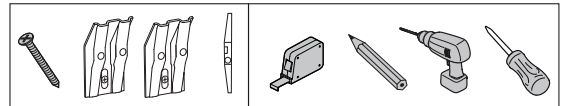
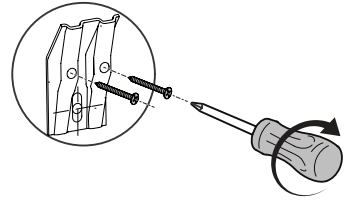
2.



3.



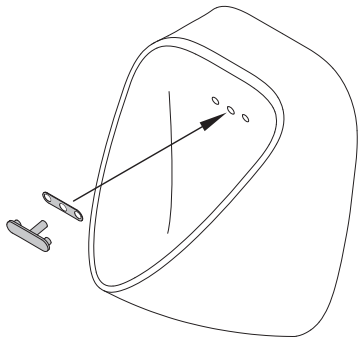
4.



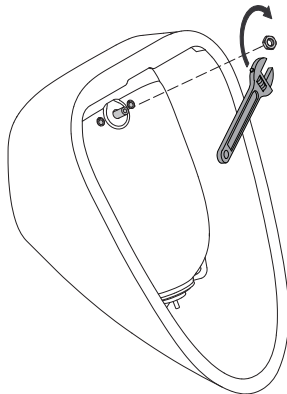
3 INSTALL INLET PIPE

Connect water distributor with the urinal as shown. Connect supply hose from back side.

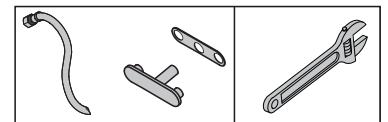
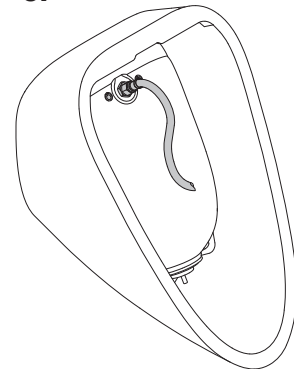
a.



b.



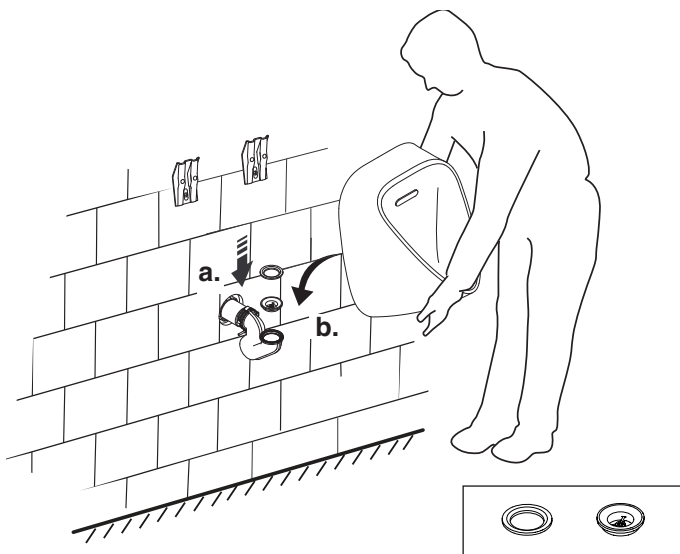
c.



INSTALLATION INSTRUCTIONS (20713IN-SS-**)

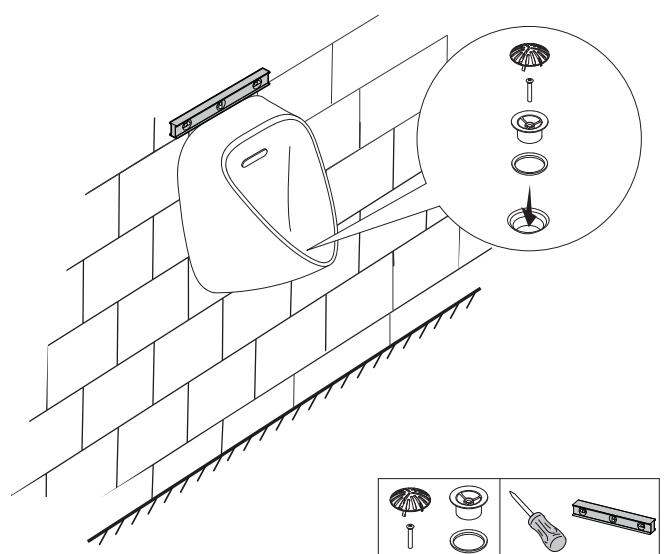
4 INSTALL URINAL

Install the urinal on the hanger and align the center of S-trap with the waste hole in urinal.



5 INSTALL BEEHIVE STRAINER

Install the beehive strainer by tightening screw.



CONSUMER RESPONSIBILITIES (20713IN-SS-**)

1. In hard water area, make sure that opening in "slip nut assembly" should be cleaned and unclogged to achieve proper flushing.
2. Please follow the ceramic cleaner manufacturer's instruction carefully
3. Do not use abrasives cleaners or solvents.

To Achieve Desired Performance:

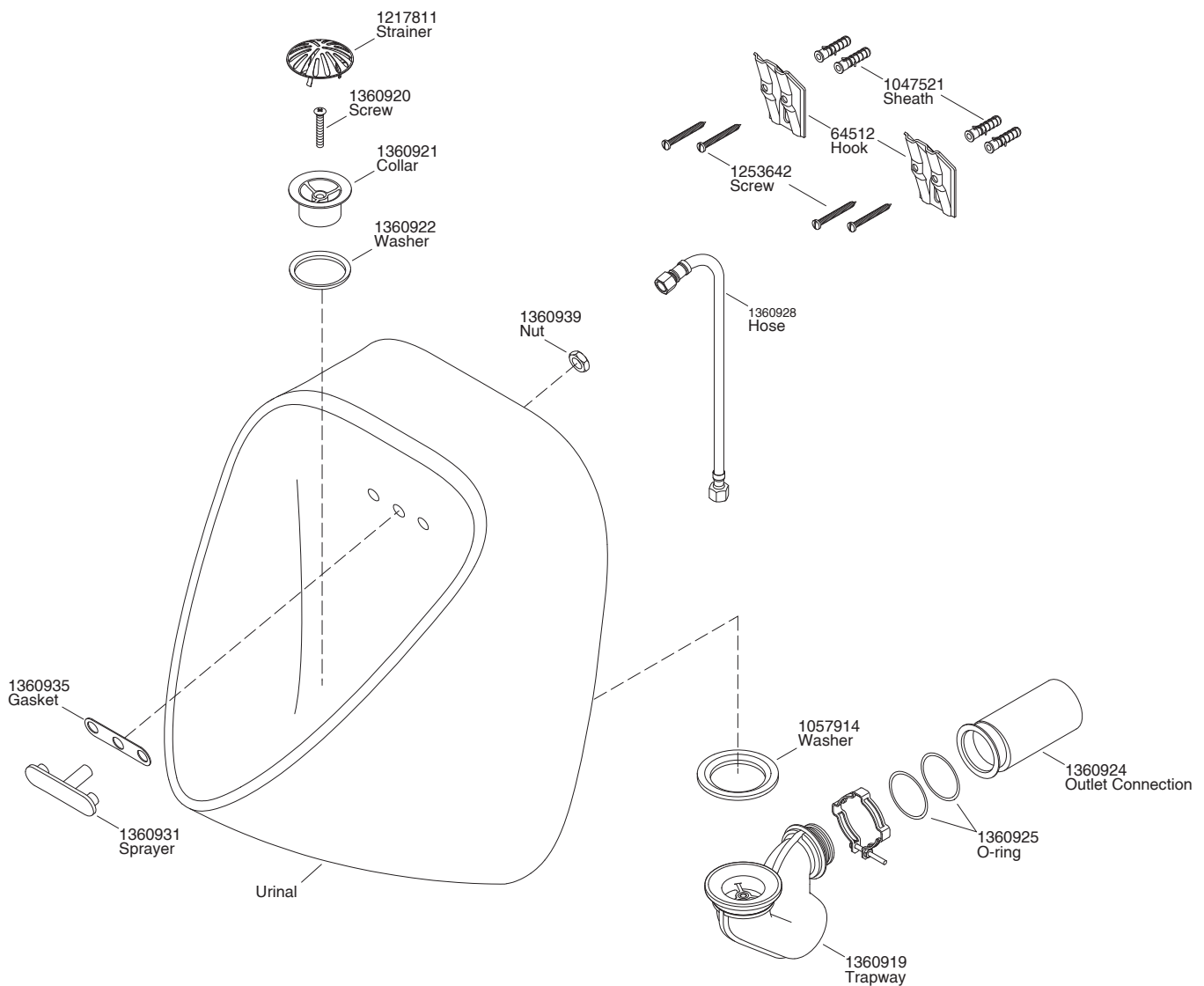
1. Drain Line of Urinal should be cleaned once in 8 weeks (normal water). Once in 4 weeks (treated water).

NOTE : However, actual cleaning frequency to be decided as per site conditions & usage frequency.

WARNING: Risk of product damage.

- Products containing chlorine (Calcium hypochlorite) can seriously damage fittings in urinal. This damage can cause leakage and property damage.
- Do not use white cement or high lime content cements to install this toilet. The expansion of cement due to a rise in temperature may make the toilet crack or cause damage.
- Kohler company shall not be responsible or liable for any damage to the product or user caused by installation or by the use of cleaners containing chlorine (Calcium hypochlorite)

SPARE PARTS



** Finish/color code to be specified while ordering.