

BEFORE YOU BEGIN



WARNING:

Risk of personal injury or product damage. Handle with care. Vitreous China can break or chip if the bolts and nuts are over-tightened, or if the product is handled carelessly.

- Observe all local plumbing and building codes.
- Carefully inspect the new toilet for any damage. In case of any damage, please discard the product & contact Kohler customer care.
- If the In-wall tank is not installed, refer to the manufacturer's instructions before installation.

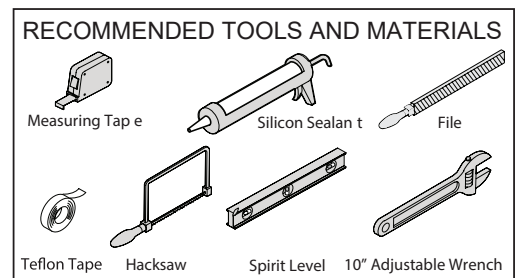
ORDERING INFORMATION

ESCALE™ Wall-hung Toilet.....K-16817IN-SS-*

Includes ESCALE™ Toilet BowlK-19045IN-SS-*

Includes ESCALE™ Quiet-close™ Slim SeatK-20192IN-SS-*

* Finish/color code to be specified while ordering.



RECOMMENDED TANKS

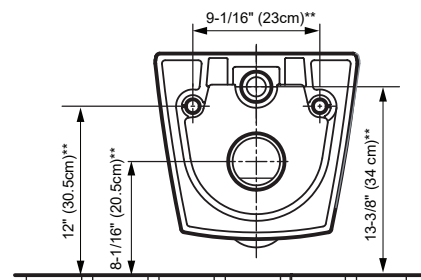
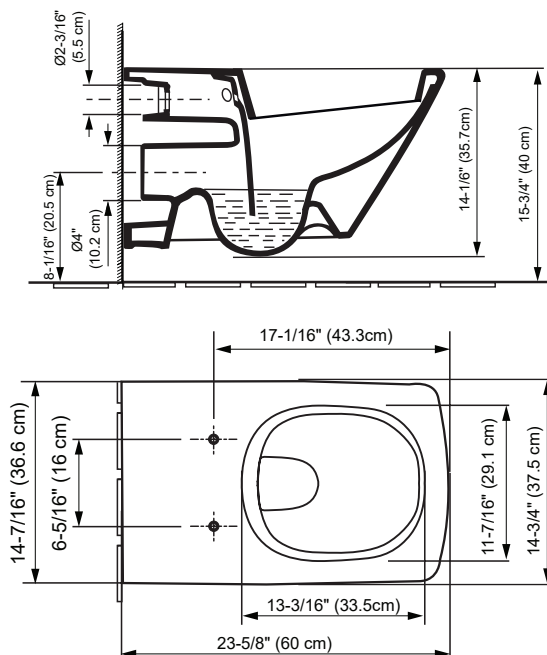
Description	In-wall Tank	Cover/Faceplate
Instaflush In-Wall Tank	K-77027IN-M/P-NA , K-P77027IN-M/P-NA	K-4177IN-M-*, K-8857IN-M-*, K-75890IN-M/P-*,K-75891IN-M-*, K-5413IN-M/P-*

Product is compliant to flush performance tests as per ASME A112.19.2 at given flush volumes only when tested as per Kohler In-wall tanks mentioned in section above "RECOMMENDED TANKS".

ROUGHING-IN

K-19045IN-SS-*

P-Trap
Unit: Inches (cm)



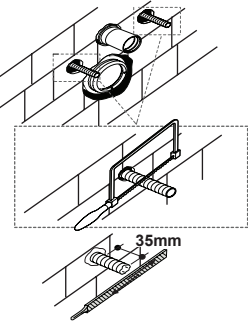
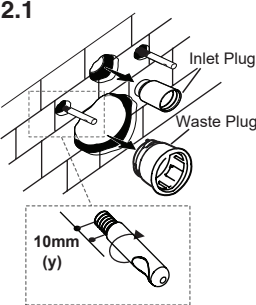
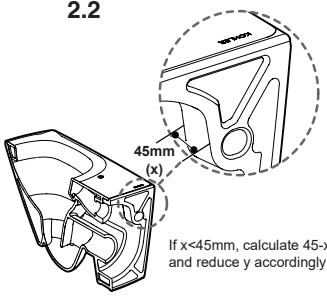
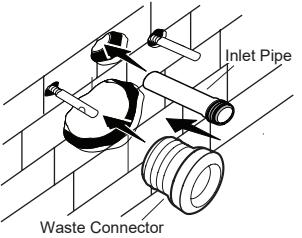
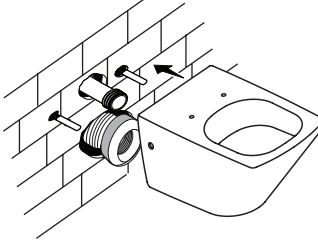
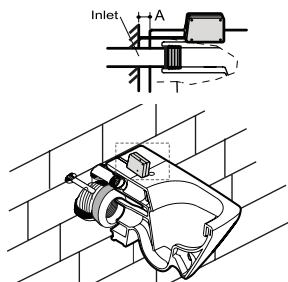
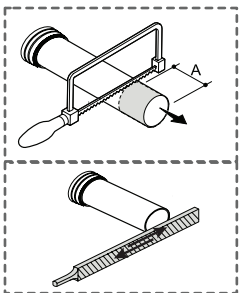
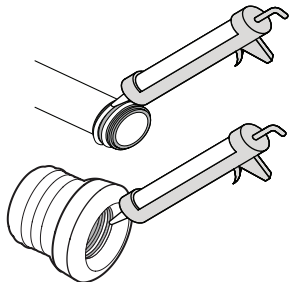
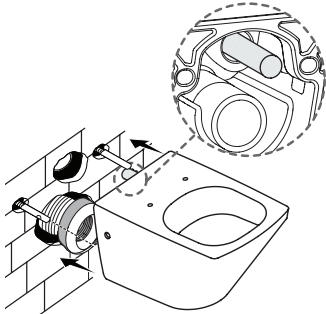
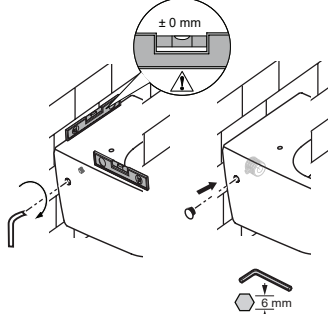
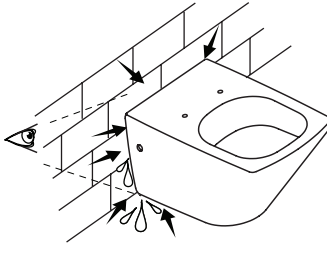
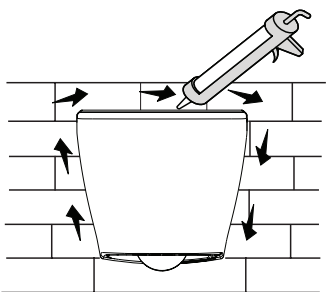
NOTES:

- Fixture dimensions are nominal and conform to tolerances as per ASME Standard A112.19.2M.
- Product illustrations shown are representative only; actual product may vary.
- Kohler reserves the right to make changes in product characteristics, packaging or availability at any time without notice.

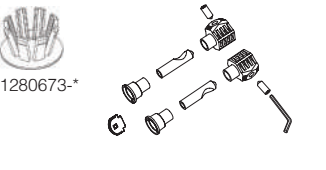
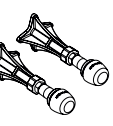
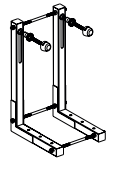
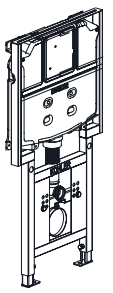
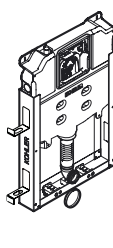
⚠ CAUTION : Do not use white cement or high lime-content cement to install this toilet. The expansion of cement due to rise in temperature may cause the toilet to crack or be damaged. Kohler is not responsible for any damage due to installation with the use of cement.

** - indicates WC mounting dimension

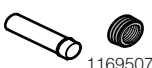

INSTALLATION INSTRUCTIONS

<p>1. Cut bolts if needed. File bolt ends.</p> 	<p>2. Mount the sleeve on the bolts and remove inlet plug & waste plug.</p> <p>2.1</p>  <p>2.2</p> 	<p>3. Install waste connector & inlet pipe.</p> 	
<p>4. Test fit the toilet.</p> 	<p>5. Note the distance between the wall and the toilet at the location show. Measure excess length "A" for the inlet pipe.</p> 	<p>6. Cut and file the inlet pipe to the proper length by removing excess length "A".</p> 	<p>7. Add silicon sealant in the gasket grooves.</p> 
<p>8. Mount the toilet on the wall.</p> 	<p>9. Level the toilet and tighten fixing kit using allen key. Close the installation holes using the caps.</p> 	<p>10. Flush the toilet. Check for leaks. Seal connections if required.</p> 	<p>11. Seal around the edges. ⚠ Do not use white cement.</p> 

Recommended supports for Toilet installation :

 <p>1280673-*</p> <p>Wall Installation Kit** 1279116-0</p>	 <p>1224238-IN-0</p>	 <p>1225108-0</p>  <p>77028IN-M/P-NA</p>  <p>77029IN-M/P-NA</p>
---	---	--

Recommended Installation Parts

<p>Inlet Connection (Not Supplied)</p>	 <p>1169504 1169507</p>
<p>Outlet Connection (Not Supplied)</p>	 <p>1046327-S</p>

**Wall installation kit shown is supplied with toilet.

Toll Free 1800 103 2244
kohler.co.in
 © 2006-19 Kohler Co.