

Installation Guide

安装说明

Acrylic Bath W/O Apron

无裙亚克力浴缸

SHANGHAI KOHLER LTD., NO.368, MIN LE ROAD,
FENG XIAN DISTRICT, SHANGHAI, CHINA POST CODE 201419
上海科勒有限公司 上海市奉贤区民乐路368号 邮编: 201419

Important Information

- Please observe local plumbing code.
- Please read these instructions carefully to familiarize yourself with the required tools, materials, and installation sequences. Follow the sections that pertain to your particular installation. This will help you avoid costly mistakes. In addition to proper installation, read all operating and safety instructions.
- All information is based on the latest product information available at the time of publication. Kohler Co. reserves the right to make changes in product characteristics, packaging, or availability at any time without notice.
- These instructions contain important care, cleaning, and warranty information-**please leave these instructions to customers for future reference.**
- Uncrate and inspect bath for damage. Leave all materials in carton prior to fixture construction to prevent damage or component from missing.
- Warranty does not cover damage to bath caused in transit or installation.

Installation Requirements

A. Tools Required

- Adjustable pipe wrench
- Rule
- Level
- Safety shoes
- Safety glasses
- Square
- Pliers
- Utility knife

B. Materials Required

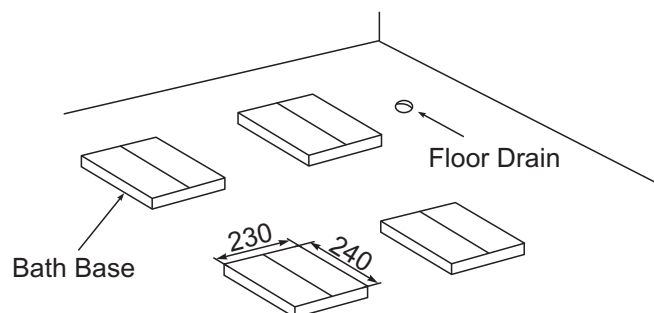
- Plumbers putty
- Wall coverings, as necessary
- Silicone sealant
- Gypsum cement (optional)
- Construction adhesive (optional)
- Protective covering for bathtub
- Nails

Before You Begin

A. Subfloor Preparation

Check the flooring under the bath. **Make sure the subfloor is level. It is strongly recommended to prepare waterproof layer for the subfloor!**

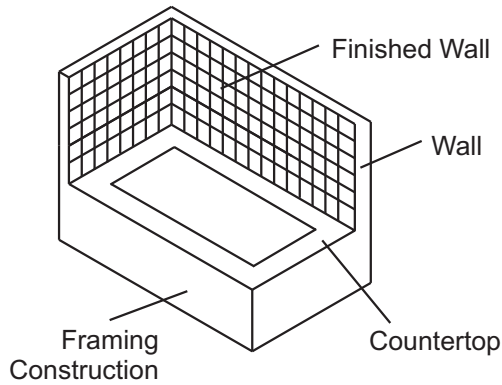
It is strongly recommended to construct bath base depending on the feet position of your bath. And the base shall be larger than 240 × 230mm. The base height shall depend on the chosen drain.



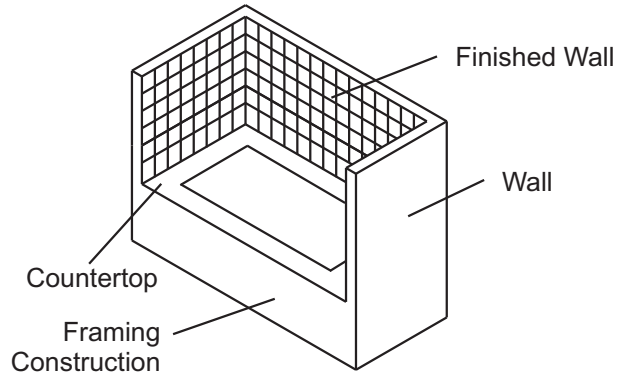
B. Bath Area Construction Preparation

Possible framing arrangements are illustrated below. Use the framing construction appropriate for your particular bath model. Some modifications may be needed for other types of construction, if preferred.

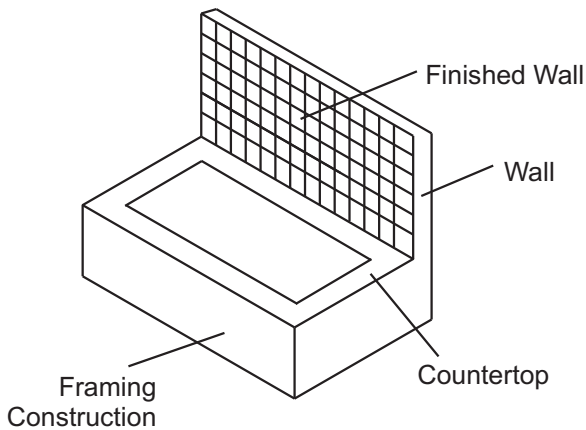
1). Corner Installation



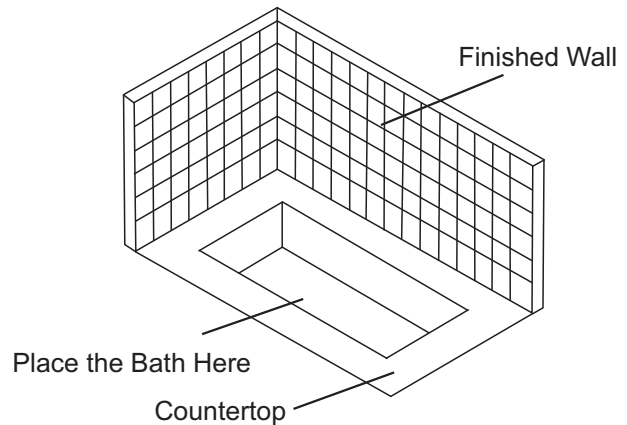
2). Recessed Installation



3). Peninsular Installation



4). Sunken Installation



C. Countertop Preparation

Prepare the countertop as per bath outline. Which defines the required dimensions.

D. Plumbing Preparation

Position inlet supplies and outlet supplies according to rough-in dimensions. Cap the supplies and check for leaks.

E. Other Preliminary Work

NOTE: The protective film must be removed from around the waste outlet, overflow and water fender prior to installation in order to make a watertight seal at these points possible.

NOTE: Position a protective covering or similar material in the bottom of the unit. Be careful not to scratch the bath surface.

DRILLING: Small holes can be drilled with a twist drill, but the cutting edge **MUST** be backed off with an oil stone (the sharp edge dulled). Large holes must be drilled with a hole saw. Maximum drill size-12mm. Drill speeds-6mm x 1800 RPM-12 mm x 900 RPM.

NOTE: Always drill from acrylic surface.

CUTTING: If for any reason the acrylic requires cutting, use a fine tooth hacksaw and proceed with caution. Edges can be smoothed with a second-cut file and medium-fine sandpaper. If the surface of the acrylic should happen to be damaged, it can be restored by polishing with an abrasive cleaner . Deep scratches can be removed by rubbing with 600 grade wet & dry

Install Fixture and Accessories

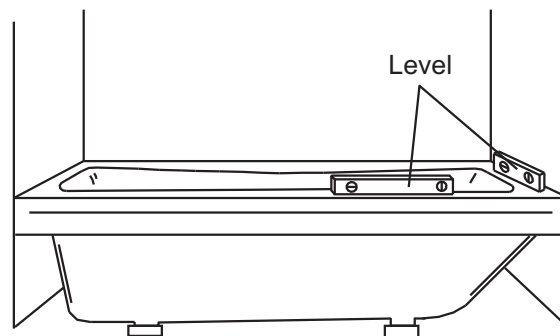
A. Accessory Installation

Please install such accessories (if any) as grip, drain, pillow or towel holder before bath installation. See separate accessory installation instructions for accurate method.

Note: Drain access must be installed near drain for future maintenance.

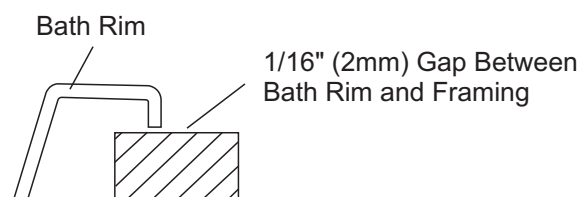
B. Bath Set-In

NOTE: Apply a generous amount of fine construction mortar, or similar material, to the support feet and any shims used. Set the bath into the installation. Make sure the unit is horizontally and vertically level, and is resting on all support feet.



Note: Use adjustable feet (if any) to adjust the bath to level.

⚠ WARNING: Do not hang the bath by the rim. Bath rim is shown in the right figure.



C. Install the Plumbing

Note: Avoid damage to the bath bottom and floor as much as possible. Make waterproof treatment to all outlet connections!

1). Install the faucet and fittings. Open the hot and cold water valves, and check the supply connections for leaks.

Note: An access panel will simplify future maintenance.

2). Fill water into the bath and let it discharged to check the drain connections for leaks.

3). When the bath is securely positioned, connect the drain to the trap. See Fig. A. B.C.D

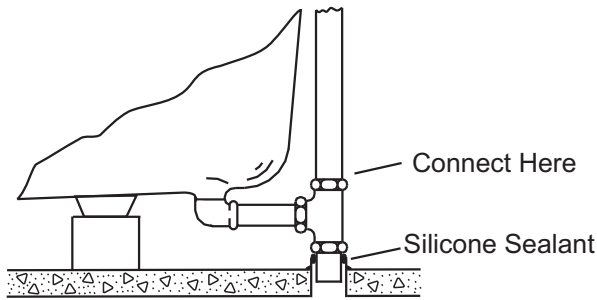


Fig.#A

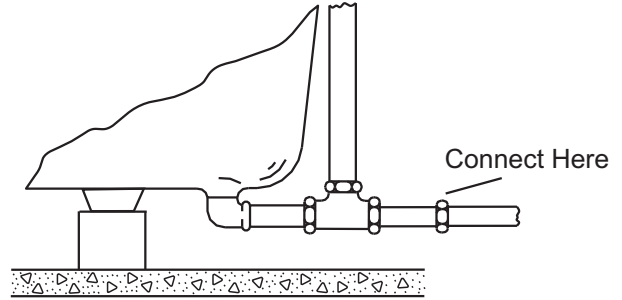


Fig.#B

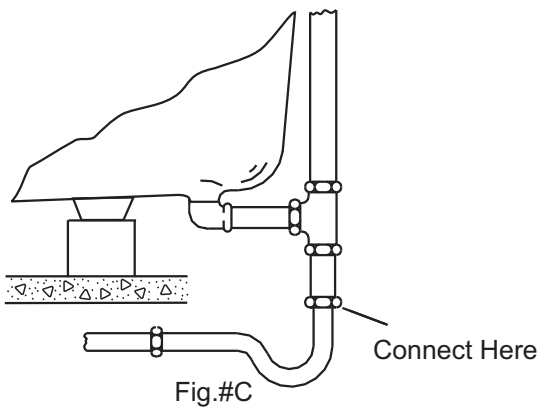


Fig.#C

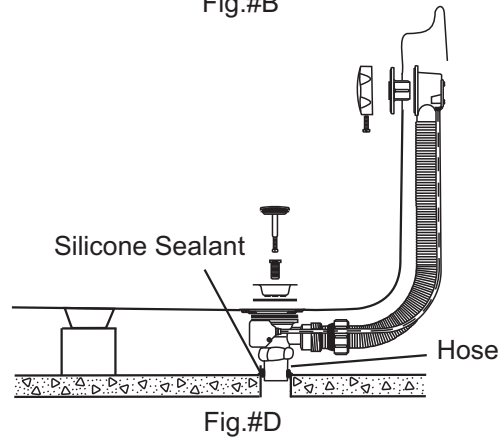
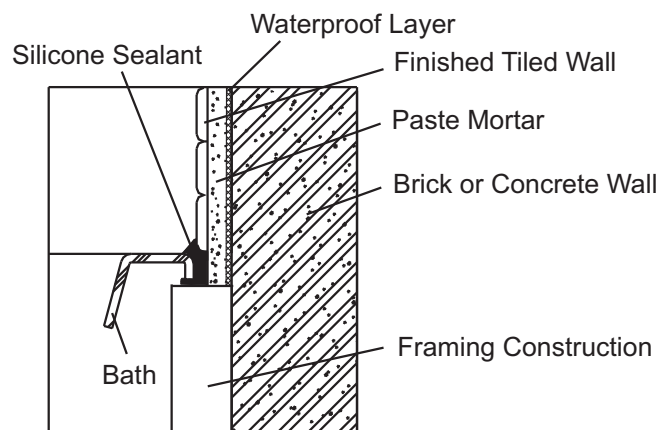
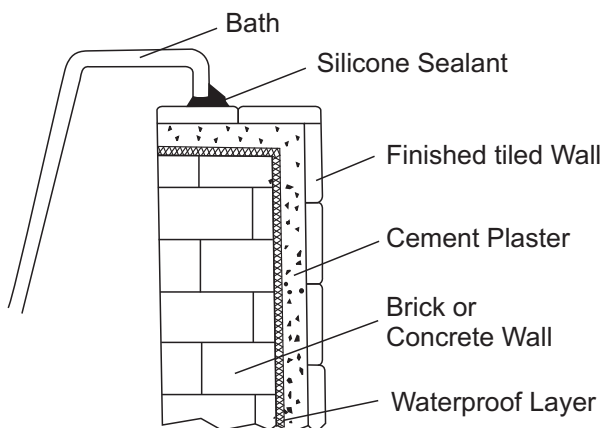


Fig.#D

Complete Finished Wall

Complete decoration, such as sticking the tile or marble into place.

It is strongly recommended to use sealant that has been hardened under room temperature.



Clean-up After Installation

When cleaning up after installation, do not use abrasive cleansers as they may scratch and dull the surface. Use warm water and liquid, non-abrasive detergent to clean the surface.

Stubborn stains, paint, or tar can be removed with mineral spirits. Do not use cleaners containing solvent. Plaster can be removed by scraping with wood edge. Do not use metal scrapers, wire brushes, or other metal tools. One of the powder type detergents may be used on a damp cloth to provide mild abrasive action to the residual plaster.

Cleaning and Care

Cleaning Acrylic Surfaces: Do not use abrasive cleansers on any acrylic surfaces, as they will scratch and dull the surface. Wipe out the bath after each use to prevent a build-up of soap and scum.

If the acrylic surface becomes dull, an automotive type rubbing compound *may be used on the unit, followed by an application of paste wax.

*We recommended:

Rubbing compound mequiars mirror glaze 28 metal polish (import product) or "green oil".

重要信息

- 请遵守当地的卫生管道施工规范。
- 请仔细阅读此说明书以熟悉所需要的工具、材料及安装顺序。遵循适合您的特定安装要求的各项内容，避免昂贵的损失。除了要正确安装外，还应阅读操作及安全说明。
- 所有的资料是按最新发布的产品资料编写而成。科勒公司保留任何时候无须通知即可改变产品特性、包装或产品可供类型的权利。
- 说明书包括重要的安装、清洁及保养方面的内容，**请将说明书交给用户妥善保管以备将来查询。**
- 打开包装箱并检查浴缸是否损坏。未安装浴缸时将所有的材料都留在箱内，以防止损坏或零件丢失。
- 搬运或安装过程中所造成的损坏，不能获得保修。

安装要求

A. 所需工具

- 管道扳手
- 刻度尺
- 水平仪
- 安全鞋
- 安全眼镜
- 直角尺
- 钳子
- 多用工具刀

B. 所需材料

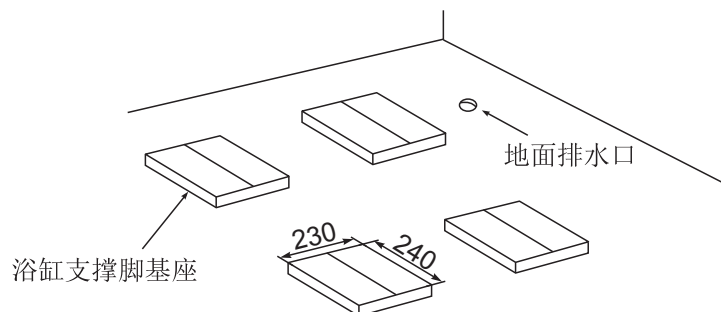
- 管道用油灰
- 墙面保护罩(如需要)
- 密封硅胶
- 石灰水泥(选用)
- 建筑粘胶(选用)
- 浴缸保护套
- 钉子

安装之前

A. 底层地面的准备

检查浴缸下的地面，请确保底层地面水平，对底层地面做防水处理。

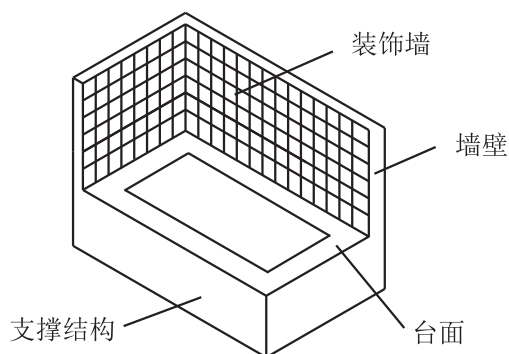
建议：砌好专门安放浴缸的基座，该基座尺寸不得小于240×230mm。位置视所购买浴缸脚的位置而定。高度应视采用的排水而定。如下图：



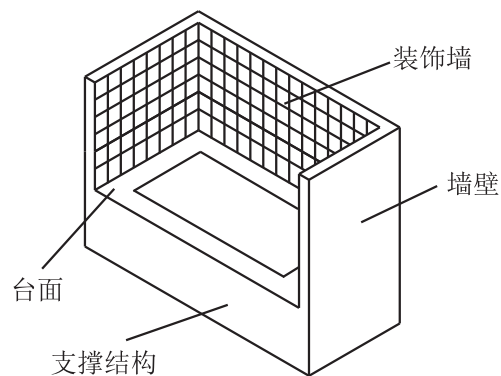
B. 浴缸支撑结构的准备

下图所示为几种常用的支撑结构，请采用适合您的浴缸型号的结构。对不同的支撑结构方式，也许有必要进行适度调整。

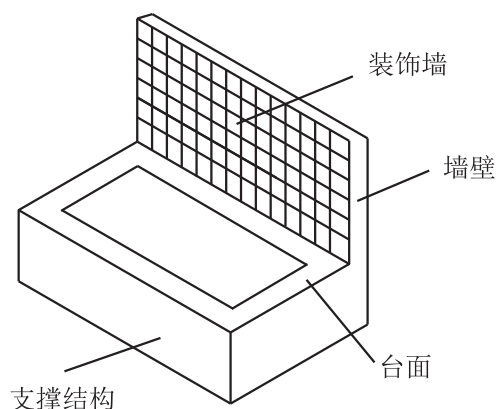
1). 墙角安装



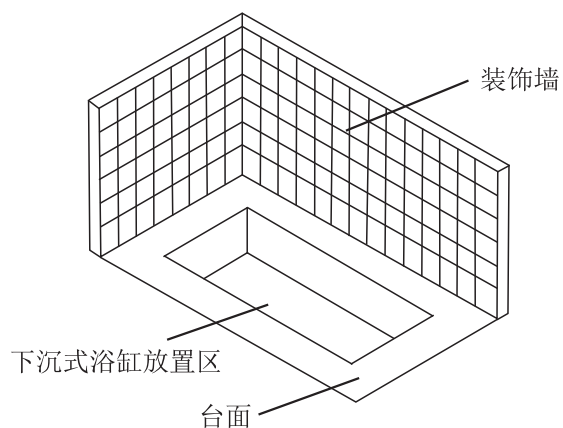
2). 三面靠墙安装



3). 单面靠墙安装



4). 下沉式安装



C. 台面的准备

根据浴缸的外形准备台面。如果有切割图，请按切割图制备台面，这将提供您安装所需的切割尺寸。

D. 管道的准备

将进水管道和排水管道按安装尺寸排布，检查供水管是否漏水。

E. 其他准备

注意：安装前，必须去除排水口、溢水口及挡水边四周的防护膜，以便进行防水密封处理。

注意：在浴缸表面盖上保护套或类似的材料，小心不要划伤浴缸表面。

钻孔：可用一麻花钻头钻小孔，但切削刃必须用一块油石磨钝。大孔须用孔钻加工。麻花钻头的最大尺寸为12mm，速度为6mmx1800转/分至12mmx900转/分。

注意：钻孔要从压克力表面钻向浴缸背面。

切割：如果因故需要切割压克力，请用优质齿型钢锯仔细切割。边缘可用一旧锉刀及中等砂纸磨平。如果压克力表面受损，可用磨蚀性清洁剂抛光，将其恢复。深度刮伤可用600号水砂纸磨平，然后抛光。

安装浴缸和配件

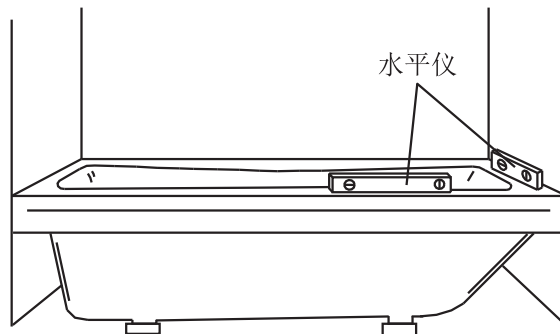
A. 安装配件

如浴缸有其他配件如扶手，排水或枕头、毛巾架等，请在安装浴缸之前进行安装。具体安装方法请见其单独的安装说明书。

注意：必须在靠近排水的位置设置检修门以便维修。

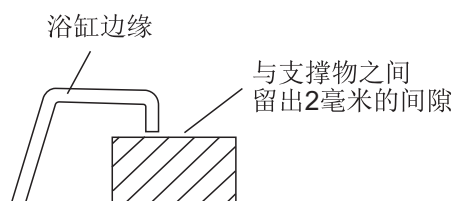
B. 放置浴缸

注意：在支脚和垫片上涂足够量的泥灰浆或类似材料，将浴缸放入安装位置。确保浴缸长度方向和宽度方向均水平放置，并且所有重量都均匀地承载在支脚上。



注意：如果浴缸有调整脚，请使用调节脚调整水平。

⚠ 警告：不要靠边缘将浴缸悬挂。浴缸边缘如右图。



C. 安装卫生管道

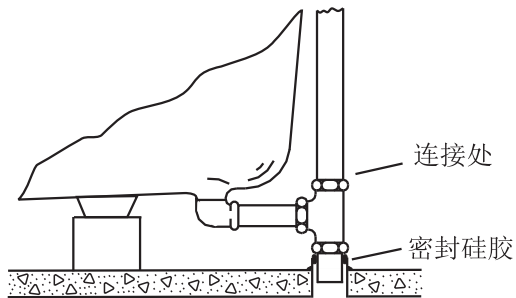
注意：避免损坏浴缸底部和地面，浴缸的所有排水接口都要确保做好防渗处理。

1). 安装水龙头及配件。打开冷水及热水阀门，检查所有给水管接头是否有渗漏。

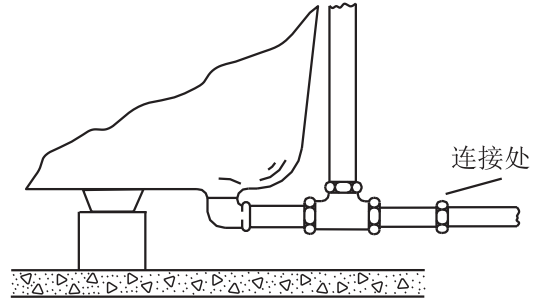
注意：为方便以后维修，一定要安装一个检修门。

2). 让水流入浴缸然后放水，检查排水配件接头是否有渗漏。

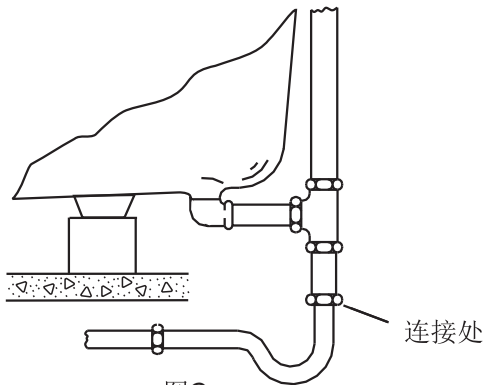
3). 当浴缸固定到位后，将排水管与存水弯相接，如图A、B、C、D。



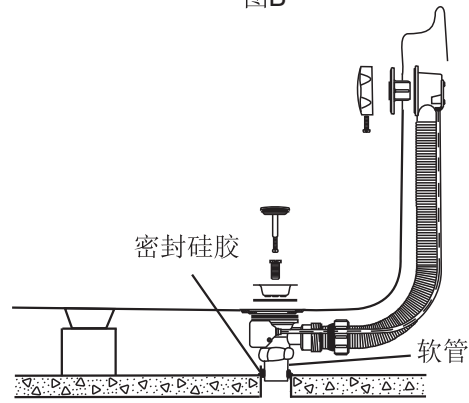
图A



图B



图C

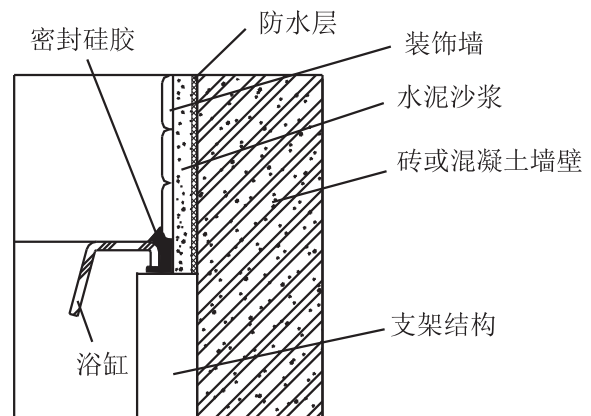
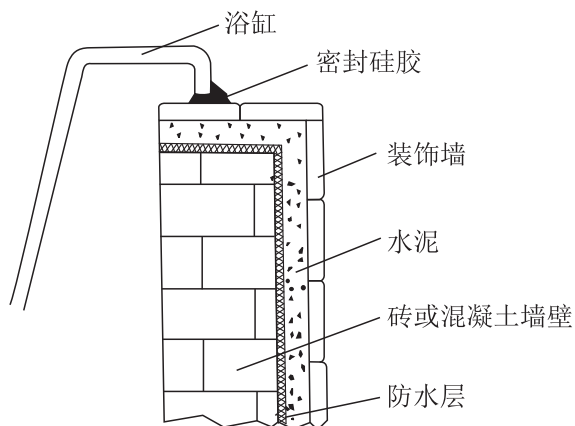


图D

完成墙壁装修

完成墙壁贴面(如瓷砖或大理石贴面)。

建议：使用常温下硬化的密封胶。



完工清理

在安装完成后进行清理时，请勿使用磨损性的清洁用具，以免擦伤浴缸表面，使其失去光泽。使用温水和非腐蚀性的液体清洁剂，清洗浴缸表面。

难以清除的污迹、油漆、或柏油，可用酒精擦净。请不要让含有溶剂的清洁剂。滞留水泥可用薄木刀刮掉。请不要使用金属刮刀，钢丝刷，或其它金属工具。对残留的水泥浆，可用湿布粘些洗衣粉，以提供轻微的研磨作用。

清洁和保养

清洗亚克力表面：请勿在亚克力表面使用磨损性的清洁用具，以免擦伤浴缸表面，使其失去光泽。每次使用后，将浴缸擦干，以防止肥皂和污垢沉积。

若亚克力表面失去光泽，先用汽车抛光剂*，然后再用粗腊打亮。

*我们推荐使用以下2种抛光剂：

- ① Mequiars 镜面光亮28金属上光剂。(进口)
- ② 抛光膏(绿油)。