

**BEFORE YOU BEGIN**

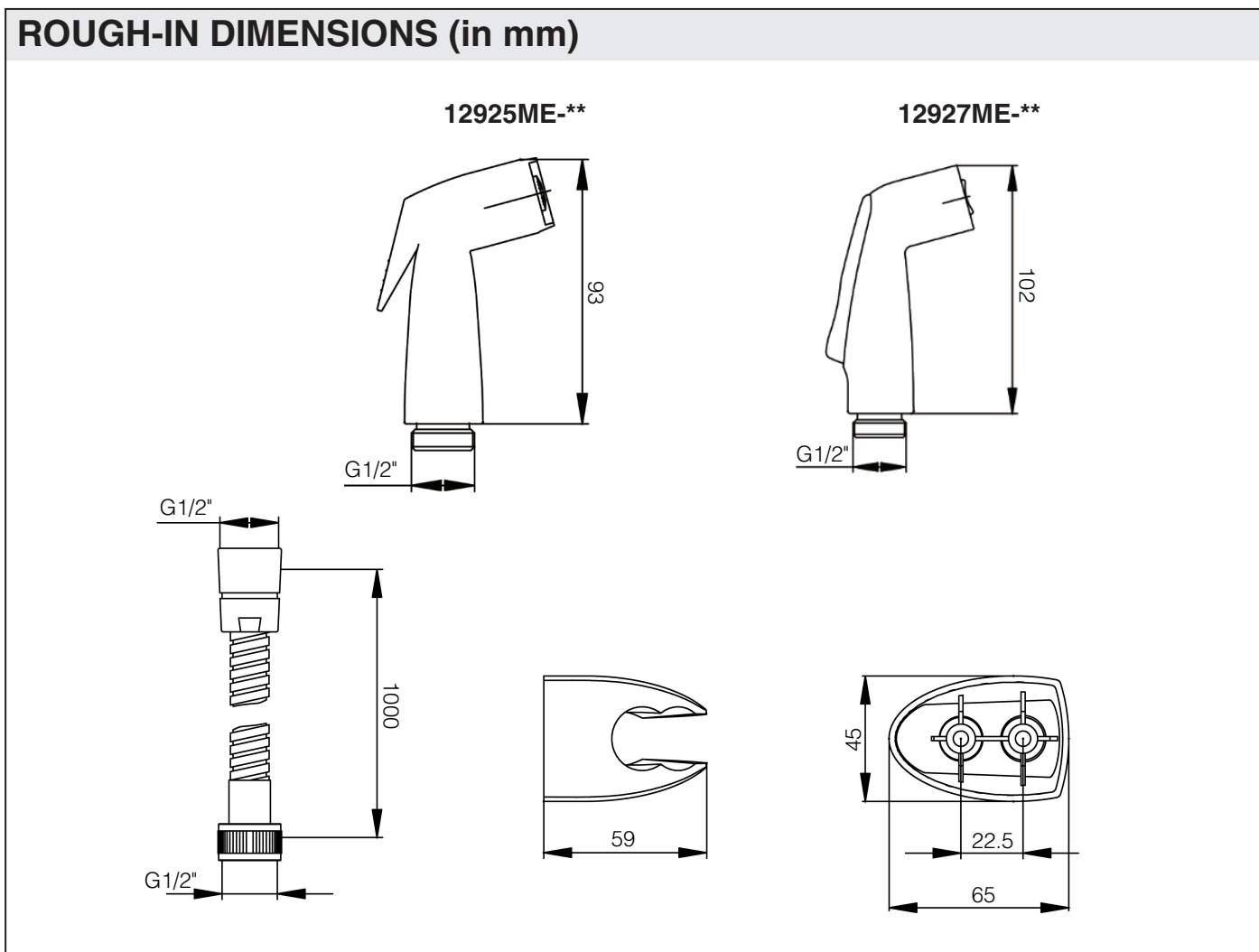
All information is based on the latest product information available at the time of publication. Kohler Co. reserves the right to make changes in product characteristics, packaging, or availability at any time without notice.

Please leave these instructions for the consumer. They contain important information.

**NOTES:**

1. Flush the water supply pipes thoroughly to remove debris.
2. The highest working pressure for hand spray is 0.5Mpa(5 bars). If exceeds 0.5Mpa(5 bars), a pressure reducer is needed. The highest water and environment temperature is 80° C. Please keep handspray away from heater, or maybe damage it and hurt user.

\* Finish/color code to be specified while ordering.

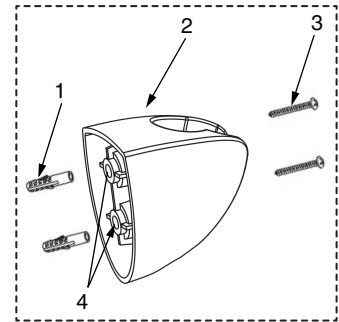


# INSTALLATION INSTRUCTIONS

## How To Install The Bracket

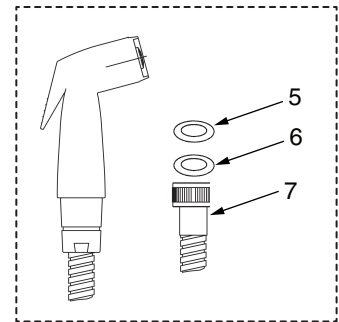
Select a location on the vertical wall within reach of the shower hose.

Mark bracket(2) mounting hole loactions on the wall according the bracket holes(4). Drill two holes in the finished wall as required. Press the anchors(1) into the holes. Tighten screws(3) to secure bracket.

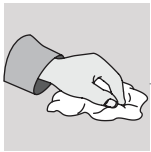


Put the flow regulator(5) and washer(6) into the end of hose(7) and connect to the water supply.

Hang the handspray on the bracket.



# CLEANING INSTRUCTIONS



# SERVICE PARTS

