



VEIL 维亚
 INSTALLATION INSTRUCTION
 安装说明书
 FLOOR STANDING TOILET
 釉面陶瓷落地座便器
 K-20168T-SL-CG1/K-20798T-S/K-20798T-SL/K-20799T-S
 K-21297K-S/K-21297K-SL/K-32779T-ZZ/K-21564T-GS
 K-23098T-CPS/K-23097T-CPS

BEFORE YOU BEGIN **安装之前**

- Please read these instructions carefully to familiarize yourself with the required tools, materials, and installation sequences. Follow the sections that pertain to your particular installation. This will help you avoid costly mistakes. In addition to proper installation, read all operating and safety instructions.
- All information in these instructions is based upon the latest product information available at the time of publication. Kohler China reserves the right to make changes in product characteristics, packaging, or availability at any time without notice.
- These instructions contain important care, cleaning, and warranty information - **please leave instructions for the consumer.**
- Fixture dimensions are nominal and conform to tolerances established by ASME Standards (A112.19.2-2018).
- This product complies with Q/KCI-006-2018 and GB 25502-2017.
 Water Efficiency Grade 1 for K-20168T-SL-CG1/K-20798T-S/K-20798T-SL/K-20799T-S/K-21297K-S/K-21297K-SL/K-32779T-ZZ/K-23098T-CPS/K-23097T-CPS.
 Water Efficiency Grade 2 for K-21564T-GS.

- 请小心详阅本指引。以便熟悉所需工具、材料及安装程序。请遵照适用的章节来安装你的座便器，以避免由于安装不当而导致不必要的损失。除了有关正确的安装方法之外，还务请详阅所有操作及安全指引。
- 本指引所载之一切资料，均以印刷时所有之最新产品情况为基础，科勒中国保留权利随时更改产品特性、包装或供应情况，恕不另行通知。
- 本指引也包含了有关护理、清洁及保养等重要资料 - 请交予用户保存。
- 部件尺寸为标定值，误差符合美国ASME标准(A112.19.2-2018)。
- 本产品符合Q/KCI-006-2018及GB 25502-2017。
 K-20168T-SL-CG1/K-20798T-S/K-20798T-SL/K-20799T-S/K-21297K-S/K-21297K-SL/K-32779T-ZZ/K-23098T-CPS/K-23097T-CPS水效等级1级。
 K-21564T-GS水箱等级2级。

ORDERING INFORMATION

MING Toilet-Chinese Ink GrayK-20168T-SL-CG1
 Includes VEIL FS ToiletK-20706T
 Includes MING Tank With Cabinet-
 Chinese Ink GrayK-20707T-CG1
 Includes REACH Slim Quiet-Close Toilet Seat...K-77471T
 Includes Plastic Trap Way1249428
 VEIL WF Toilet W/SC ST
 (HT300 P, 3/4.5).....K-20798T-S
 Includes 3/4.5L HT300 PNE IWT W/O F
 (VEIL WF).....K-78077T-VLS-NA
 Includes VEIL FS ToiletK-20706T
 Includes SAILE QC Toilet Seat,
 Hidden Hinge Base.....K-4141T
 Includes P-Trap for Optional Wall Installation.....1036901

订购信息

明仕座便器-水墨烟灰K-20168T-SL-CG1
 含维亚落地式座便器缸体K-20706T
 含明仕座便器水箱柜-
 水墨烟灰.....K-20707T-CG1
 含瑞琦超薄缓降座便器盖板.....K-77471T
 含塑料弯管组件.....1249428
 维亚落地式座便器带缓降盖板
 (海德丽300气动水箱, 3/4.5L).....K-20798T-S
 含3/4.5升海德丽300 气动 无框架入墙式隐藏水箱
 (维亚落地).....K-78077T-VLS-NA
 含维亚落地式座便器缸体K-20706T
 含现代加长型缓降座便器盖板
 (净雅版)K-4141T
 含墙排水排污管.....1036901

No.2 KOHLER ROAD, SANSHUI CENTRAL INDUSTRIAL PARK, LEPING TOWN, SANSHUI DIST., FOSHAN, GUANGDONG, PRC POST CODE: 528137
 广东省佛山市三水区乐平镇三水中心工业园区科勒大道2号 邮编: 528137

8# MENGSHAN RD, ECONOMIC DEVELOPMENT ZONE OF HUANTAI, ZIBO, SHANDONG, CHINA POST CODE: 256410
 山东省淄博市桓台经济开发区蒙山路8号 邮编: 256410

NO.1 KOHLER STREET, ECONOMIC DEVELOPMENT ZONE OF FAKU COUNTY, SHENYANG LIAONING PROVINCE, PRC POST CODE: 110400
 辽宁省沈阳市法库经济开发区科勒大街1号 邮编: 110400

VEIL WF Toilet W/SL ST (HT300 P, 3/4.5).....K-20798T-SL	维亚落地式座便器带薄盖板 (海德丽300气动水箱, 3/4.5L).....K-20798T-SL
Includes 3/4.5L HT300 PNE IWT W/O F (VEIL WF).....K-78077T-VLSL-NA	含3/4.5升海德丽300 气动无框架入墙式隐藏水箱 (维亚落地).....K-78077T-VLSL-NA
Includes VEIL FS ToiletK-20706T	含维亚落地式座便器缸体K-20706T
Includes REACH Slim Quiet-Close Toilet Seat...K-77471T	含瑞琦超薄缓降座便器盖板.....K-77471T
Includes P-Trap for Optional Wall Installation.....1036901	含墙排水排污管.....1036901
VEIL WF Toilet W/SC ST (HT300 M, 3/4.5).....K-20799T-S	维亚落地式座便器带缓降盖板 (海德丽300机械水箱, 3/4.5L).....K-20799T-S
Includes 3/4.5L HT300 IWT W/O F (VEIL WF).....K-10611T-VLS-NA	含3/4.5升 海德丽300 无框架入墙式隐藏水箱 (维亚落地).....K-10611T-VLS-NA
Includes VEIL FS ToiletK-20706T	含维亚落地式座便器缸体K-20706T
Includes Saile QC Toilet Seat, Hidden Hinge Base.....K-4141T	含现代加长型缓降座便器盖板 (净雅版)K-4141T
Includes P-Trap for Optional Wall Installation.....1036901	含墙排水排污管.....1036901
VEIL FS Toilet W/ Soft Close SeatK-21297K-S	维亚落地式座便器含加长缓降盖板K-21297K-S
Includes VEIL FS Toilet BowlK-20706K	含维亚落地式座便器缸体K-20706K
Includes Saile QC Toilet Seat, Hidden Hinge Base.....K-4141T	含现代加长型缓降座便器盖板 (净雅版)K-4141T
Includes P-Trap for Optional Wall Installation.....1036901	含墙排水排污管.....1036901
VEIL FS Toilet W/ Slim SeatK-21297K-SL	维亚落地式座便器含超薄缓降盖板K-21297K-SL
Includes VEIL FS Toilet BowlK-20706K	含维亚落地式座便器缸体K-20706K
Includes REACH Slim Quiet-Close Toilet Seat...K-77471T	含瑞琦超薄缓降座便器盖板.....K-77471T
Includes P-Trap for Optional Wall Installation.....1036901	含墙排水排污管.....1036901
VEIL WF TOILET W/O ST (HT201 P, 3.5/5.0L).....K-32779T-ZZ	维亚落地式座便器无盖板 (海德丽201气动水箱, 3.5/5.0升).....K-32779T-ZZ
Includes HT 201 PNE IWT W/O F 3.5/5.0L (VEIL WF)K-25443T-ZZ	含海德丽201气动无框架入墙式隐藏水箱3.5/5.0升 (维亚落地)K-25443T-ZZ
Includes VEIL FS Toilet.....K-20706T-ZZ	含维亚落地式座便器缸体.....K-20706T-ZZ
Includes P-Trap for Optional Wall Installation.....1036901	含墙排水排污管.....1036901
VEIL WF Toilet W/SL ST (Beam M FV, 4.5)K-21564T-GS	维亚落地式座便器带缓降盖板 (柏明手动冲水阀, 4.5L).....K-21564T-GS
Includes VEIL WF Toilet W/SC STK-21855T-GS	含维亚加长型缸体(柏明手动冲洗阀)K-21855T-GS
Includes Saile QC Toilet Seat, Hidden Hinge Base.....K-4141T	含现代加长型缓降座便器盖板 (净雅版)K-4141T
Includes Gest Manual Toilet Flush Valve 4.5L.....K-77681K-G	含座便器 冲水阀.....K-77681K-G
Includes P-Trap for Optional Wall Installation.....1036901	含墙排水排污管.....1036901
VEIL WF Toilet W/SC (Beam SR A/CP, 3/4.5).....K-23098T-CPS	维亚落地式座便器带缓降盖板 (柏明感应器 交流, 3/4.5L).....K-23098T-CPS
Includes VEIL WF Toilet W/SC.....K-23099T-APS	含维亚加长型缸体(柏明感应器 交流)K-23099T-APS
Includes BEAM Toilet Sensor (3/4.5 & 3/6L, AC).....K-30948T-CP	含柏明座便器感应器 (3/4.5L & 3/6L, 交流).....K-30948T-CP
Includes Saile QC Toilet Seat, Hidden Hinge Base.....K-4141T	含现代加长型缓降座便器盖板 (净雅版)K-4141T
Includes P-Trap for Optional Wall Installation.....1036901	含墙排水排污管.....1036901
VEIL WF Toilet W/SC (Beam SR D/CP, 3/4.5).....K-23097T-CPS	维亚落地式座便器带缓降盖板 (柏明感应器 直流, 3/4.5L).....K-23097T-CPS
Includes VEIL WF Toilet W/SCK-23099T-DPS	含维亚加长型缸体(柏明感应器 直流)K-23099T-DPS
Includes BEAM Toilet Sensor (3/4.5 & 3/6L, DC)K-30947T-CP	含柏明座便器感应器 (3/4.5L & 3/6L, 直流).....K-30947T-CP
Includes Saile QC Toilet Seat, Hidden Hinge Base.....K-4141T	含现代加长型缓降座便器盖板 (净雅版)K-4141T
Includes P-Trap for Optional Wall Installation.....1036901	含墙排水排污管.....1036901

SAFETY WARNINGS

Kohler products are precision-engineered and should give continued superior and safe performance, provided:

1. They are installed, commissioned, operated and maintained in accordance with the recommendations given in this Manual.
2. Periodic attention is given, as necessary, to maintain the product in good functional order. Recommended guidelines are given in the **MAINTENANCE** section.

Carefully inspect the new fixture for any signs of damage.

When installing Kohler Products, manufacturers guidelines for power tool safety should be followed.

安全警告

科勒产品经过精确制造，性能卓越，经久耐用。为保证产品品质，您必须：

1. 按照此手册中推荐的方法进行安装、启动、操作及维护。
2. 如有需要，定期检查，令产品保持良好性能状态。日常维护章节中列有推荐方法。

仔细检查新产品是否有损伤。

在安装科勒产品时，必须遵循制造商有关电气安全的指令。

TOOLS AND MATERIALS REQUIRED (Not supplied)

- 254mm (10") adjustable wrench
- 305mm (12") pipe wrench
- Metal file (file cut)
- Tape measure
- Tubing cutter
- Level
- Hacksaw
- Putty knife
- Screwdriver
- Toilet gasket (wax seal)
- Toilet supply shut-off valve
- P-TRAP 1036901

NOTICE:

1. If the existing toilet does not have a supply shut-off valve below the tank, install one before installing the new toilet.
2. There's no need for S-trap toilet users to order P-trap 1036901.

所需工具及物料（不随货供应）

- 254mm 活动扳钳
- 305mm 喉管扳钳
- 锉刀
- 卷尺
- 切管刀
- 水平尺
- 钢锯
- 涂油灰刀
- 螺丝刀
- 座便器垫圈(蜡封)
- 座便器供水管止水阀
- P管1036901

注意：

1. 如果现有座便器的水箱下方没有止水阀，须在安装新座便器前装妥止水阀。
2. 选用地排水的用户无需订购P管1036901。

ROUGHING-IN

尺寸图

Reference Value
参考值

UNIT: mm
单位: 毫米

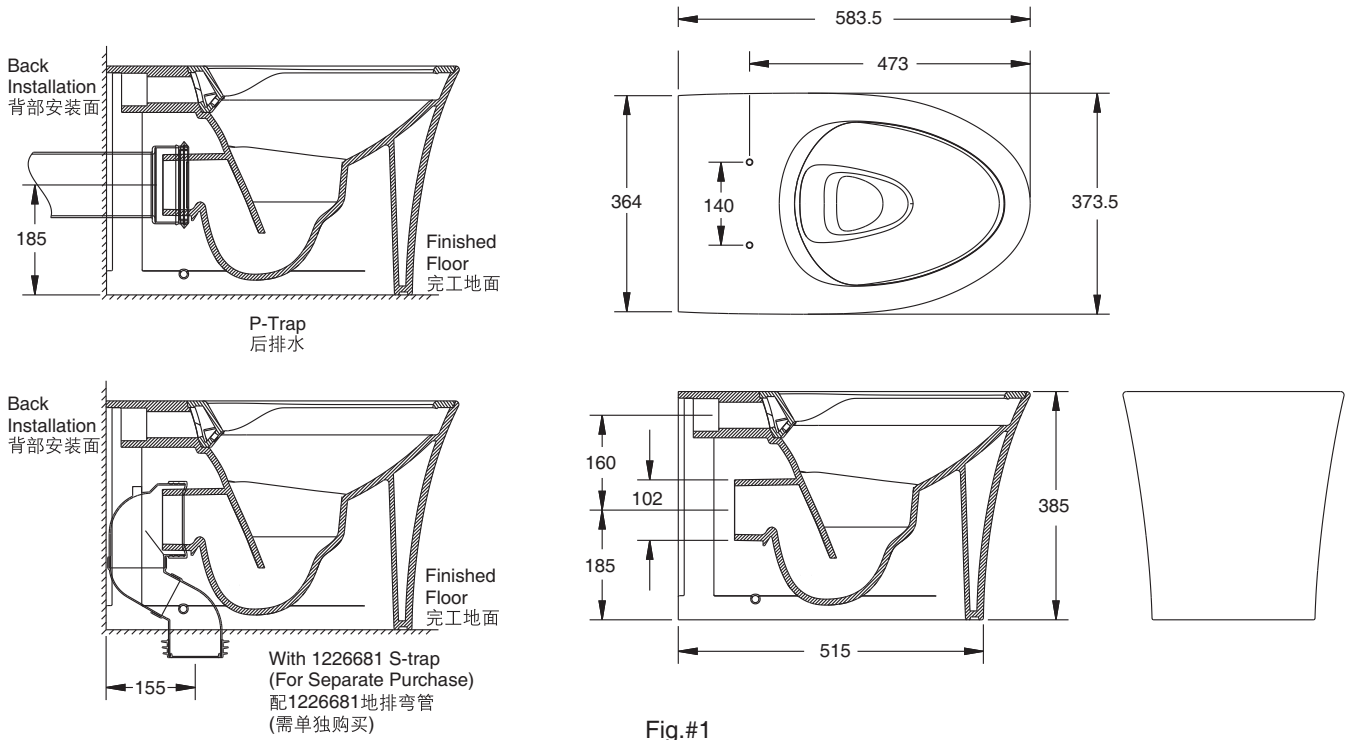


Fig.#1
图1

Kohler reserves the right to change marked dimensions without prior notice.
科勒公司保留随时变更图中标示尺寸的权利，无需另行通知。

SPECIFICATION

规格

Plumbing Connections

Recommended inlet connections are 3/8" BSP.

管道连接

建议采用3/8" BSP进水管接口。

INSTALLATION

安装

Install Flushing Mechanism

1. Install The Tank
 - 1) Turn the water supply off before installing the new toilet.
 - 2) Install the concealed tank system in wall before decorating the wall.
 - 3) Install the tank system per tank's installation instructions.
 - 4) Refer to installation instructions of in-wall tank for SKU of faceplate.
2. Install Manual Valve Or Sensor

Refer to installation instructions of manual valve or sensor for the installation of flushing mechanism.

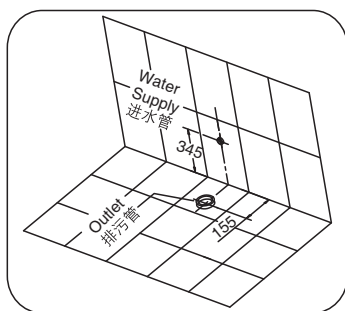
安装冲水装置

1. 隐藏式水箱的安装
 - 1) 安装新座便器前先关闭供水。
 - 2) 在装饰墙面前先将入墙式水箱系统安装入墙体内部。
 - 3) 参照水箱安装说明书完成水箱系统的安装。
 - 4) 需另配的面板型号请参考水箱说明书。
2. 安装手动阀或感应冲洗器

参照手动阀或感应冲洗器的说明书安装冲水装置。

Install The Toilet

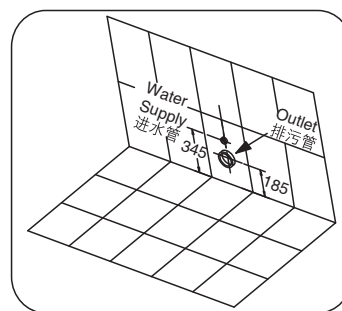
1. Install the waste outlet and water inlet as shown.



S.trap
地排水

安装座便器

1. 在安装面上安装排污管及冷水进水管，如图所示。



P.trap
墙排水

UNIT: mm
单位: 毫米

Fig.#2
图2

2. Put the bowl in position, and using a pencil, mark the position of the bowl on the floor, as shown. Mark the positions for the tank attachment bolts on the wall.

2. 首先确定安装墙面或地面排污口的中心位置和座便器左右中心的位置，并画线标识。将座便器放置到位，使安装面排污口中心线和座便器左右中心线重合，然后画线标识座便器位置。如图所示。

Caution! Make sure that you avoid hidden cables and pipes when drilling holes in the floor or wall.

小心! 在地面或墙面上钻孔时，一定要避开内设的线缆和管道。

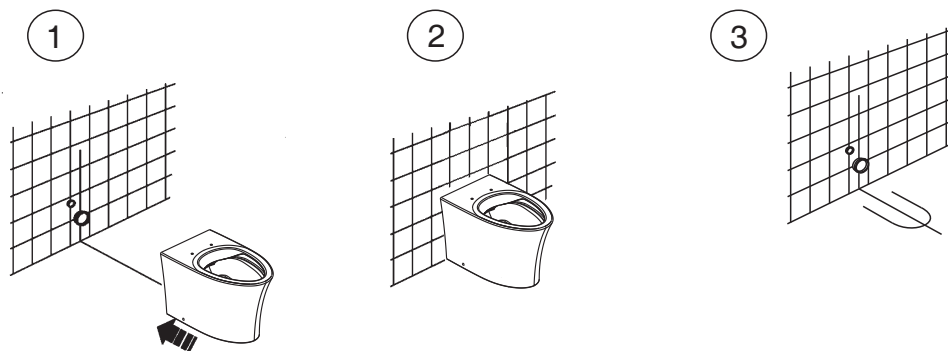


Fig.#3
图3

3. Remove the bowl. Drill the anchor bolt hole (depth \geq 38mm) in the floor with an 10mm dia. drill, install brackets.

3. 移开座便器，确定地脚孔的位置，用10毫米的钻头，钻深度不小于38毫米的地脚孔，安装支架。

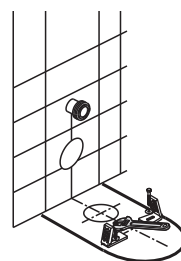
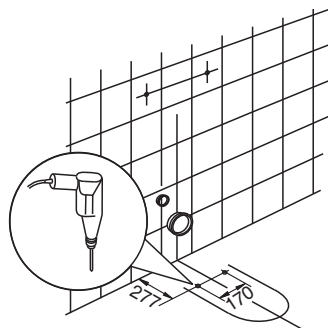


Fig.#4
图4

4. Adjust the distance between centerline of PVC waste pipe and the floor (wall) to match it consistent with marked roughing-in.

4. 依照安装地面排污口离墙距，调节确定PVC排污管软接头与座便器排污口连接的前后位置，使两者距离相一致。如图所示。

UNIT: mm
单位: 毫米

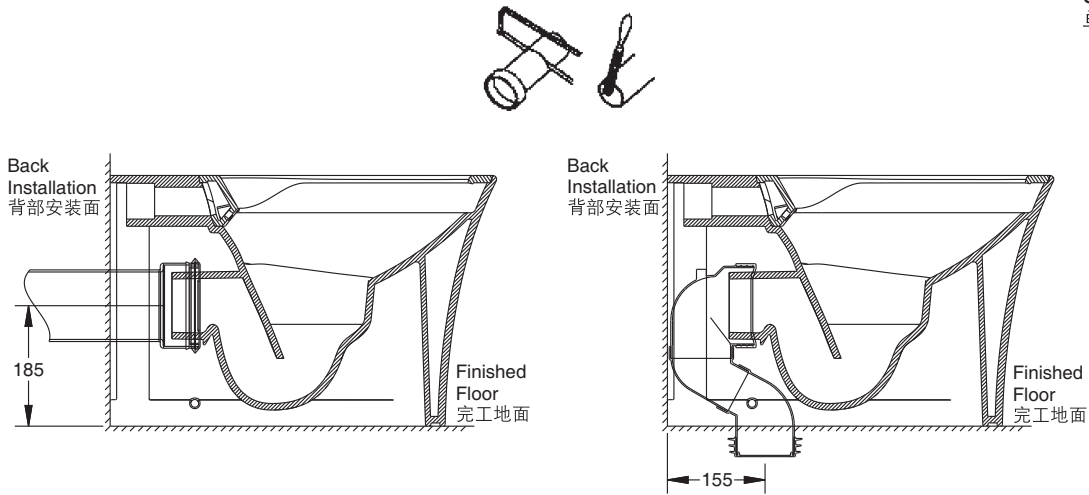


Fig.#5
图5

5. Move the toilet to the field and make sure the bottom profile matches marked line on the ground.

5. 将座便器抬放至安装位置，确保与地面的标识线相吻合。

6. Carefully thread the screws into the brackets, until toilet is secure. Alternately tighten left and right sides to prevent pulling the toilet off center. Install cap to cover screw. **Do not overtighten.**

6. 小心的将螺丝旋入支架中直到座便器完全固定。左右交替旋紧以免座便器，偏离中心。安装螺帽。

请勿过度旋紧。

NOTE: Do not use white cement or high lime content cements to install this toilet. The expansion of cement due to a rise in temperature may make the toilet crack or cause damage. Kohler is not responsible for any damage caused by installation with the use of cement.

注意：安装本座便器时切勿使用白水泥或高石灰含量之水泥，因水泥的热膨胀可能使座便器的脚部挤破或损坏。科勒对所有因水泥安装而引致的座便器破裂恕不负责。

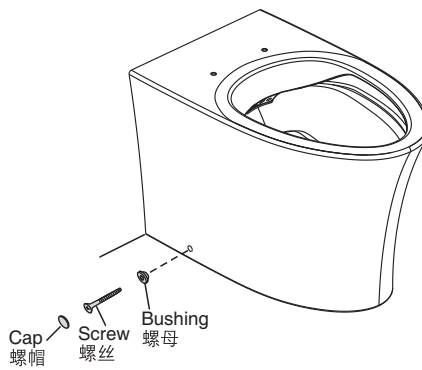














Fig.#6
图6

Cleaning

-  **Caution! Risk of product damage.** Many cleaners contain abrasive and chemical substances, and should not be used for cleaning stainless steel, enamel, plated or plastic fittings. These finishes should be cleaned using a mild washing up detergent or soap solution, rinsed and then wiped dry with a soft clean cloth.
-  **Caution! Risk of product damage.** Most toilet bowl cleaners are not harmful to the vitreous china surface of the toilet bowl. Please follow the bowl cleaner manufacturer's instructions carefully.
-  **Caution! Do not use in-tank cleaners.** Products containing chlorine (calcium hypochlorite) can seriously damage fittings in the tank. This damage can cause leakage and property damage.
-  **CAUTION: Don't use any cement while installing the toilet.** Heat expansion of the toilet may damage the feet of the toilet. Kohler will not be responsible for any damage because of using cement.
-  **WARNING: Risk of product damage.** Do not throw into the toilet what is easy to block it, such as newspaper, paper pilch, sanitary towel. Do not bump the vitreous china with great force to prevent it from damaging and leaking. Do not use the product in the water below 0°C.
-  **CAUTION:** Please do not use hard materials (like scouring pad) to clean product surface, especially the product logo.

清洁

-  **警告！小心产品受损。**许多清洁剂都含有腐蚀性及化学物质，不可用于清洁不锈钢、搪瓷、镀层或塑料制品。这些表面须使用温和的洗涤剂或皂液进行清洁，彻底冲洗，然后用干净的软布擦干。
-  **警告！小心产品受损。**大多数座便器清洁剂不会损伤其釉面陶瓷表面。请仔细遵循清洁剂使用说明书进行操作。
-  **警告！切勿使用水箱内置清洁剂。**含有氯（次氯酸钙）的清洁剂产品会严重损坏水箱内的装置。这将导致渗漏及财产损失。
-  **警告：**在安装本座便器时切勿使用任何水泥。因为水泥的热膨胀可能使座便器的脚部挤破或损坏。科勒对所有因为水泥安装而引起的座便器破裂恕不负责。
-  **警告：提防损坏产品。**请不要向便器内冲入新闻纸、纸尿裤、妇用卫生巾等容易堵塞的物品。请不要用重力撞击陶瓷，以防止破损漏水。
- 不要在0°C以下的水环境中使用。
-  **警告：**请勿使用钢丝球等硬质材料擦洗产品表面，特别是产品商标处。