

RiverBath®

5.5' Whirlpool Bath

K-1394-H2




Features

- 4 Riverjets and 8 hydromassage jets can be individually adjusted for water flow and direction.
- Two variable-speed pumps for adjusting massage intensity.
- Chromatherapy lighting allows you to select a preferred color scheme to suit your mood.
- Built-in heater.
- Lighted keypad control.
- Floating remote control.
- Spacious design accommodates multiple bathers.
- Jet trim kit (required); sold separately.
- Waterfall pillow and two removable bath pillows.



Available Colors/Finishes

Color tiles intended for reference only

Color	Code	Description
	9	White
	96	Biscuit
	47	Almond

Codes/Standards

ASME A112.19.7/CSA B45.10
 CSA B45.5/IAPMO Z124
 ASTM E162
 ASTM E662
 UL 1795
 CSA C22.2 No. 218.2

Model	K-1394-H2
Material	Acrylic
Hydrotherapy	RiverBath Whirlpool Chromatherapy
Installation	Drop-in

Required Products/Accessories

K-9398 Whirlpool Trim Kit

Recommended Products/Accessories

K-7167 2" adjustable pop-up drain | K-23726 Drain treatment | K-23732 Tub & shower cleaner

Required Electrical Service

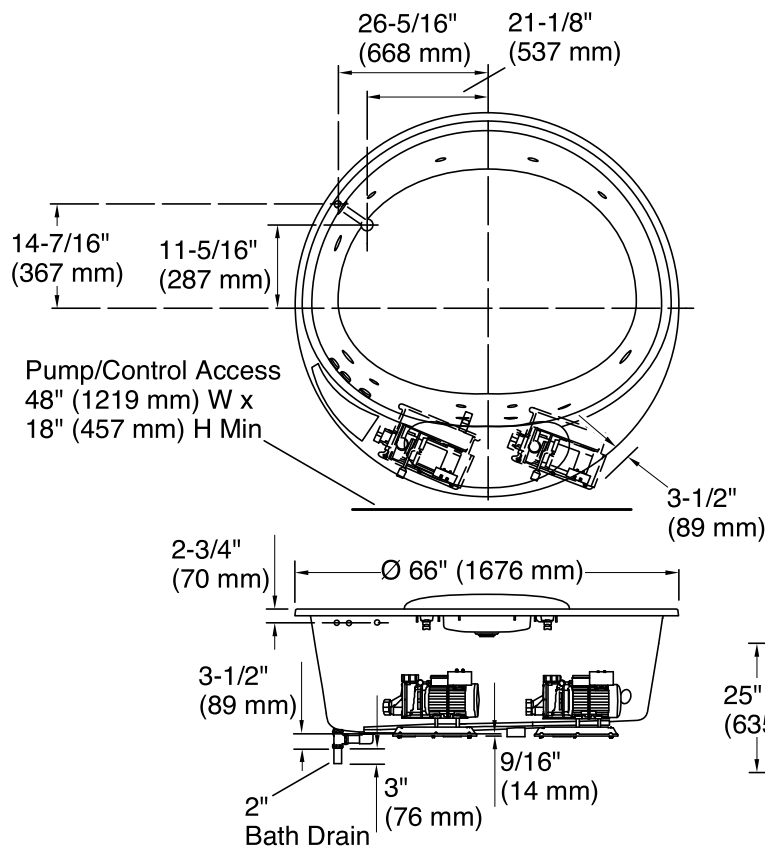
Two dedicated circuits required, protected with Class A Ground-Fault Circuit-Interrupter (GFCI). Outside North America, this device may be known as a Residual Current Device (RCD).

Pump, Pump: 240 V, 20 A, 50/60 Hz

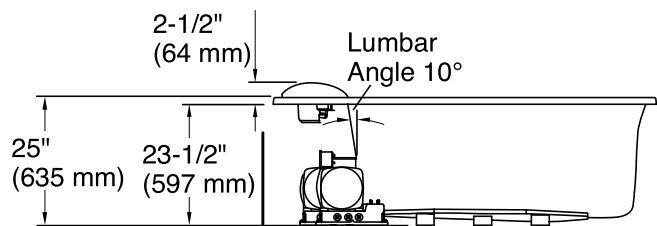
Heater: 240 V, 20 A, 50/60 Hz

Technical Information

Installation	Drop-in
Drain location	Center
Basin area, bottom	54-1/2" x 44" (1384 mm x 1118 mm)
Basin area, top	61-5/8" x 54-1/2" (1565 mm x 1384 mm)
Weight	260 lbs (117.9 kg)
Minimum floor load	54 lbs/ft ² (263.7 kg/m ²)
Water depth	19" (483 mm)
Water capacity	196 gal (741.9 L)
Template	Drop-in, 1006705-7, required, included
Electrical component rating	Pump: 240 V, 9 A, 50/60 Hz Pump: 240 V, 9 A, 50/60 Hz Heater: 240 V, 17 A, 50/60 Hz, 4000 W
Pump speed	Variable



No change in measurements if connected with drain illustrated. (K-7167)
Drop-in cut-out Ø 64-1/2" (1638 mm)
 Recommended Faucet Location



Notes

- Measure your actual product for rough-in details.
- Install this product according to the installation instructions.
- The hot water supply should be 70% of the capacity of the bath or greater. Installations will vary.
- Model allows fill valving of choice. Use the preinstalled dual fill ports or a separate fill spout if desired.
- If installing a rim-mount faucet, make sure there is no interference above or below the deck before drilling any holes.