

**Sok®**

Overflowing Effervescence Bath

**K-1188-RE-0**

**Features**

- 11 effervescence ports deliver gentle, caressing bubbles.
- Variable-speed pump for adjusting hydromassage intensity.
- Built-in heater.
- Remote control.
- Overflow channel for deep soak and unique infinity pool effect.



**Codes/Standards**

ASME A112.19.7/CSA B45.10  
 CSA B45.5/IAPMO Z124  
 ASTM E162  
 ASTM E662  
 UL 1795  
 CSA C22.2 No. 218.2

<b>Model</b>	<b>K-1188-RE-0</b>
<b>Material</b>	Acrylic
<b>Hydrotherapy</b>	Effervescence
<b>Available color</b>	White
<b>Installation</b>	Drop-in

**Required Products/Accessories**

K-7193 Bath Drain

**Recommended Products/Accessories**

K-1601 Bath/whirlpool footstop, removable | K-923 Wall- Or -Ceiling-Mount Bath Filler | K-18486-4 Roman Bath Filler  
 K-23726 Drain treatment | K-23732 Tub & shower cleaner

**Required Electrical Service**

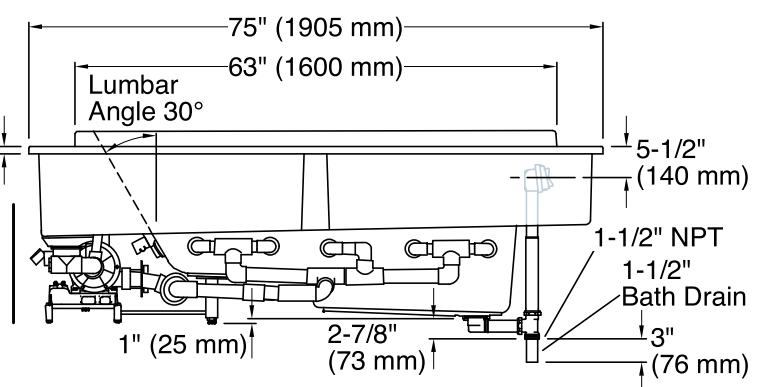
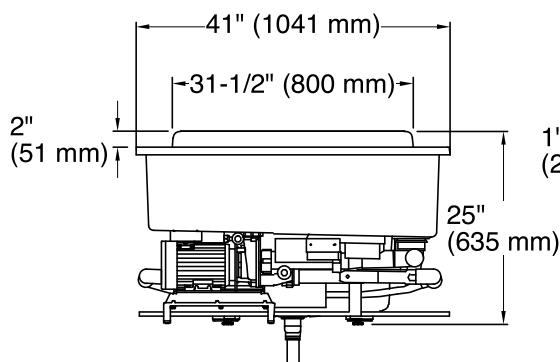
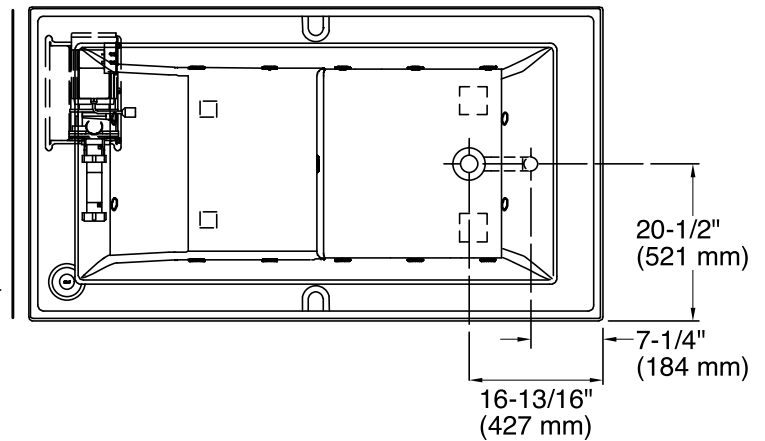
Two dedicated circuits required, protected with Class A Ground-Fault Circuit-Interrupter (GFCI).  
 Outside North America, this device may be known as a Residual Current Device (RCD).  
 Pump: 240 V, 20 A, 50/60 Hz  
 Heater: 240 V, 20 A, 50/60 Hz

## Technical Information

Installation	Drop-in
Drain location	Right
Basin area, bottom	45" x 25-1/2" (1143 mm x 648 mm)
Basin area, top	61-1/2" x 30-1/4" (1562 mm x 768 mm)
Weight	275 lbs (124.7 kg)
Minimum floor load	65 lbs/ft <sup>2</sup> (317.4 kg/m <sup>2</sup> )
Water depth	23-1/2" (597 mm)
Water capacity	142 gal (537.5 L)
Template	Drop-in, 73-1/2" x 39-1/2" (1867 mm x 1003 mm)
Electrical component rating	Pump: 240 V, 17 A, 50/60 Hz Heater: 240 V, 17 A, 50/60 Hz, 4000 W
Pump speed	Variable

No change in measurements if connected with drain illustrated. (K-7193)

Pump/Control Access  
15" (381 mm) H x 40" (1016 mm) W Min



## Notes

Measure your actual product for rough-in details.

Install this product according to the installation instructions.

The hot water supply should be 70% of the capacity of the bath or greater. Installations will vary.

Consult local and national codes for minimum air gap requirements when installing a spout on the faucet deck.

Unit must be filled through the bathing well.