

**73067T-3** Widespread Wall Mount Lavatory Faucet- Cross Handle  
**73067T-4** Widespread Wall Mount Lavatory Faucet- Lever Handle

### BEFORE YOU BEGIN

All information is based on the latest product information available at the time of publication. Kohler Co. reserves the right to make changes in product characteristics, packaging, or availability at any time without notice.

Please leave these instructions for the consumer. They contain important information.

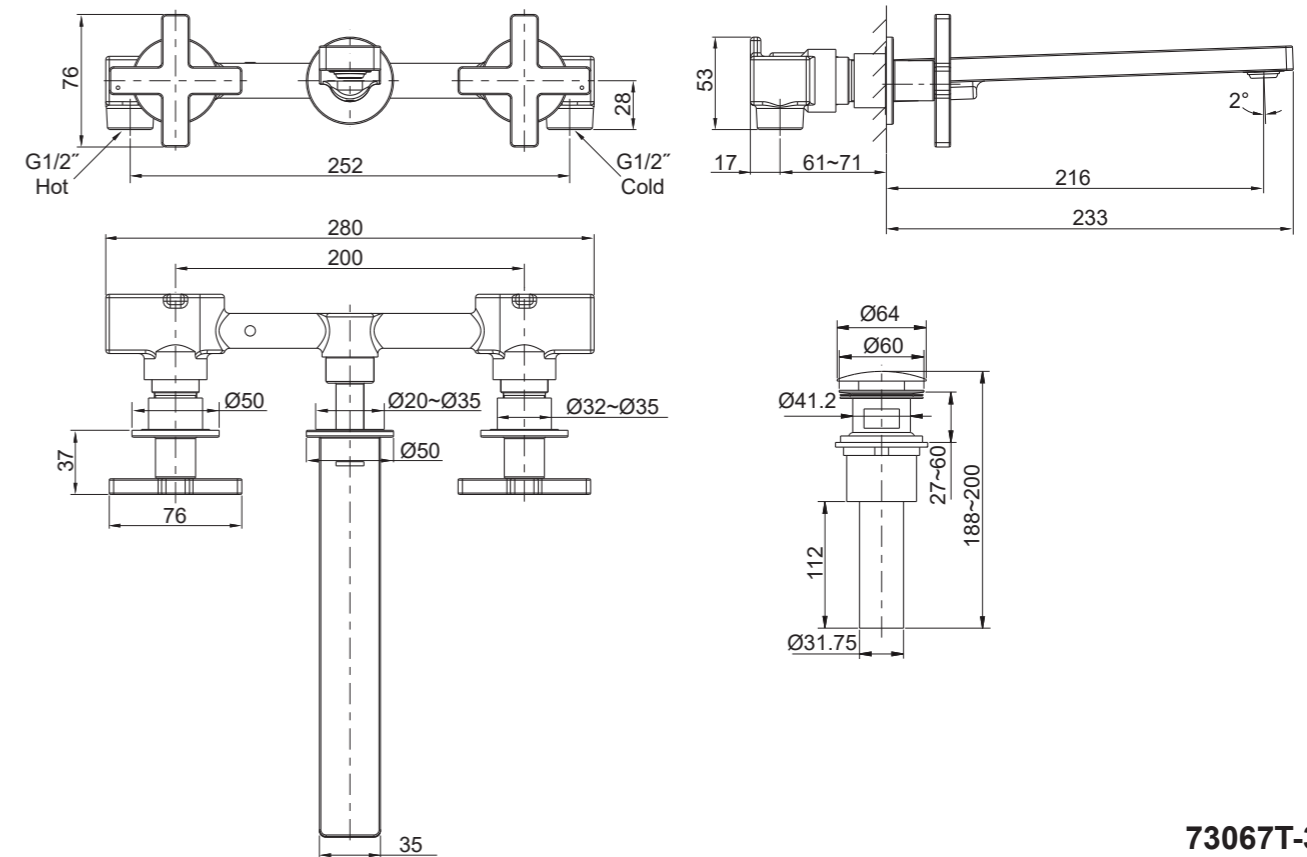
#### NOTES:

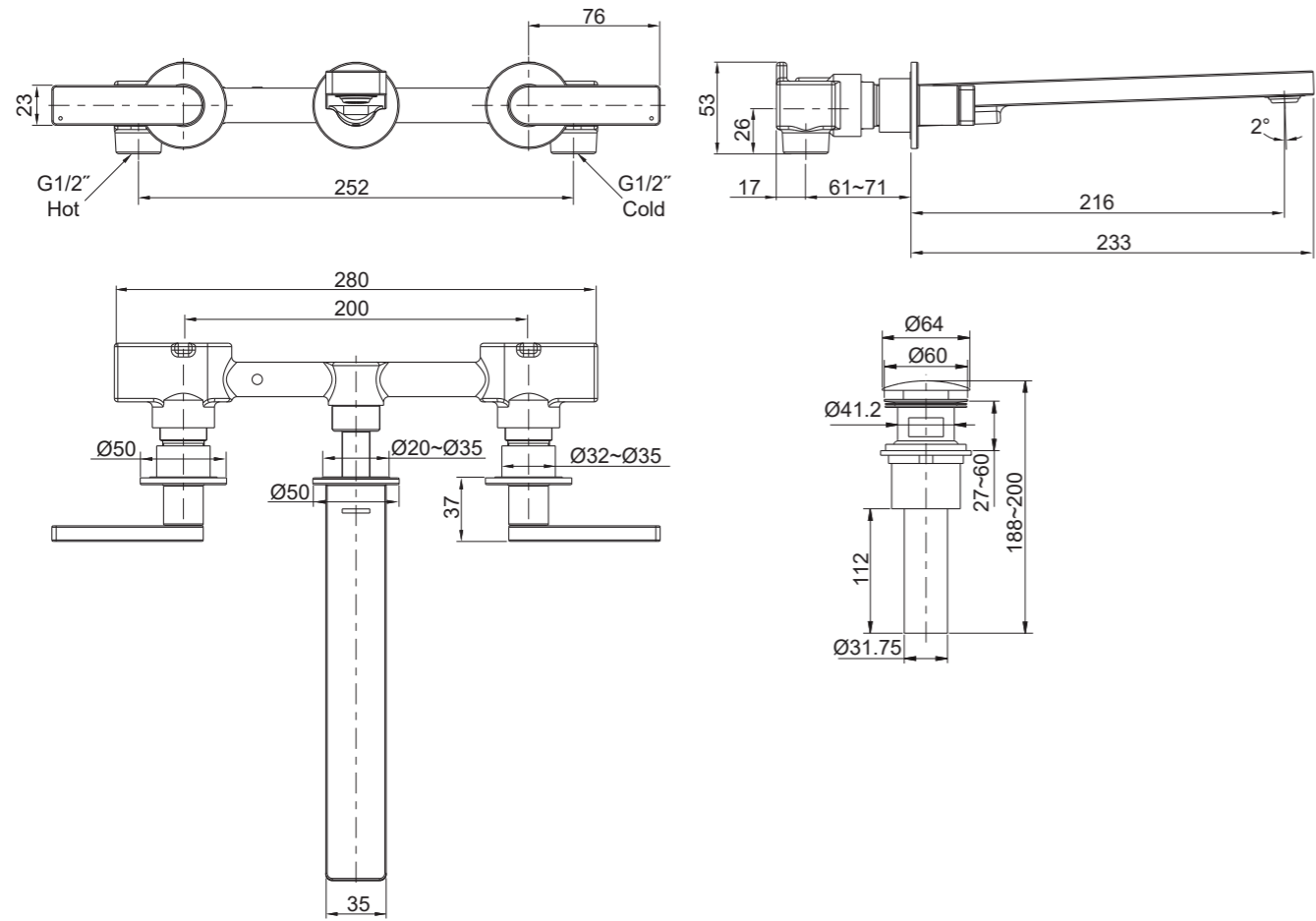
1. Flush the water supply pipes thoroughly to remove debris.
2. Inspect the supply tubing for damage and leakage. Replace and maintain as necessary.
3. Observe local plumbing codes.
4. Check for leaks before cover the pipes, repairs as needed.
5. Please ensure only apply water pressure test on the product, and empty the air in pipe and faucet thoroughly before the test. Please ensure test pressure below 0.8MPa (8 bar) and test duration within 30 minutes.

### HANDLE OPERATION

For 73067T-3, turn on the left handle clockwise for hot water, turn on the right handle counter-clockwise for cold water. For 73067T-4, turn on the left handle counter-clockwise for hot water, turn on the right handle clockwise for cold water.

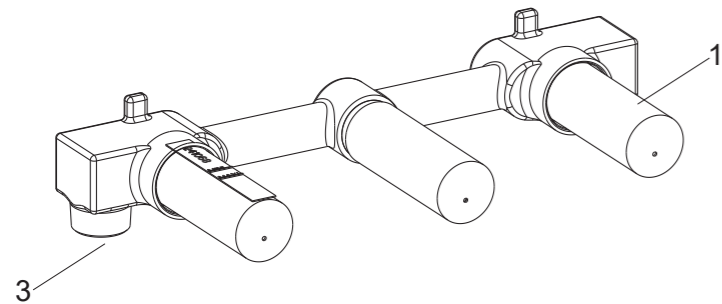
### ROUGH-IN DIMENSIONS





73067T-4

## INSTALLATION

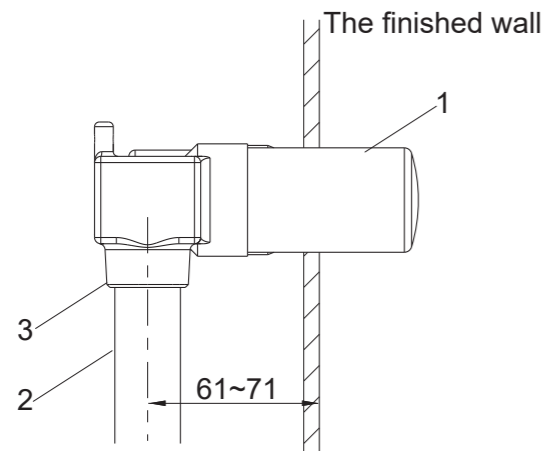


### How to Install the Yoke

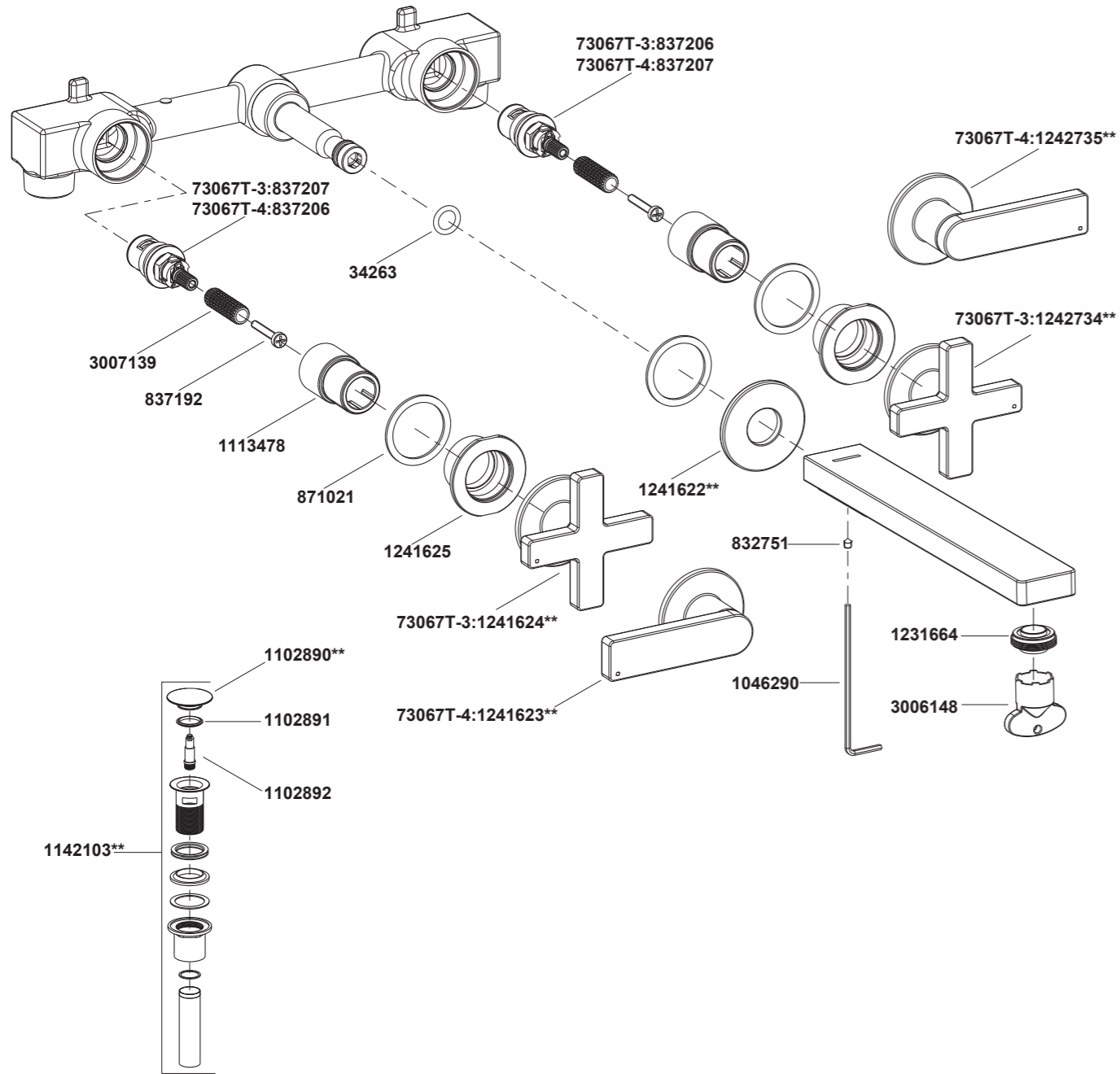
Do not take off guards(1) at this moment.

Connect the G1/2" water supply pipes(2) to the supply yoke(3).

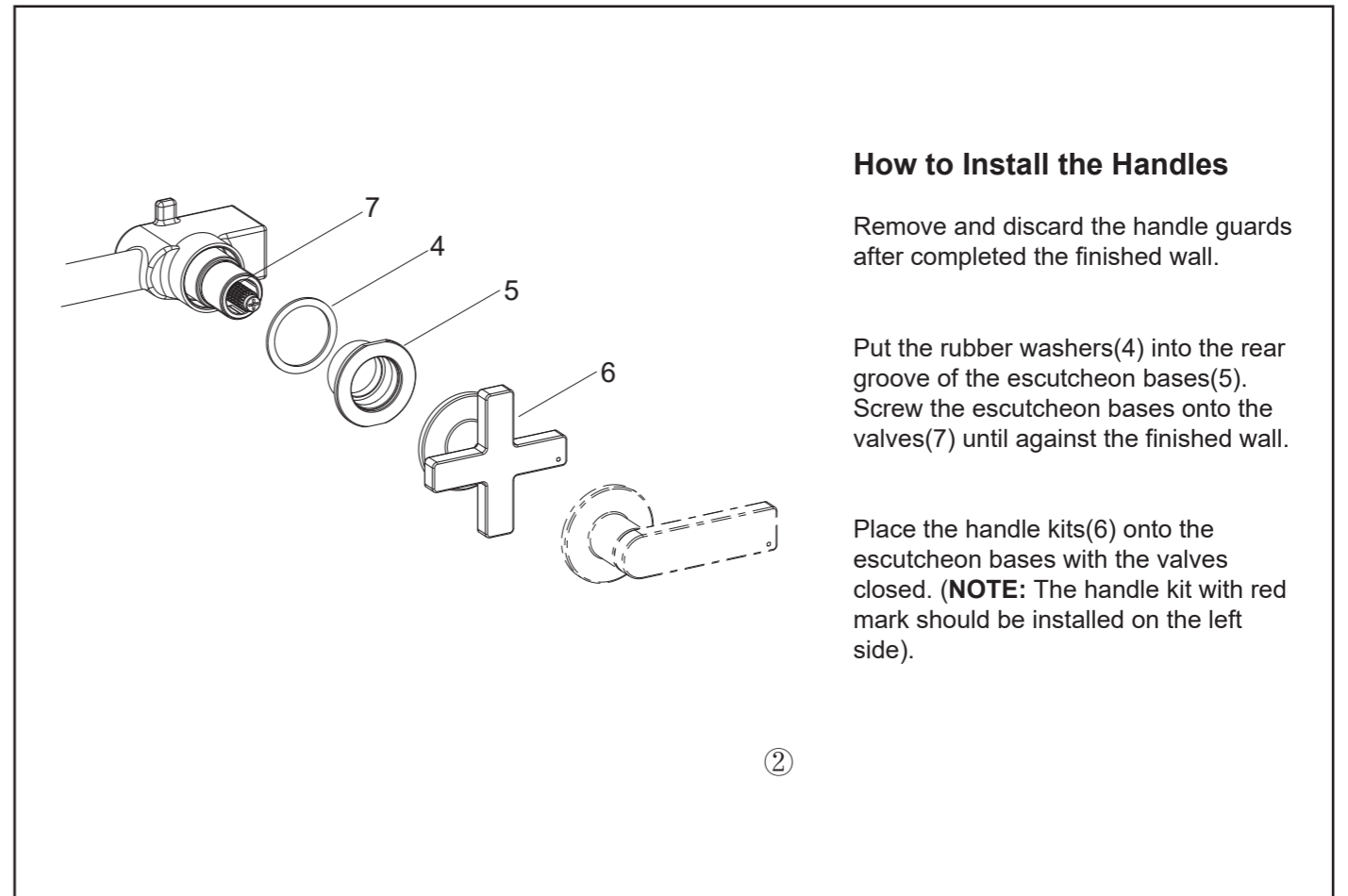
The finished wall must be between the mark Max and Min line on the guard.  
Make sure the left supply pipe is the hot supply and connected to the end with red mark.



73067T-3 Widespread Wall Mount Lavatory Faucet- Cross Handle  
73067T-4 Widespread Wall Mount Lavatory Faucet- Lever Handle



\*\*Color code must be specified when ordering.



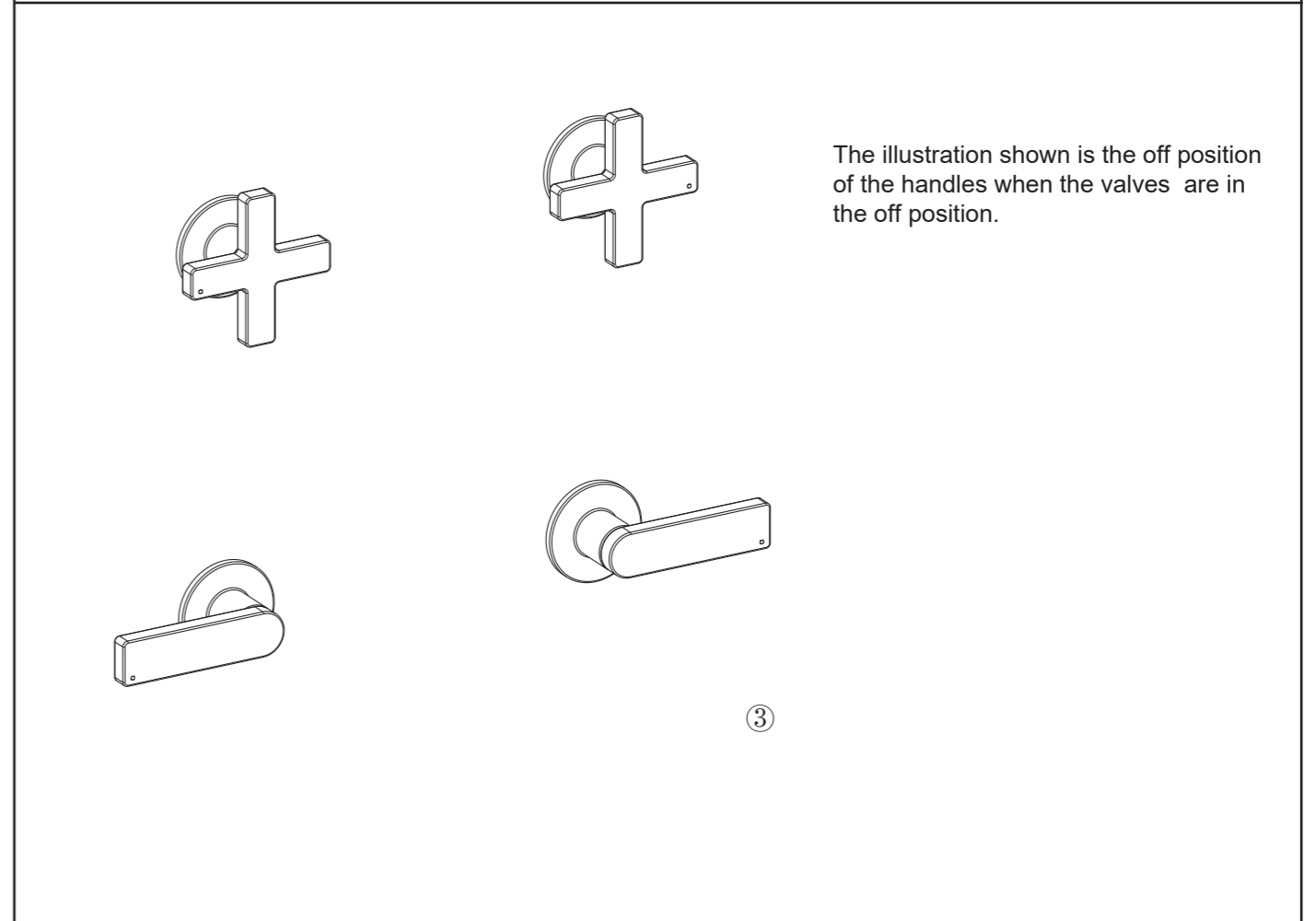
**How to Install the Handles**

Remove and discard the handle guards after completed the finished wall.

Put the rubber washers(4) into the rear groove of the escutcheon bases(5). Screw the escutcheon bases onto the valves(7) until against the finished wall.

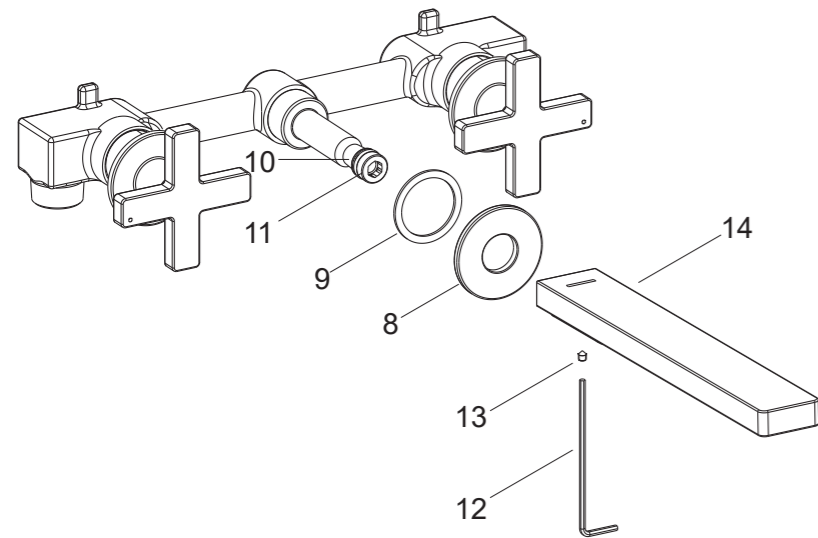
Place the handle kits(6) onto the escutcheon bases with the valves closed. **(NOTE: The handle kit with red mark should be installed on the left side).**

②



The illustration shown is the off position of the handles when the valves are in the off position.

③



### How to Install the Spout

Remove and discard the spout guards after completed the finished wall.

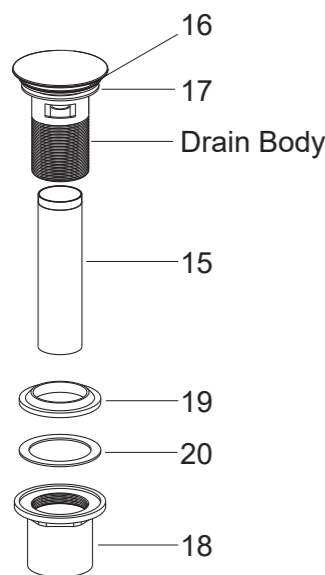
Insert the washer(9) into the groove of the escutcheon base(8).

Install the escutcheon base onto the connector(10) until against the finished wall. **NOTE:** Don't damage the O-ring(11) on connector.

Loosen the screw(13) in the spout kit(14) with 2mm hex wrench(12).

Install the spout kit to the connector with the spout outlet downward. Tighten the screw to secure the spout kit.

④



### How to Install the Drain

Remove the locknut(18), plastic washer(20), rubber gasket(19) and tailpiece(15) from the drain body. Supply enough tape or sealant to tailpiece thread. Reinstall the tailpiece.

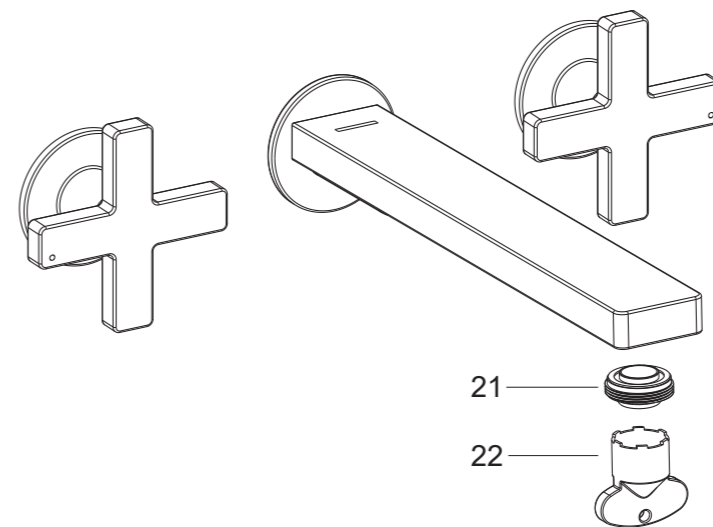
Insert the drain body into the lavatory. Install the rubber gasket(Tapered side up), plastic washer and locknut back to the drain body in turn. Tighten the locknut.

**NOTE:** If needed, apply a ring of plumbers putty or other sealants around the underside of the drain flange(16), instead of using rubber washer(17).

Do not reposition the drain after the locknut is tightened, or you may break the putty or sealant seal. Remove any excess putty.

⑤

## INSTALLATION CHECKOUT

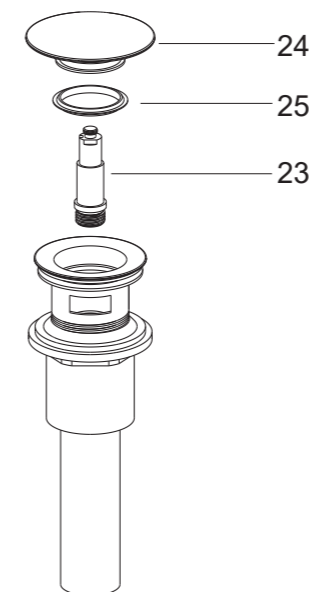


Ensure that all connections are tight. Ensure that the handles are in the off position.

Open the drain. Turn on main water supply and check for leaks. Repair as required.

Remove aerator(21) by key(22). Turn the faucet handles on and run hot and cold water through spout for about one minute to remove any debris.

Remove any debris from aerator. Shut faucet off and reinstall aerator.



### Replacing the Washer and Piston Kit

Turn counter clockwise to remove the stopper(24). Take out washer(25). Replace with a new one.

Turn counter clockwise to remove the piston kit(23). Replace with a new one. Reinstall stopper and washer.

## CLEANING INSTRUCTIONS

All Finishes: Clean the finish with mild soap and warm water. Wipe entire surface completely dry with clean soft cloth. Many cleaners may contain chemicals, such as ammonia, chlorine, toilet cleaner etc, which could adversely affect the finish and are not recommended for cleaning.

Do not use abrasive cleaners or solvents on Kohler faucets and fittings.