



Collection: WATERTILE

Finish*:



185 - Anodised Aluminium

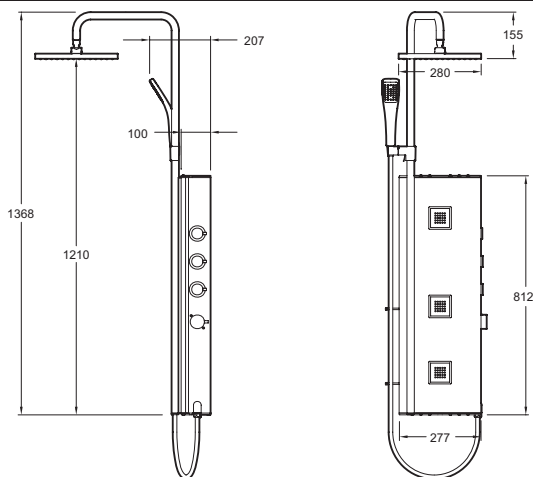
Main features:



Features

- **Weight:** 16.5 kg
- **Installation:** Wall-mount
- A shower panel including : 1 thermostatic unit with safety stop at 38°C
- 3 stop valves
- 1 square showerhead 280 mm (flow rate: 11 l/min)
- 3 pivoting bodysprays with anti-scale nozzles (Flow rate: 5 l/min)
- 1 EO small hand shower on rotating, sliding holder (flow rate: 5 l/min)
- 2 shelves in PMMA

Technical drawing



Product Specification: Thermostatic shower module. 3872D. Collection: WATERTILE. Weight: 16.5 kg. Installation: Wall-mount. A shower panel including : 1 thermostatic unit with safety stop at 38°C. 3 stop valves. 1 square showerhead 280 mm (flow rate: 11 l/min). 3 pivoting bodysprays with anti-scale nozzles (Flow rate: 5 l/min). 1 EO small hand shower on rotating, sliding holder (flow rate: 5 l/min). 2 shelves in PMMA.